



Multi-Purpose Unit - Towel Dispenser/Hand Dryer/Waste Receptacle

- Model 270 — Recessed**  
(recesses 5-1/2"; projects 3/4")
- Model 270-10 — Semi-Recessed**  
(recesses 3-1/2"; projects 2-3/4")
- Model 270-11 — Surface-Mounted**  
(projects 6-1/4")
- Contemporary Series — Satin Finish
- C-Fold/Multi-Fold/Single-Fold Towels

**Product Materials**

**CABINET:** 22 gauge stainless steel with exposed surfaces in architectural satin finish. Welded construction with seamless corners and burr-free edges.

**DOOR:** 18 gauge stainless steel. Warp resistant, with full length piano hinge and (2) tumbler locks keyed like other Bradley units.

**TOWEL DISPENSER:** 22 gauge stainless steel. Rolled edge on dispenser opening.

**HAND DRYER:** sensor activation. Universal voltage. European Export available.

- To comply with EU standards, purchase model with option -49 (required for CE certification only).

**WASTE CONTAINER LINER:** natural color linear low density polyethylene — Part #M44-081.

**Capacity**

Towel Dispenser — 710 single-fold, 500 multi-fold or 370 C-fold paper towels.  
Waste Container — 4.37 gal. (16.5 L)

**Operation**

Towel dispenser holds single-fold, multi-fold or C-fold towels without use of special adapter. Receptacle removable for easy servicing by unlocking door.

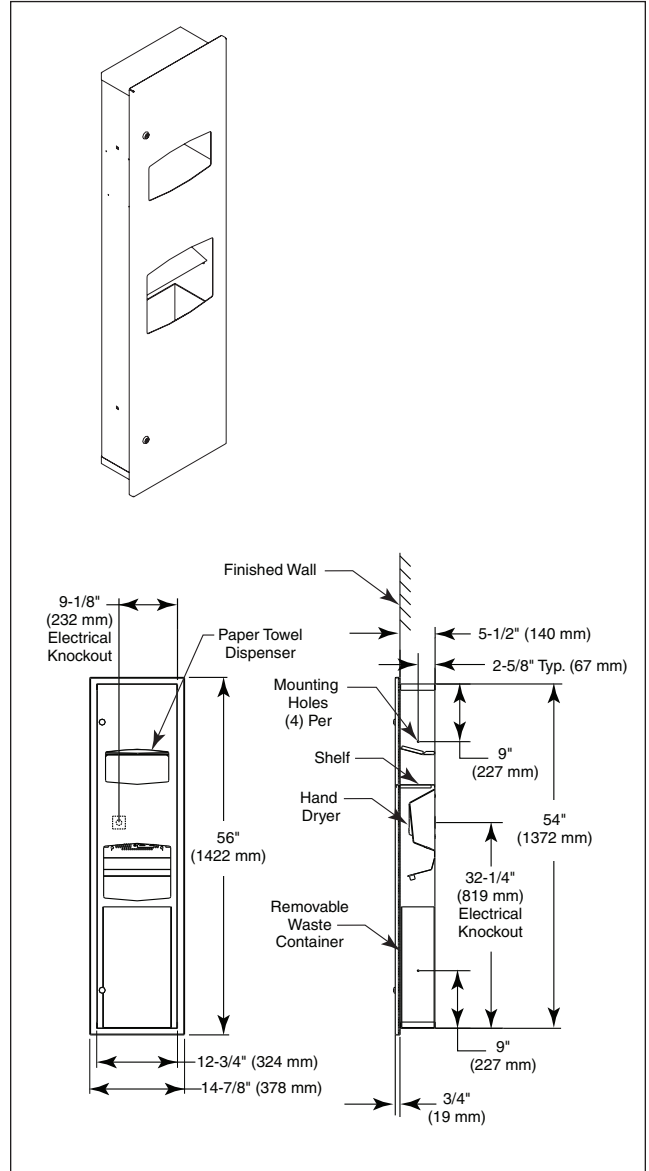
**Installation**

Verify all rough-in dimensions prior to installation. Recessed unit requires rough wall opening 13"W x 54 1/4"H x 5 1/2"D. Secure to framing with mounting screws (included) at holes provided. Shim at screw points as required. Surface-mounted units need to have holes drilled by installer. Mounting screws are included. Please refer to the installation instructions with the hand dryer for directions.

**Guide Specification**

Recessed combination towel dispenser, hand dryer, and waste receptacle shall be fabricated of 18 gauge stainless steel with exposed surfaces in satin finish. Warp-free door equipped with piano hinge and secured by (2) tumbler locks. Towel dispenser capacity — 710 single-fold, 500 multi-fold, or 370 C-fold towels. 4.37 gal. linear low density polyethylene waste receptacle included.

**Overall dimensions: 14 7/8"W x 56"H x 6 1/4"D.**



**Optional Features**

Feature	Suffix
<input type="checkbox"/> For Export (CE Certified)	-49



Multi-Purpose Unit - Towel Dispenser/Hand Dryer/Waste Receptacle

- Sensor Activation
- Universal Voltage
- Not recommended for high traffic, high vandal-prone applications

**Product Materials**

**Cover:** powder-coated aluminum alloy, white.  
**Motor:** 7500 RPM brush type.  
**Heating Element:** industrial strength coil wound on mica support protected by temperature limit control.  
**Electronic Control:** active infrared sensor.  
**Circuitry:** infrared red microprocessor control allows for multi-voltage application.

Volts	Amps	Watts	Frequency
115	10	1150	50 or 60 Hz
208	6	1150	50 or 60 Hz
240	5	1150	50 or 60 Hz

**Operation**

Place hands 3" - 6" below nozzle to activate dryer.

**Installation**

Verify all rough-in dimensions prior to installation. Refer to mounting hole locations shown on the left. Mark the location of the four mounting bolt holes. When two or more dryers are installed, they should be placed no closer than 24" (60 cm) from center to center. Use the security hex driver to loosen the cover screws. Remove the cover from the dryer. Attach the mechanism firmly to the wall using appropriate fasteners. Run the supply wiring to the dryer and connect it to the terminal block. The ground wire must be connected to the base plate. Replace the cover. Do not overtighten the screws. There may be a delay when power is first applied.

**Guide Specification**

Surface-mounted hand dryer shall protrude 4" (102mm), fabricated from powder coated cast aluminum. Contain Universal voltage capability. Dryer shall be activated by means of an infrared emitting/receiving electronic control device, automatically detecting hands when present. Dryer operates at 76 dB while delivering 134 CFM during user-controlled drying cycle.

**Overall dimensions: 9"W x 9¾"H x 4"D (including nozzle tip).**

