



Models 0196-1, 0196-2, 0196-3

Installation SEE OM FOR COMPLETE SPECIFICATIONS

NOTE: All Dimensions Inch [mm]

1. Read completely & save for future reference. Installation must be carried out in accordance with the current edition of the local wiring regulations code having jurisdiction. Installation should be performed only by a qualified electrician.
2. Place template against wall at desired height (see mounting height recommendations) and mark locations of 4 mounting holes and wire service entry at knockout (KO) location.
Note: For two or more dryers, dryers should be no closer than 24" [610] on center.
3. Remove and retain two (2) Main cover screws and Main cover.
4. a. **For in-wall (concealed) power supply -**
Provide supply wire to KO location according to local code and attach securely to chassis at KO with appropriate strain relief connector (not supplied).
b. **For Surface Mounted Conduit (exposed) power supply -**
Provide appropriate conduit to entry location according to local code and attach securely to chassis with correct strain relief connector (not supplied).
5. Drill four (4) holes at locations A, B, C and D of 5/16" Diameter x 1-3/8" deep [Ø8 x 35] if using wall anchors (not supplied). Install anchors flush with wall face, or install other fastening system suitable for wall conditions (not supplied). Attach dryer to wall. For wood wall/studs, use 1/4" dia. (M6) screws at length that will ensure 1" [25] min. stud penetration. For masonry walls, use expansion bolts or anchors (not supplied) for 1/4" dia (M6) screws to ensure penetration 1/4" [6] deeper than anchor. Shim if necessary to ensure base plate is flat against wall.
6. Connect supply and ground wires to terminal block where indicated or connect supply wires to terminal block where indicated and connect ground wire to base plate with ground screw.

Connections:

- A. Connect the live wire (colored Brown, Red or Black) to the terminal block marked "L".
 - B. Connect the neutral wire (colored Black, Blue, White or Grey) or connect the second live wire (colored Red or Orange) to the terminal block marked "N".
 - C. Connect the ground wire to the terminal block marked "⊕" or to the green screw marked "⊕".
Bare grounding (earth) wires should be sleeved with green and yellow or green tubing.
Colors of live and neutral wires depend on voltage of supply service and requirements of Building and Electrical Code having jurisdiction.
7. Replace cover and reinstall screws retained in Step 3 above. Do not over-tighten screws.

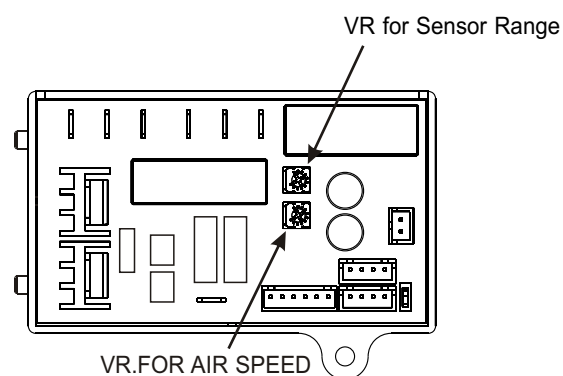
Switch off circuit before proceeding to remove cover for any adjustments !

Sensor range adjustment

1. The range is 3-15/16" to 9-1/16" [100 to 230], standard setting is 6-11/16" ± 25/32" [170 ± 20].
2. Clockwise(cw): Increases the sensing range(+)
3. Counterclockwise(ccw): Decreases the sensing range(-)
4. Use small Phillips head screwdriver or plastic flat blade probe to turn VR shaft on Circuit Board Module (CBM). **DO NOT OVERTURN!**

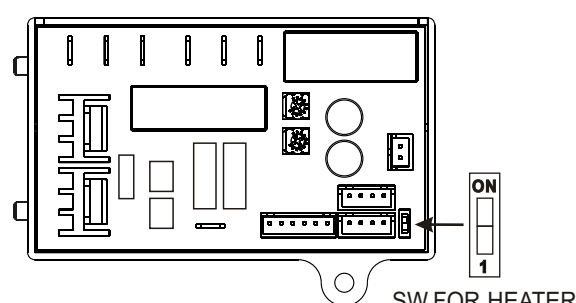
Warm air speed adjustment

Use small Philips head screwdriver or plastic flat blade probe to turn VR shaft. Turn CW to increase power to maximum (+). Turn tool gently CCW to reduce power as required(-).



Heater Element Switch ON/ OFF

1. Adjust the heater switch on the PCB with a small plastic or wood flat blade probe.
2. Slide the switch to "ON" : Enables heater on.
3. Slide the switch to "1" : Disables heater.



6-15/16" [176]

OUTLINE OF TOP COVER



A Models 0196-1, 0196-2, 0196-3 B

TRANSFER MOUNTING & KO HOLES CENTERS FROM THIS SHEET TO WALL FOR HOLES LOCATION

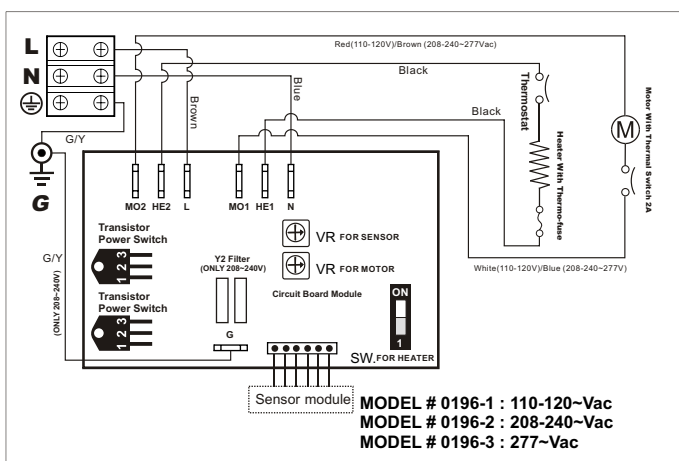
TOOLS NEEDED

1. #3 Phillips Driver Bit, 3-1/2" to 4" (89~102) long
2. Wire Cutters
3. Terminal Crimper
4. Drill/Driver
5. 5/32" Dia (Ø4) Drill Bit for mounting screws pilot holes in wood wall
6. 3/16" Dia (Ø5) Drill Bit for mounting screws

OUTLINE OF CHASSIS

OUTLINE OF MAIN COVER

9-3/4" [247.5]



7/8" dia. [Ø22] ELEC. K.O.

As a safety precaution before performing any maintenance that requires removal of cover elements make sure circuit breaker and power to unit is OFF.

4-7/16" [112.5]

7/32" [5.5]

Holes Location AFF for C-D Holes

General Purpose Suggested
50" [1270]

1-7/8" [48]

SURFACE CONDUIT ENTRY LOCATION

All Dim's INCH [mm]