

*Owner's Manual*  
*For*  
*Spark-Ignited Stationary Emergency Generators*  
*Residential and Commercial*

22 kW	2.4L
25 kW	1.5L
27 kW	2.4L
30 kW	1.5L
32 kW	2.4L
36 kW	2.4L
38 kW	2.4L
45 kW	2.4L
48 kW	5.4L
60 kW	2.4L

**⚠ DANGER!**



**NOT INTENDED FOR USE IN CRITICAL LIFE SUPPORT APPLICATIONS.**



**ONLY QUALIFIED ELECTRICIANS OR CONTRACTORS SHOULD ATTEMPT INSTALLATION!**



**DEADLY EXHAUST FUMES! OUTDOOR INSTALLATION ONLY!**

**This manual should remain with the unit.**

**This manual must be used in conjunction with the appropriate installation manual.**

Para español , visita : <http://www.generac.com/service-support/product-support-lookup>

Pour le français, visiter : <http://www.generac.com/service-support/product-support-lookup>

**Use this page to record important information about the generator set.**

For quick and easy reference, copy the information printed on the Unit Identification Label onto the sample label printed here. The Unit Identification Label is located on the base frame adjacent to the front engine mount on all models.

When contacting an Independent Authorized Service Dealer about parts and/or service, always provide the complete model number and serial number.

**Operation and Maintenance:** Proper maintenance and care of the generator ensures safe operation and longer service life while also keeping operating expenses to a minimum. It is the operator's responsibility to perform all safety checks, to make sure that all maintenance is performed promptly, and to have the equipment checked periodically by an Independent Authorized Service Dealer.

Normal maintenance, service and replacement of parts are the responsibility of the owner/operator, and are not considered defects in materials or workmanship within the terms of the warranty. Individual operating habits and usage may contribute to the need for additional maintenance or service.

When the generator requires servicing or repairs, contact an Independent Authorized Service Dealer for assistance. Authorized service technicians are factory-trained and are capable of handling all service needs.

**AUTHORIZED  
SERVICE DEALER LOCATION**

To locate the nearest  
INDEPENDANT AUTHORIZED SERVICE  
DEALER,

please call this number:

**1-800-333-1322**

or visit the dealer locator at:

[www.generac.com/Service/DealerLocator/](http://www.generac.com/Service/DealerLocator/)

**GENERATOR UNIT**

GEN MODEL:

MODEL:

SERIAL:

ALTERNATE

PROD DATE:

COUNTRY OF ORIGIN:

**GENERATOR DATA**

KW	KVA	HZ	PF
UPSIZE	ALT	KW	KVA
VOLT		/	AMP
ENG RPM		ALT RPM	
BREAKER	KW	AMP	
X"D	X"D		

3 PHASE DELTA

UNBALANCED LOAD CAPACITY-25%

ROTOR	STATOR	CLASS
WINDINGS @	AMBIENT	TEMP
		MANUF. LOC.

WAUKESHA, WI USA

OK0876

**SAMPLE LABEL**

# Table of Contents

---

## ***Section 1 Safety***

<b>1.1 Introduction</b> .....	<b>1</b>
<b>1.2 Safety Information</b> .....	<b>2</b>
<b>1.3 General Hazards</b> .....	<b>2</b>
<b>1.4 Exhaust Hazards</b> .....	<b>3</b>
<b>1.5 Electrical Hazards</b> .....	<b>3</b>
<b>1.6 Fire Hazards</b> .....	<b>3</b>
<b>1.7 Explosion Hazards</b> .....	<b>3</b>

## ***Section 2 Specifications***

<b>2.1 Emission Information</b> .....	<b>5</b>
2.1.1 Emissions Data Plate .....	5
<b>2.2 Specifications</b> .....	<b>6</b>
<b>2.3 Engine Oil Recommendations</b> .....	<b>7</b>
<b>2.4 Weather and Maintenance Kits</b> .....	<b>8</b>
<b>2.5 Coolant Water Treatment</b> .....	<b>8</b>
<b>2.6 Fuel Requirements</b> .....	<b>8</b>
<b>2.7 Reconfiguring the Fuel System</b> .....	<b>9</b>
2.7.1 Fuel Conversion Procedure from NG to LPV .....	9
2.7.2 Change Fuel Selection .....	10
<b>2.8 Battery Requirements</b> .....	<b>10</b>
2.8.1 Battery Charger .....	10
<b>2.9 Corrosion Protection</b> .....	<b>10</b>

## ***Section 3 Activation and Startup***

<b>3.1 Orientation</b> .....	<b>11</b>
<b>3.2 Remove Side Access Panels</b> .....	<b>11</b>
<b>3.3 Install Battery</b> .....	<b>12</b>
<b>3.4 Open Viewing Window</b> .....	<b>12</b>
<b>3.5 Activate Unit</b> .....	<b>13</b>
<b>3.6 Start and Run Engine</b> .....	<b>14</b>
<b>3.7 Operational Checks</b> .....	<b>15</b>
3.7.1 Self Test .....	15
3.7.2 Check Manual Transfer Switch Operation .....	15
3.7.3 Electrical Checks .....	15
3.7.4 Test Generator Under Load .....	16
3.7.5 Check Automatic Operation .....	16
<b>3.8 Final Instructions</b> .....	<b>17</b>

## **Section 4 Operation**

<b>4.1 Control Panel</b> .....	<b>19</b>
<b>4.2 Auto/Manual/Off</b> .....	<b>19</b>
<b>4.3 Menu Navigation</b> .....	<b>20</b>
<b>4.4 Alarm/Warning Conditions</b> .....	<b>23</b>
<b>4.5 Change Time and Date</b> .....	<b>23</b>
<b>4.6 Programmable Timers</b> .....	<b>23</b>
4.6.1 Dealer Programmable .....	23
4.6.1.1 Exercise Time .....	23
4.6.2 User Programmable .....	24
4.6.2.1 Start-Up Delay Timer .....	24
4.6.2.2 Warm-Up Delay Timer .....	24
<b>4.7 USB Port for Firmware Updates</b> .....	<b>24</b>
<b>4.8 Battery Charger</b> .....	<b>24</b>
<b>4.9 Transfer Switch Automatic Operation</b> .....	<b>24</b>
4.9.1 Automatic Sequence of Operation .....	25
4.9.1.1 Utility Failure .....	25
4.9.1.2 Cranking.....	25
4.9.1.3 Load Transfer.....	25
<b>4.10 Transfer Switch Manual Operation</b> .....	<b>25</b>
4.10.1 Transfer to Generator Power .....	26
4.10.2 Transfer Back to Utility Power .....	26

## **Section 5 Maintenance**

<b>5.1 Component Locations</b> .....	<b>27</b>
<b>5.2 Access Panels</b> .....	<b>28</b>
5.2.1 Removal .....	28
5.2.2 Installation .....	28
<b>5.3 Service Maintenance Intervals</b> .....	<b>29</b>
<b>5.4 Remove From Service</b> .....	<b>30</b>
<b>5.5 30 Hour Break-In</b> .....	<b>30</b>
<b>5.6 Daily Maintenance</b> .....	<b>30</b>

<b>5.7 Schedule A Maintenance</b> .....	<b>31</b>
5.7.1 Schedule A Maintenance Item Locations .....	31
5.7.2 Preliminary Instructions .....	31
5.7.3 Check Enclosure Louvers .....	31
5.7.4 Check Fuel Lines .....	31
5.7.5 Check Coolant Level and Hoses .....	32
5.7.6 Check Radiator for Clogging .....	32
5.7.7 Check Lubricating Oil Level and Drain Hose .....	32
5.7.8 Replace Lubricating Oil and Oil Filter .....	33
5.7.9 Check Battery Condition/Fluid Level .....	37
5.7.9.1 Check Condition and Clean .....	37
5.7.9.2 Check Fluid Level .....	37
5.7.9.3 Check State of Charge.....	37
5.7.9.4 Battery Replacement .....	37
5.7.10 Check and Adjust Accessory/Drive Belt .....	38
5.7.10.1 Check.....	38
5.7.10.2 Adjust.....	38
5.7.11 Replace Air Filter Element .....	39
5.7.12 Final Instructions .....	40
<b>5.8 Schedule B Maintenance</b> .....	<b>41</b>
5.8.1 Schedule B Maintenance Item Locations .....	41
5.8.2 Drain/Flush Coolant System .....	41
5.8.3 Clean/Gap/Replace Spark Plugs .....	42
5.8.4 Final Instructions .....	43
<b>5.9 Schedule C Maintenance</b> .....	<b>44</b>
<b>5.10 Return To Service</b> .....	<b>44</b>
<b>5.11 Lube Oil Maintainer System</b> .....	<b>45</b>
5.11.1 Description .....	45
5.11.2 Fill Oil Supply Tank .....	45
5.11.3 Test Functionality .....	46
5.11.4 Shutoff Valve .....	46
<b>Section 6 Troubleshooting</b>	
<b>6.1 Engine Troubleshooting</b> .....	<b>47</b>
<b>6.2 Controller Troubleshooting</b> .....	<b>48</b>
<b>6.3 Removal From Service During Utility Outages</b> .....	<b>49</b>
<b>6.4 Storage</b> .....	<b>49</b>
6.4.1 Prepare For Storage .....	49
6.4.2 Return From Storage .....	50
<b>6.5 Attention After Submersion</b> .....	<b>51</b>

---

**⚠ WARNING**

California Proposition 65. Engine exhaust and some of its constituents are known to the state of California to cause cancer, birth defects, and other reproductive harm. (000004)

---

**⚠ WARNING**

California Proposition 65. This product contains or emits chemicals known to the state of California to cause cancer, birth defects, and other reproductive harm. (000005)

---

# Section 1 Safety

---

## 1.1 — Introduction

Thank you for purchasing this stationary automatic standby generator set. Every effort was made to ensure that the information in this manual was both accurate and complete at the time it was released. However, the manufacturer reserves the right to change, alter or otherwise improve this product at any time without prior notice.

This generator is designed to automatically supply electrical power to operate critical loads during a utility power failure. The unit is factory installed in an all-weather metal enclosure and **is intended exclusively for outdoor installation** using either Natural gas (NG) or Liquid Propane vapor (LPV).

**NOTE: All 22-48 kW units are field convertible between NG or LPV, while 60 kW units are built per fuel requirements and are not field convertible.**

When properly sized, the generator is suitable for supplying typical residential/commercial loads, such as induction motors (sump pumps, refrigerators, freezers, air conditioners, furnaces, etc.), electronic components (computers, monitors, televisions, etc.), lighting, microwaves, and other residential and business loads.

**READ THIS MANUAL THOROUGHLY:** The operator is responsible for proper and safe use of this equipment. Read and thoroughly understand the contents of this manual before attempting to use the equipment. If any portion of this manual is not fully understood, contact the nearest Independent Authorized Service Dealer for assistance.

**SAVE THESE INSTRUCTIONS:** The manufacturer suggests that this manual and the rules for safe operation be copied and posted near the generator installation site. Safety should be stressed to all operators and potential operators of this equipment.

**SAFETY:** Throughout this manual, and on tags and decals affixed to the unit, DANGER, WARNING, CAUTION and NOTE blocks are used to alert personnel to special instructions about a particular operation, function or service that may be hazardous if performed incorrectly or carelessly. Observe them carefully. Their definitions are as follows:

### **⚠ DANGER!**

**INDICATES A HAZARDOUS SITUATION OR ACTION WHICH, IF NOT AVOIDED, WILL RESULT IN DEATH OR SERIOUS INJURY.**

### **⚠ WARNING!**

**Indicates a hazardous situation or action which, if not avoided, could result in death or serious injury.**

### **⚠ CAUTION!**

**Indicates a hazardous situation which, if not avoided, could result in minor or moderate injury.**

**NOTE:** Notes contain additional information important to an operation or procedure.

Four commonly used safety symbols accompany the DANGER, WARNING and CAUTION blocks. The type of information each indicates is as follows:



This symbol points out important Safety Information that, if not followed, could endanger personal safety and/or property of others.



This symbol points out a potential Explosion Hazard.



This symbol points out a potential Fire Hazard.









This symbol points out a potential Electrical Shock Hazard.

These “Safety Alerts” cannot eliminate the hazards that they signal. Strict compliance with these special instructions, plus common sense, are major accident prevention measures.

## 1.2 — Safety Information

Study these safety rules carefully before operating or servicing this equipment. Become familiar with this Owner's Manual and with the unit. The generator can operate safely, efficiently and reliably only if it is properly installed, operated and maintained. Many accidents are caused by failing to follow simple rules or precautions.

The manufacturer cannot anticipate every possible circumstance that might involve a hazard. The warnings in this manual, and on tags and decals affixed to the unit are not all-inclusive. If using a procedure, work method or operating technique the manufacturer does not specifically recommend, ensure that it is safe for personnel. Also make sure the procedure, work method or operating technique used does not render the generator unsafe.

-  **Despite the safe design of this generator, operating this equipment imprudently, neglecting its maintenance or being careless can cause possible injury or death. Permit only responsible and capable persons to install, operate and maintain this equipment.**
-  **Potentially lethal voltages are generated by these machines. Ensure steps are taken to make the machine safe before attempting to work on the generator.**
-  **Parts of the generator are rotating and/or hot during operation. Exercise care near a running generator.**
-  **The installation of this generator must always comply with applicable codes, standards, laws and regulations.**
-  **A running generator gives off DEADLY carbon monoxide, an odorless, colorless, poisonous gas. Breathing carbon monoxide can cause dizziness, throbbing temples, nausea, muscular twitching, headache, vomiting, weakness, sleepiness, inability to think clearly, fainting, unconsciousness or even death.**
-  **The control panel for this unit is intended to be operated by qualified service personnel only.**

## 1.3 — General Hazards

- For safety reasons, this equipment should only be installed, serviced and repaired by a Service Dealer or other competent, qualified electrician or installation technician who is familiar with applicable codes, standards, regulations and product Installation Manual guidelines. The operator also must comply with all such codes, standards, regulations and product Installation Manual guidelines.
- The engine exhaust fumes contain carbon monoxide, which can be DEADLY. This dangerous gas, if breathed in sufficient concentrations, can cause unconsciousness or even death. DO NOT alter or add to the exhaust system or do anything that might render the system unsafe or in noncompliance with applicable codes and standards.
- Install a carbon monoxide alarm indoors, according to manufacturer's instructions/recommendations.
- Adequate, unobstructed flow of cooling and ventilating air is critical for correct generator operation. Do not alter the installation or permit even partial blockage of ventilation provisions, as this can seriously affect safe operation of the generator. The generator MUST be installed and operated outdoors only.
- Keep hands, feet, clothing, etc. away from drive belts, fans, and other moving or hot parts. Never remove any drive belt or fan guard while the unit is operating.
- When working on this equipment, remain alert at all times. Never work on the equipment when physically or mentally fatigued.
- Inspect the generator regularly, and contact the nearest Dealer for parts needing repair or replacement.
- Before performing any maintenance on the generator, remove the control panel fuse and disconnect the Negative (-) battery cable to prevent accidental startup. When disconnecting battery cables always remove the NEGATIVE (-) cable first. When reconnecting the cables, connect the POSITIVE (+) cable first.
- Never use the generator or any of its parts as a step. Stepping on the unit can stress and break parts, and may result in dangerous operating conditions from leaking exhaust gases, fuel leakage, oil leakage, etc.



## 1.4 — Exhaust Hazards

- Generator engine exhaust contains DEADLY carbon monoxide, an odorless, colorless, poisonous gas. Breathing carbon monoxide can cause dizziness, throbbing temples, nausea, muscular twitching, headache, vomiting, weakness, sleepiness, inability to think clearly, fainting, unconsciousness or even death. If any carbon monoxide poisoning symptom is experienced, move into fresh air and immediately seek medical attention.
- This generator is designed for OUTDOOR installation ONLY. Never operate the generator inside any garage or other enclosed space.

## 1.5 — Electrical Hazards

- All generators covered by this manual produce dangerous electrical voltages that can cause fatal electrical shock. Utility power delivers extremely high and dangerous voltages to the transfer switch, as does the standby generator when it is in operation. Avoid contact with bare wires, terminals, connections, etc. while the unit is running. Ensure all appropriate covers, guards and barriers are in place, secured and/or locked before operating the generator. If work must be done around an operating unit, stand on an insulated, dry surface to reduce potential shock hazard.
- Do not handle any kind of electrical device while standing in water, while barefoot, or while hands or feet are wet. DANGEROUS ELECTRICAL SHOCK MAY RESULT.
- The generator may crank and start at any time when utility power is lost. When this occurs, load circuits are transferred to the STANDBY (generator) power source. Before working on the generator, always move the Main Circuit Breaker switch on the control panel down to the OFF (Open) position, press the OFF key on the control panel keypad, remove the 7.5 amp fuse, and disconnect the battery negative cable (black) from the battery negative (-) terminal.
- In case of accident caused by electric shock, immediately shut down the source of electrical power. If this is not possible, attempt to free the victim from the live conductor. AVOID DIRECT CONTACT WITH THE VICTIM. Use a nonconducting implement, such as a dry rope or board, to free the victim from the live conductor. If the victim is unconscious, apply first aid and get immediate medical help.
- Never wear jewelry when working on this equipment. Jewelry can conduct electricity resulting in electric shock, or may get caught in moving parts resulting in injury.

## 1.6 — Fire Hazards

- For fire safety, the generator must be installed and maintained properly. Installation MUST always comply with applicable codes, standards, laws, regulations and product Installation Manual guidelines. Adhere strictly to local, state, and national electrical and building codes. Comply with regulations of the Occupational Safety and Health Administration (OSHA). Also, ensure that the generator is installed in accordance with the manufacturer's instructions and recommendations. Following proper installation, do nothing that might alter a safe installation and render the unit in noncompliance with the aforementioned codes, standards, laws and regulations.
- Keep a fire extinguisher near the generator at all times. Extinguishers rated "ABC" by the National Fire Protection Association are appropriate for use on the standby generator. Keep the extinguisher properly charged and be familiar with its use. Consult the local fire department with any questions pertaining to fire extinguishers.

## 1.7 — Explosion Hazards

- Do not smoke around the generator. Wipe up any fuel or oil spills immediately. Ensure that no combustible materials are left in the generator compartment, or on or near the generator as FIRE or EXPLOSION may result. Keep the area surrounding the generator clean and free from debris.

### **⚠ WARNING!**



**If this generator is used to power electrical load circuits normally powered by a utility power source, it is required by code to install a transfer switch. The transfer switch must effectively isolate the electrical system from the utility distribution system when the generator is operating (NEC 702). Failure to isolate an electrical system by such means will result in damage to the generator and also may result in injury or death to utility power workers due to backfeed of electrical energy.**

**This page intentionally left blank.**

## Section 2 Specifications

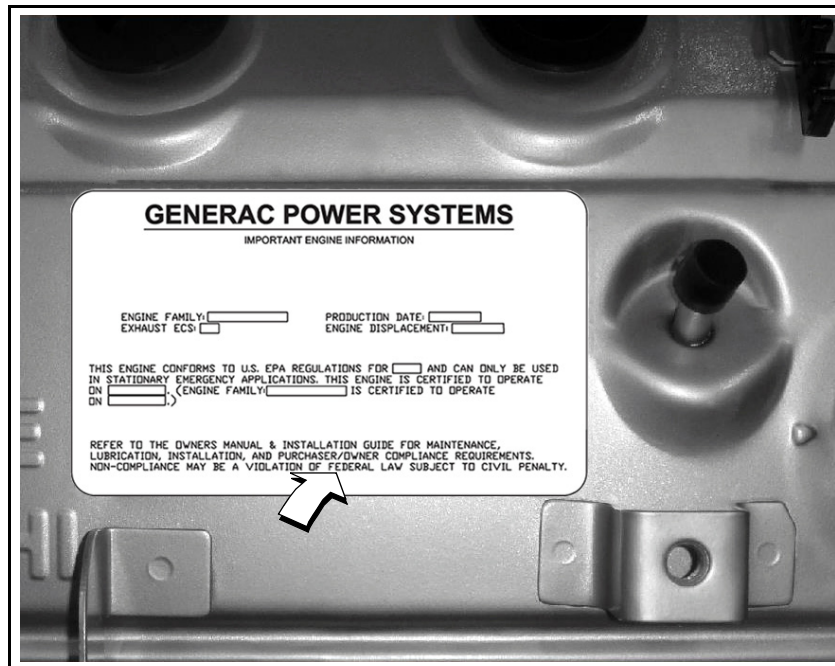
---

### 2.1 — Emission Information

The U.S. Environmental Protection Agency (EPA) requires that the generator comply with exhaust emission standards. The generator is certified to meet the applicable EPA emission levels, and is certified for use as a stationary engine for standby power generation. Any other use may be a violation of federal and/or local laws. To ensure that the engine complies with the applicable emission standards for the duration of the engine's life, it is important to follow the maintenance specifications in Section 5.

#### 2.1.1— Emissions Data Plate

A data plate is attached to the valve cover to verify compliance with EPA emissions regulations.



**Figure 2-1. Emissions Data Plate (Sample)**

## 2.2 — Specifications

Model	22 kW	25 kW	27 kW	30 kW	32 kW	36 kW	38 kW	45 kW	48 kW	60 kW	
Engine	2.4L	1.5L	2.4L	1.5L	2.4L	2.4L	2.4L	2.4L	5.4L	2.4L	
<b>Generator Set</b>											
Rotor Insulation	Class H				Class F	Class H	Class F	Class H	Class F	Class H	
Stator Insulation	Class H										
Dimensions L x W x H	62.2 x 30.6 x 38.6				76.8 x 35 x 46.1						
Product Weight W/ Steel Enclosure (lbs)	–	865	–	895	–		1255		–	1283	
Product Weight W/ Aluminum Enclosure (lbs)	900	777	940	807	1225	1235	1202		1555	1230	
Shipping Weight W/ Steel Enclosure (lbs)	–	931	–	961	–		1355		–	1383	
Shipping Weight W/ Aluminum Enclosure (lbs)	966	843	1006	873	1325	1335	1302	1302	1655	1330	
<b>Engine System</b>											
Type	In-Line							V-type	In-Line		
Dry Weight (lbs)	287	243	287	243	287			527	287		
Bore (in/mm)	3.41/86.5	3.05/77.4	3.41/86.5	3.05/77.4	3.41/86.5			3.55/90.2	3.41/86.5		
Stroke (in/mm)	3.94/100	3.13/79.5	3.94/100	3.13/79.5	3.94/100			4.17/105.9	3.94/100		
Displacement (liters)	2.4	1.5	2.4	1.5	2.4			5.4	2.4		
Firing Order	1-3-4-2							1-3-7-2-6-5-4-8	1-3-4-2		
Direction or Rotation	CW From Flywheel										
Compression Ratio	9.5:1	11:1	9.5:1	11:1	9.5:1			9:1	9.5:1		
Spark Plug Gap (mm)	1.07-1.17	0.9	1.07-1.17	0.9	0.71	1.07-1.17	0.71	1.07-1.17	1.29-1.45	0.71	
<b>Cooling System</b>											
Water Pump	Belt Driven										
Fan Speed (rpm)	1980	2484	1980	2484	1500	1865	1500	1865	1954	2100	
Fan Diameter (inches)	18.1	17.7	18.1	17.7	22.0						
Fan Mode	Pusher				Puller						
Air Flow (ft <sup>3</sup> /min.)	2400	2490	2400	2490	2200	2725	2200	2725	4350	3280	
Coolant Capacity (gallons/ liters)	2.5/9.5	2.0/7.6	2.5/9.5	2.0/7.6	2.5/9.5				3.0/11.4	2.5/9.5	
Heat Rejection to Coolant (Btu/h)	99,000	112,000	105,000	135,000	145,000	193,000	145,000	193,000	186,000	270,000	
Max Operating Air Temp on Radiator	150° F (60° C)										
Max Ambient Temp	140° F (50° C)										
Thermostat (Full Open)	190° F (88° C)										
<b>Lubricating System</b>											
Oil Pump Type	Gear										
Oil Filter Type	Full Flow Spin-On Cartridge										
Crankcase Oil Capacity (quarts/liters)	4/3.8							6/5.7	4/3.8		
Lubricating Oil Type	5W-30										
<b>Air Intake System</b>											
Type	Naturally Aspirated				Turbo/Aftercooled	Naturally Aspirated	Turbo/Aftercooled	Naturally Aspirated		Turbo/Aftercooled	
<b>Exhaust System</b>											

Model	22 kW	25 kW	27 kW	30 kW	32 kW	36 kW	38 kW	45 kW	48 kW	60 kW
Engine	2.4L	1.5L	2.4L	1.5L	2.4L	2.4L	2.4L	2.4L	5.4L	2.4L
Breather	Closed				Open	Closed	Open	Closed		Open
Exhaust Flow at Rated Output 60 Hz	165 cfm	203 cfm	180 cfm	237 cfm	300 cfm	420 cfm	300 cfm	420 cfm	414 cfm	494 cfm
Exhaust Temperature at Rated Output	900° F	1100° F	1000° F	1130° F	1075° F	1100° F	1075° F	1100° F	1025° F	1050° F
<b>Electrical System</b>										
Battery Charge Alternator	12V, 30 Amp	12V, 15 Amp	12V, 30 Amp	12V, 15 Amp	12V, 30 Amp					
Recommended Battery	Group 26								Group 24F	Group 26
Static Battery Charger	2.5 Amp									
<b>Governor System</b>										
Type	Electronic									
Frequency Regulation	Isochronous									
Steady State Regulation	+/- 0.25%									
<b>Voltage Regulator</b>										
Type	Electronic									
Sensing Phase	Single									
Regulation	+/- 1%									
<b>Fuel System</b>										
Operating Pressure	5-14" WC									

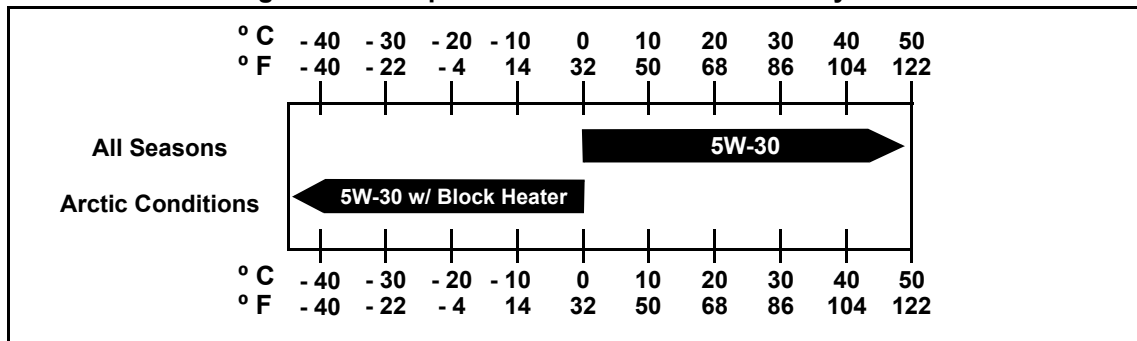
A complete specification sheet is included in the documentation provided with the unit at the time of purchase. For additional copies, consult your local Independent Authorized Service Dealer.

### 2.3 — Engine Oil Recommendations

To maintain the product warranty, use only genuine Generac replacement parts. Generac maintenance kits include both the oil filter and air filter, and can be obtained through any Authorized Dealer.

Although the unit is filled at the factory with 5W-20 engine oil, replace with 5W-30 engine oil at the first oil change which is due at 30 hours break-in. Select a high-quality detergent oil classified “SJ or SH.” Detergent oils keep the engine cleaner and reduce carbon deposits. After break-in, a synthetic oil that meets or exceeds SAE specifications is recommended. Once synthetic oil is used, it should be used for the life of the generator. It is not recommended to go back to a mineral oil. Do not use special additives.

**NOTE: If not already equipped, it is strongly recommended to use the optional Cold Weather Start Kit for temperatures below 32°F. The oil grade for temperatures below 32°F is 5W-30 synthetic oil.**



**Figure 2-2. Lubricating Oil Recommendations**

## 2.4 — Weather and Maintenance Kits

To keep the generator running at its peak, the following kits are offered:

- Cold Weather Kit
  - Recommended for climates with temperatures below 32°F
- Extreme Cold Weather Kit
  - Recommended Block Heater Kit for protection in temperatures below 32°F
- Scheduled Maintenance Kit
  - Kit includes the recommended parts to maintain the generator. Refer to the Service Schedule for regular maintenance intervals.

For additional information, or to order any of these kits, please contact an Independent Authorized Service Dealer or Customer Service Representative.

## 2.5 — Coolant Water Treatment

Use of improper coolants can damage the engine cooling system. Use demineralized water or distilled water for best results. Hard water causes scale deposits, which reduces cooling efficiency and raises internal temperatures, possibly leading to engine damage. Use an anti-corrosive to prevent rot in summer and anti-freeze to prevent freezing in winter.

Dilute the anti-freeze based on a theoretical temperature that is 9-18°F (5-10°C) below the lowest temperature expected in the area. A ratio of 40-60% is most common range.

<b>Freezing Point °F (°C)</b>	-13 (-25)	-31 (-35)	-58 (-50)
<b>Coolant (% Volume)</b>	40	50	60
<b>Water (% Volume)</b>	60	50	40

**NOTE:** Use only Peak Fleet-Charge® 50/50 ethylene glycol type coolant (available from any authorized dealer).

### ⚠ CAUTION!



Do not use propylene glycol type coolant. Using the wrong coolant, mixing different types of coolant, or even mixing different brands of the correct type of coolant, can produce unsatisfactory results, possibly leading to engine damage.

## 2.6 — Fuel Requirements

The Stationary Emergency Generator may be equipped with one of the following fuel systems:

- Natural Gas Fuel System
- Propane Vapor (LPV) fuel system

Recommended fuels must have a BTU content of at least 1,000 BTUs per cubic foot (37.26 megajoules per cubic meter) for NG, or at least 2,520 BTUs per cubic foot (93.8 megajoules per cubic meter) for LPV. If converting to LPV from NG, a minimum LP tank size of 250 gallons (946 liters) is recommended. See the Installation Manual for complete details and procedures.

## 2.7 — Reconfiguring the Fuel System

While some models are created fuel specific for either Natural gas (NG) or Liquid Propane vapor (LPV) and are not fuel convertible, others are configured at the factory for NG, but are field convertible to LPV. Units fitted with a dual fuel carburetion system are generally configured for the selected fuel source during installation.

To reconfigure the fuel system, change the jet in the demand regulator, and then navigate to the appropriate menu to assign the new fuel type. Before proceeding, be aware that the fuel conversion software is password protected.

**NOTE: Generac recommends that fuel conversion be done by an authorized dealer or a qualified, competent installation contractor or electrician who is familiar with applicable codes, standards and regulations.**

### 2.7.1— Fuel Conversion Procedure from NG to LPV

1. Turn off the main gas supply.
2. Remove battery negative cable (black) from battery negative (-) terminal.
3. Remove carburetor fuel hose from outlet port. See Figure 2-3.
4. Remove screw at front of power wire connector and pull connector from fuel solenoid.
5. Expand spring clamp on fuel enrichment hose and remove from hose barb.

**NOTE: On 5.4L (48 kW) units, remove two screws (with flat washers, lock washers and hex nuts) to release fuel inlet flange from frame rail. This will provide adequate access to the regulator for jet conversion.**

6. Remove black pipe assembly from outlet port. If clearance is not sufficient, first remove fuel solenoid assembly.
7. Rotate NG fuel jet counterclockwise to remove from the outlet port.

**NOTE: Both the NG and LP fuel jets are slotted, so that they may be removed and installed using an ordinary flat blade screwdriver.**

8. Rotate LP fuel jet counterclockwise to remove from the jet keeper port.

**NOTE: The orifice size is stamped on each jet. The jet with the larger orifice is used for running on NG.**

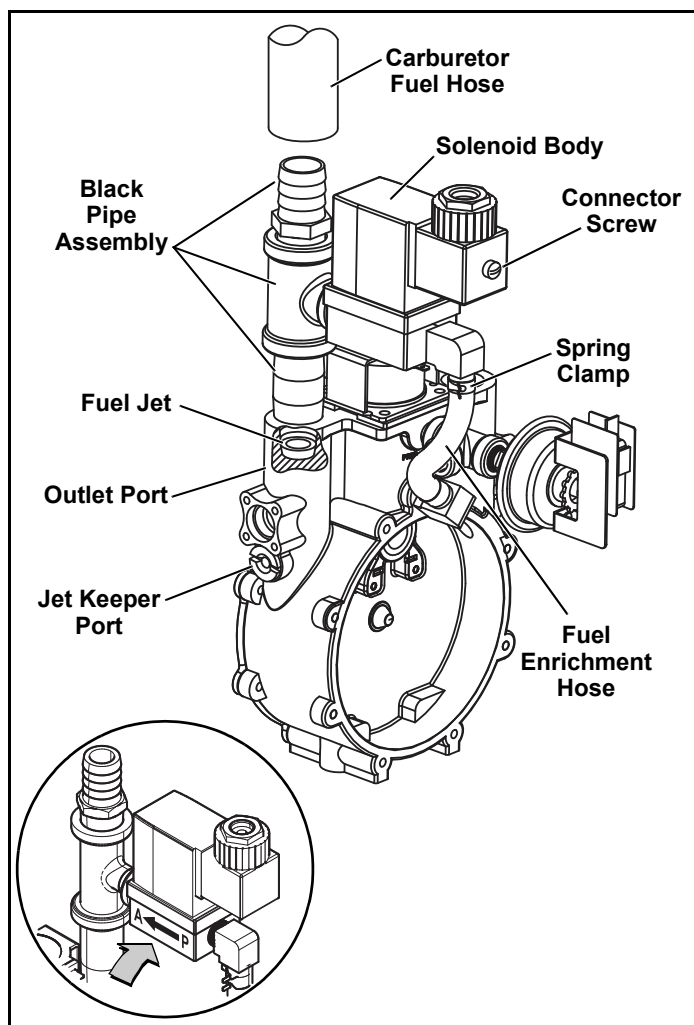
9. Rotate LP fuel jet clockwise to install in the outlet port.
10. Rotate NG fuel jet clockwise to install in the jet keeper port.
11. Install fuel solenoid assembly, if removed.

**NOTE: Solenoid must be installed with flow arrow pointed toward black pipe assembly. See inset of Figure 2-3.**

12. Apply appropriate pipe sealant to threads of black pipe assembly and install into outlet port.

**NOTE: On 5.4L (48 kW) units, install two screws (with flat washers, lock washers and hex nuts) to fasten fuel inlet flange to frame rail.**

13. Expand spring clamp on fuel enrichment hose and install onto hose barb.
14. Push power wire connector onto fuel solenoid and install screw.
15. Install carburetor fuel hose onto outlet port.
16. Install battery negative cable (black) onto battery negative (-) terminal.
17. Turn on the main gas supply.
18. See Subsection 2.7.2—Change Fuel Selection.



**Figure 2-3. Demand Regulator Assembly**

**⚠ DANGER!**

⚠ Serious injury, including death, or damage will occur if not configured properly. Consult an Authorized Dealer with any questions.

**2.7.2— Change Fuel Selection****⚠ CAUTION!**

Failure to convert both the hardware and software will result in decreased performance and an increase in emissions, which is a violation of Environmental Protection Agency (EPA) regulations. It is the responsibility of the installer to make sure that only the correct recommended fuel is supplied to the generator fuel system. Thereafter, the owner/operator must ensure that only the proper fuel is supplied.

1. Once fuel regulator is converted to desired fuel type call 888-9ACTIVATE for the control panel password. This fuel selection conversion is required to be password protected by EPA regulations.
2. Access the control panel located behind the viewing window at the rear of the unit.
3. From the Home screen, press ESCAPE to display the Main Menu.
4. Navigate the software using UP ARROW, DOWN ARROW, ENTER and ESCAPE. For more detailed information, see Subsection 4.3 —Menu Navigation.

**2.8 — Battery Requirements**

<b>Group 26, 12 Volt</b>	<b>1.5L, 2.4L Engines:</b> For areas where temperatures regularly drop below 32° F (0° C).
<b>NOTE:</b> Battery dimensions (L x W x H) for Group 26 battery must not exceed 8-3/16" x 6-13/16" x 7-3/4" (208mm x 173mm x 197mm).	
<b>Group 24F, 12 Volt</b>	<b>5.4L Engine:</b> For areas where temperatures regularly drop below 32° F (0° C).
<b>NOTE:</b> Battery dimensions (L x W x H) for Group 24F battery must not exceed 10-3/4" x 6-13/16" x 9" (273mm x 173mm x 229mm).	

**2.8.1— Battery Charger**

A 2.5 amp battery charger is integrated into the control panel module. It operates as a “Smart Charger” which ensures output charging levels are safe and continuously optimized to promote maximum battery life.

**2.9 — Corrosion Protection**

Periodically wash and wax the enclosure using automotive type products. Frequent washing is recommended in salt water/coastal areas.



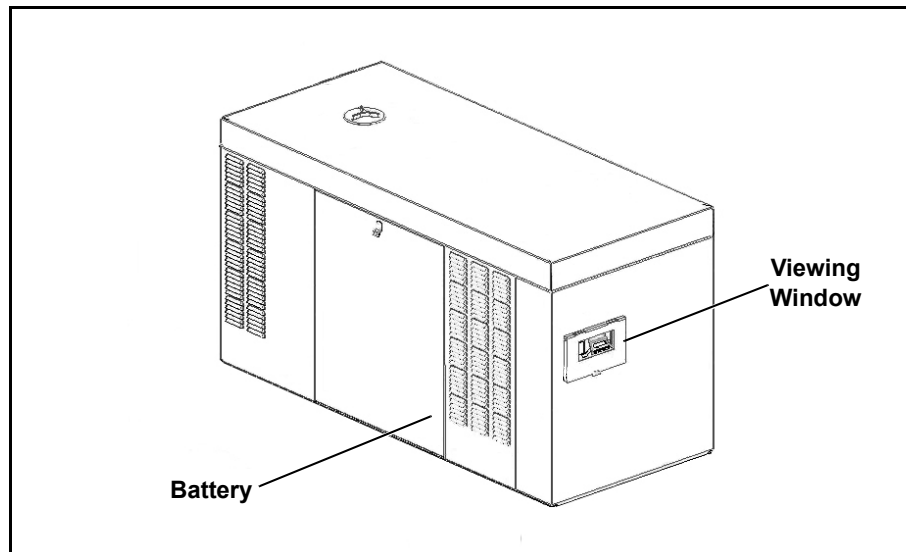
## Section 3 *Activation and Startup*

---

### 3.1 — Orientation

**NOTE:** The 2.4L (32 kW) unit is depicted in the artwork used in this manual. The location and appearance of some components may vary between engine models.

The side of the enclosure with the viewing window is identified as the rear of the generator set. The right and left sides are identified by standing at the rear and looking towards the front of the unit.



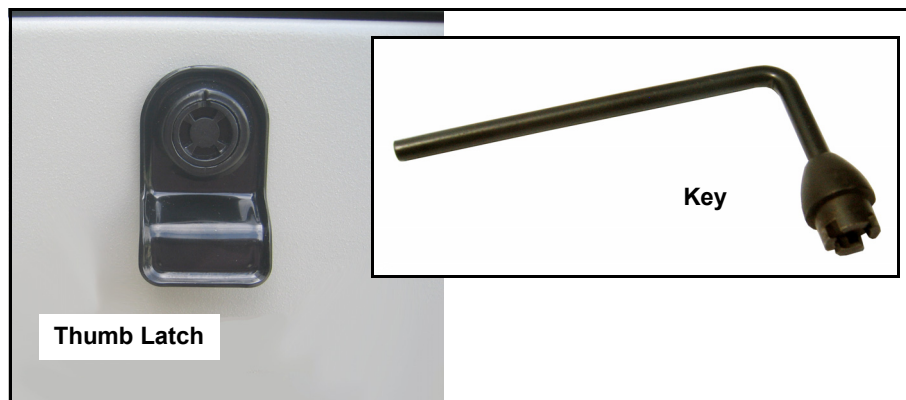
**Figure 3-1. Enclosure (Rear Left View)**

---

### 3.2 — Remove Side Access Panels

**NOTE:** Access panels are located at both the left and right sides of the enclosure.

1. Remove key from bag attached to door of unit.
2. Insert key into latch and rotate counterclockwise 1/2 turn. See Figure 3-2.
3. Raise panel using thumb latch.



**Figure 3-2. Access Panel Key**

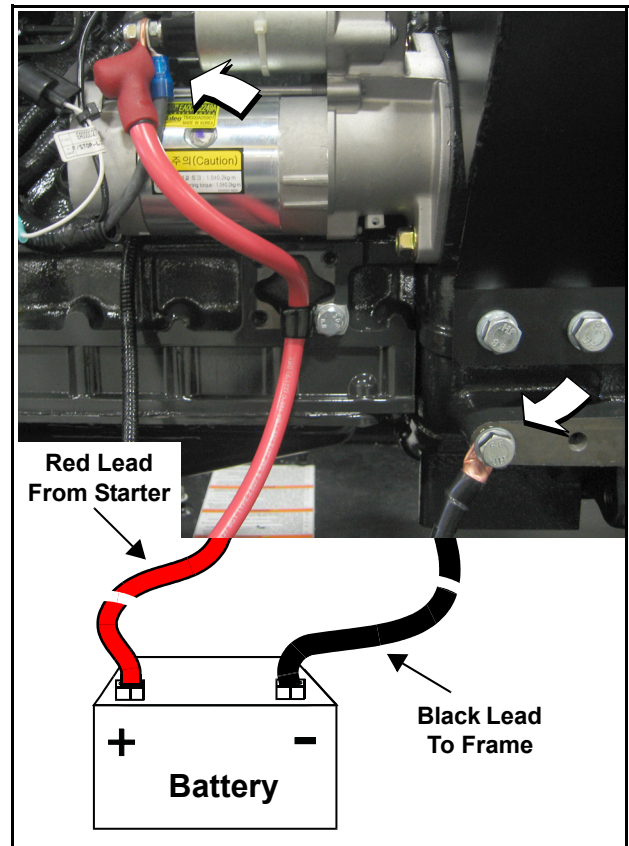
---

### 3.3 — Install Battery



**CAUTION:** Always connect the positive battery cable first. If the positive cable should contact ground with the negative cable installed, the resulting sparks may cause a battery explosion which could result in serious injury.

1. Loosen two screws with nylon washers to release hold-down clamp from battery tray.
2. Install battery onto tray.
3. Install two screws with nylon washers to secure hold-down clamp to battery tray.
4. Install battery positive cable (red) to battery positive (+) terminal.
5. Install battery negative cable (black) to battery negative (-) terminal.



**Figure 3-3. Battery Cable Connections**

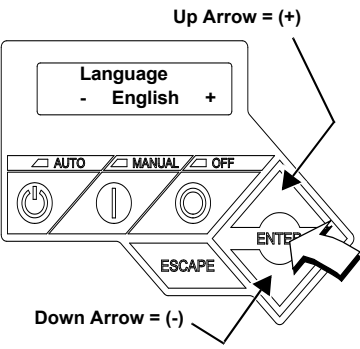
### 3.4 — Open Viewing Window

1. Remove plastic film from both sides of viewing window.
2. Rotate viewing window upward to access control panel.
3. To hold viewing window in the open position, remove rod from clip at back of window and insert into hole in frame. See Figure 3-4.



**Figure 3-4. Viewing Window**

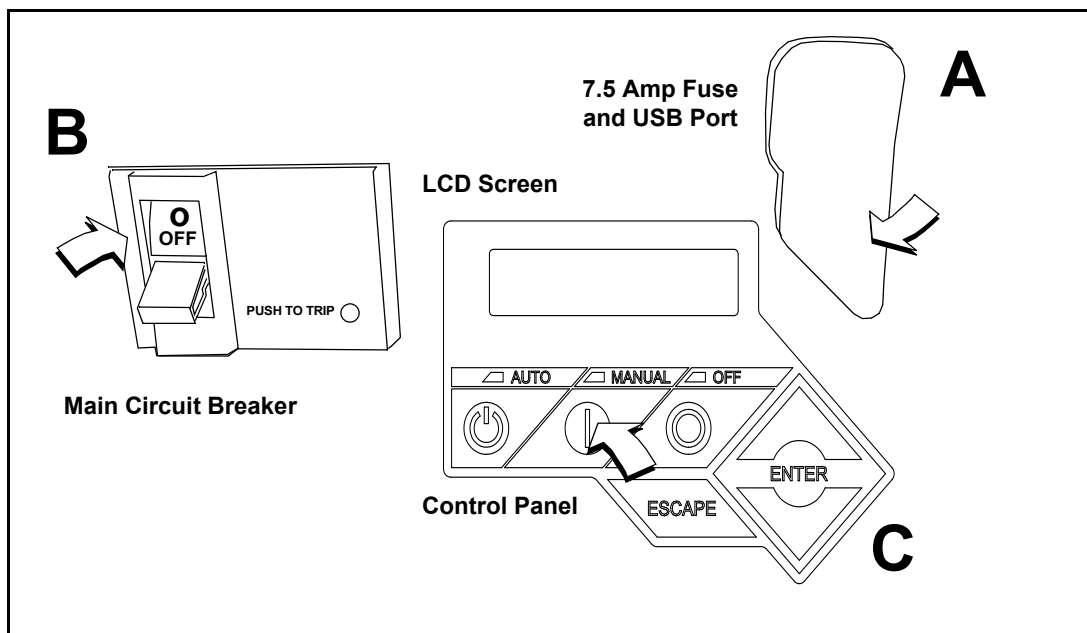
### 3.5 — Activate Unit

<p><b>Display Reads:</b></p> 	<p><b>Generator Active</b> is displayed on the LCD screen when the unit is first powered up. After displaying firmware and hardware version codes, as well as other system information, the Installation Wizard is launched, and the Language screen is displayed.</p> <p>Use UP ARROW or DOWN ARROW to scroll to desired language.</p> <p>Press ENTER.</p>	<p>If the wrong language is selected, it may be changed later using the Edit menu.</p>
<p><b>Display Reads:</b></p> <div style="border: 1px solid black; padding: 5px; text-align: center;"> <p><b>Activate me (ENT) or ESC to run in manual</b></p> </div>	<p>Press ENTER.</p>	<p>Press ESCAPE to abort the activation sequence. NOT ACTIVATED is displayed and the generator will run in manual mode only. Disconnect and reconnect the negative battery cable to restart the activation routine. If power is removed after a successful activation, no data is lost, but the time and date must be updated.</p>
<p><b>Display Reads:</b></p> <div style="border: 1px solid black; padding: 5px; text-align: center;"> <p><b>To Activate go to www.activategen.com</b></p> </div>	<p>Go to <a href="http://www.activategen.com">www.activategen.com</a> or call 1-888-9ACTIVATE (922-8482, US &amp; Canada only) if activation passcode is not available.</p> <p>If activation pass code is available, wait a few seconds for the next display.</p>	
<p><b>Display Reads:</b></p> <div style="border: 1px solid black; padding: 5px; text-align: center;"> <p><b>SN 1234567890 PASS CODE XXXXX</b></p> </div>	<p>Use UP ARROW or DOWN ARROW to increment or decrement the digit to correspond to the first number of the pass code.</p> <p>Press ENTER.</p> <p>Repeat step to enter remaining digits.</p>	<p>Press ESCAPE to return to preceding digits if a correction becomes necessary.</p> <p>If attempts to enter the activation code are unsuccessful, check the number against the code given on <a href="http://activategen.com">activategen.com</a>. If it is correct, contact 1-888-9ACTIVATE (922-8482, US &amp; Canada only).</p>
<p><b>Display Reads:</b></p> <div style="border: 1px solid black; padding: 5px; text-align: center;"> <p><b>Select Hour (0-23) - 6 +</b></p> </div>	<p>Use UP ARROW or DOWN ARROW to increment or decrement the hour. Press ENTER.</p> <p>Use UP ARROW or DOWN ARROW to increment or decrement the minute. Press ENTER.</p> <p>Use UP ARROW or DOWN ARROW to select the month. Press ENTER.</p> <p>Use UP ARROW or DOWN ARROW to increment or decrement the date. Press ENTER.</p> <p>Use UP ARROW or DOWN ARROW to increment or decrement the year. Press ENTER.</p>	

<p><b>Display Reads:</b></p> <div style="border: 1px solid black; padding: 10px; text-align: center;"> <p><b>Quiet Test Mode?</b> Yes No</p> </div>	<p>Use UP ARROW or DOWN ARROW to select either Yes or No.</p> <p>Press ENTER.</p>	<p>Select YES to perform exercise at low speed. Select NO to perform exercise at normal operating speed.</p>
<p><b>Display Reads:</b></p> <div style="border: 1px solid black; padding: 10px; text-align: center;"> <p><b>Select Hour (0-23)</b> - 1 +</p> </div>	<p>Set Exercise Time.</p> <p>Use UP ARROW or DOWN ARROW to increment or decrement the hour. Press ENTER.</p> <p>Use UP ARROW or DOWN ARROW to increment or decrement the minute. Press ENTER.</p> <p>Use UP ARROW or DOWN ARROW to scroll to the day of the week. Press ENTER.</p>	<p>In the AUTO mode, the engine starts and runs once each week at the time and day specified. During the exercise cycle, the unit runs approximately 12 minutes and then shuts down. Transfer of loads to the generator does not occur unless utility power fails.</p>

### 3.6 — Start and Run Engine

1. Pull up rubber flap covering fuse holder and verify installation of 7.5 amp fuse. See A of Figure 3-5.
2. Move the Main Circuit Breaker switch down to the OFF (Open) position. See B of Figure 3-5.
3. Press MANUAL on the control panel to start the engine. A blue LED illuminates to confirm that the system is in the MANUAL mode. See C of Figure 3-5.
4. Allow the engine to run until it reaches normal operating temperature.
5. Press OFF on the control panel to stop the engine. A red LED illuminates to confirm that the system is in the OFF mode.



**Figure 3-5. Generator Control Panel**

## 3.7 — Operational Checks

### ⚠ CAUTION!



The following procedures require special tools and skills. Contact an authorized service provider to perform these tasks.

### 3.7.1— Self Test

Upon power up, the controller goes through a system self test which checks for the presence of utility voltage on the DC circuits. This is done to prevent damage if the installer mistakenly connects AC utility power sense wires into the DC terminal block. If utility voltage is detected, the controller displays a warning message and locks out the generator, thereby preventing damage to the controller. Remove power to the controller to clear this warning.

Utility voltage must be turned on and present at the N1 and N2 terminals inside the generator control panel for this test to be performed and pass.

Before starting, complete the following:

1. Verify that the generator is OFF. A red LED on the control panel illuminates to confirm that the system is in the OFF mode.
2. Verify that the Main Circuit Breaker switch on the generator control panel is in the OFF (Open) position.
3. Turn off all circuit breakers/electrical loads that will be powered by the generator.
4. Check the coolant and engine lubricating oil levels. See Subsections 5.7.5 and 5.7.7, respectively.

During initial start up only, the generator may exceed the normal number of start attempts and experience an “over crank” fault. This is due to accumulated air in the fuel system during installation. Reset the control board and restart up to two more times, if necessary. If unit fails to start, contact the local dealer for assistance.

### 3.7.2— Check Manual Transfer Switch Operation

Refer to the manufacturer’s instructions.

### ⚠ DANGER!



Do not attempt manual transfer switch operation until all power voltage supplies to the transfer switch have been positively turned off. Failure to turn off all power voltage supplies will result in extremely hazardous and possibly fatal electrical shock.

### 3.7.3— Electrical Checks

Complete electrical checks as follows:

1. Verify that the generator is OFF. A red LED on the control panel illuminates to confirm that the system is in the OFF mode.
2. Verify that the Main Circuit Breaker switch on the generator control panel is in the OFF (Open) position.
3. Turn OFF all circuit breakers/electrical loads that will be powered by the generator.
4. Turn on the utility power supply to the transfer switch using the means provided (such as a utility main line circuit breaker).

### ⚠ DANGER!



The transfer switch is now electrically “hot.” Contact with “hot” parts will result in extremely hazardous and possibly fatal electrical shock.

5. Use an accurate AC voltmeter to check utility power source voltage across transfer switch terminals N1, N2, and N3 (if three phase). Normal line-to-line voltage should be equivalent to rated unit voltage.
6. Check utility power source voltage across terminals N1, N2, and N3 (if three phase) and the transfer switch neutral lug.
7. When certain that utility supply voltage is compatible with transfer switch and load circuit ratings, turn OFF the utility power supply to the transfer switch.
8. Press MANUAL on the control panel to crank and start the engine.

9. Allow the engine to warm up for about five minutes. Move the Main Circuit Breaker switch on the generator control panel up to the ON (or closed) position.

**⚠ DANGER!**



**Generator power voltage is now supplied to the transfer switch. Contact with live transfer switch parts will result in dangerous and possibly fatal electrical shock.**

10. Connect an accurate AC voltmeter and a frequency meter across transfer switch terminal lugs E1, E2, and E3 (if three phase).
11. Successively connect the AC voltmeter test leads across terminal lugs E1, E2, and E3 (if three phase) and neutral; then across E2 and neutral. Voltage reading in each case should match utility voltage reading. If system is three phase, verify that generator phase rotation matches utility phase rotation.
12. Move the Main Circuit Breaker switch on the generator control panel down to the OFF (Open) position.
13. Press OFF on the control panel to shut the engine down.

**⚠ DANGER!**



**Do not proceed unless certain that generator AC voltage and frequency are correct and within the stated limits.**

### 3.7.4— Test Generator Under Load

To test the generator set with electrical loads applied, proceed as follows:

1. Verify that the generator is OFF. A red LED on the control panel illuminates to confirm that the system is in the OFF mode.
2. Turn OFF all breakers/electrical loads that will be powered by the generator.
3. Turn OFF the utility power supply to the transfer switch, using the means provided (such as a utility main line circuit breaker).

**⚠ DANGER!**



**Do not attempt manual transfer switch operation until all power voltage supplies to the transfer switch have been positively turned off. Failure to turn off all power voltage supplies will result in extremely hazardous and possibly fatal electrical shock.**

4. Manually set the transfer switch to the STANDBY position, i.e., load terminals connected to the generator's E1, E2, and E3 (if three phase) terminals.
5. Press MANUAL on the control panel. The engine will crank and start.
6. Allow the engine to warm up for a few minutes.
7. Move the Main Circuit Breaker switch on the generator control panel up to the ON (or closed) position. The switch is now powered by the standby generator.
8. Turn ON the circuit breaker/electrical loads powered by the generator.
9. Connect a calibrated AC voltmeter and a frequency meter across terminal lugs E1, E2, and E3 (if three phase). Voltage should be approximately unit rated voltage. Check with clamp on amp meter to ensure unit is not overloaded.
10. Let the generator run at full rated load for 20-30 minutes. Listen for unusual noises, vibration or other indications of abnormal operation. Check for oil leaks, evidence of overheating, etc.
11. When testing under load is complete, turn OFF electrical loads.
12. Move the Main Circuit Breaker switch on the generator control panel up to the OFF (or open) position.
13. Allow the engine to run at no-load for 2-5 minutes.
14. Press OFF on the control panel to shut the engine down. A red LED illuminates to confirm that the system is in the OFF mode.

### 3.7.5— Check Automatic Operation

To check the system for proper automatic operation, proceed as follows:

1. Verify that the generator is OFF. A red LED on the control panel illuminates to confirm that the system is in the OFF mode.
2. Install front cover of the transfer switch.
3. Turn ON the utility power supply to the transfer switch, using the means provided (such as a utility main line circuit breaker).

**NOTE: Transfer Switch will transfer back to utility position.**

4. Move the Main Circuit Breaker switch on the generator control panel up to the ON (or closed) position.
5. Press AUTO on the control panel. The system is now ready for automatic operation.
6. Turn OFF the utility power supply to the transfer switch.

With the generator ready for automatic operation, the engine will crank and start when the utility source power is turned OFF after a 10 second delay (factory default setting). After starting, the transfer switch connects load circuits to the standby side. Let the system operate through its entire automatic sequence of operation.

With the generator running and loads powered by generator AC output, turn ON the utility power supply to the transfer switch. The system transfers back to the utility position and then runs through the cool down cycle and shuts down.

### 3.8 — Final Instructions

1. Use key to install left and right side access panels.
2. Close viewing window.

**NOTE: Obtain viewing window hasp, if not installed. See Figure 3-6. With the retaining tab at the bottom, insert square end of hasp into slot below viewing window. Push on hasp until it snaps in place. Gently pull on hasp to verify that it will not come free.**

3. Install customer supplied padlock into hasp.



**Figure 3-6. Install Viewing Window Hasp**

**This page intentionally left blank.**



# Section 4 Operation

## 4.1 — Control Panel

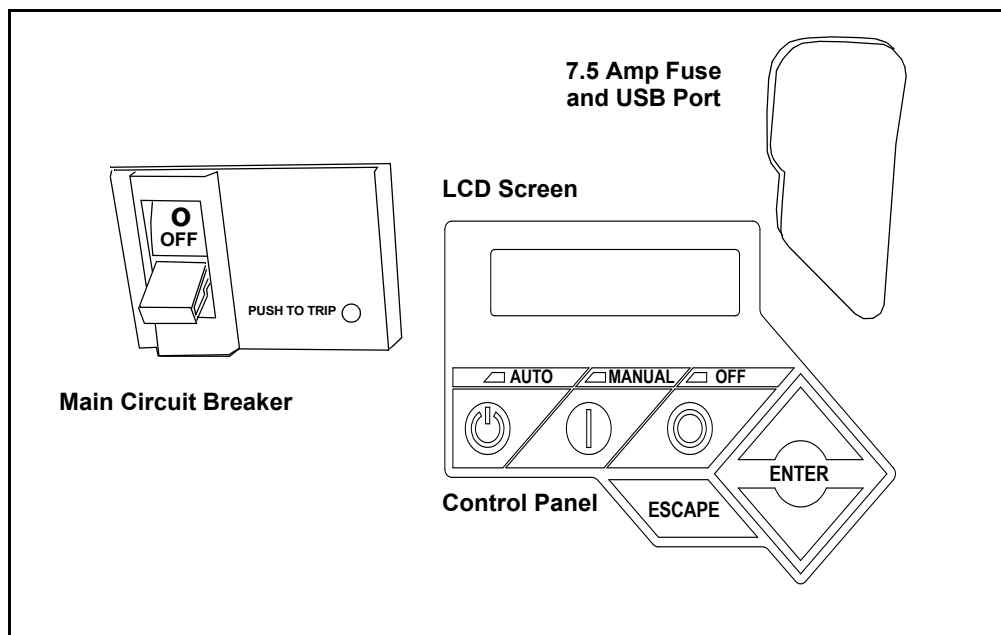
**NOTE:** The control panel is intended for use by qualified service personnel only.

The control panel is located behind the viewing window at the rear of the unit.

**⚠ WARNING!**



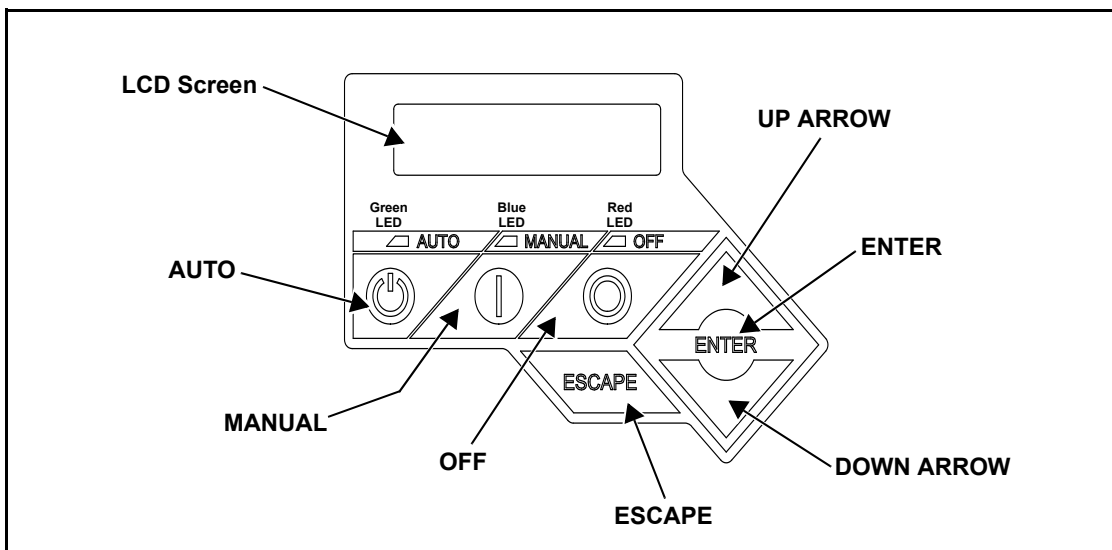
With the control panel set to **AUTO**, the engine may crank and start at any time without warning. Such automatic starting occurs during the programmed exercise cycle or when utility power source voltage drops below the configured level. To prevent possible injury that might occur during sudden starts, always set the control panel to **OFF**, remove the negative battery cable from the negative battery post, and remove the 7.5 amp fuse before working on or around the generator or transfer switch. For added security, place a **DO NOT OPERATE** tag or placard on both the control panel and transfer switch.



**Figure 4-1. Generator Control Panel**

## 4.2 — Auto/Manual/Off

Feature	Description
<b>AUTO</b>	Press to activate fully automatic operation. Green LED illuminates to confirm that system is in AUTO mode. Transfer to standby power occurs if utility power fails. Functionality of exercise timer is enabled, if set.
<b>MANUAL</b>	Press to crank and start engine. Blue LED illuminates to confirm that system is in MANUAL mode. Transfer to standby power occurs if utility power fails. Functionality of exercise timer is disabled.
<b>OFF</b>	Press to shut down engine, if running. Red LED illuminates to confirm that system is in OFF mode. Transfer to standby power does not occur if utility power fails.



**Figure 4-2. Control Panel and LCD Screen**

### 4.3 — Menu Navigation

See Figure 4-3.

Feature	Description
<b>System Menus</b>	
<b>HOME Screen</b>	The system returns to the Home screen if the control panel is not used for five minutes. The screen normally displays a Status message, such as Ready to Run (Auto mode) or Switched to OFF (Off mode), and the total Hours of Protection. If an active alarm/warning condition occurs, the associated Alarm/Warning message is displayed. To clear the Alarm/Warning message, press OFF on the control panel followed by ENTER. In the event of multiple Alarms/Warnings, the next message is then displayed. The highest priority alarm is always displayed first.
<b>Display Backlight</b>	Normally off. If the operator presses any button, the backlight will automatically light and remain on for 30 seconds.
<b>MAIN MENU</b>	Enables the operator to navigate the software using UP ARROW, DOWN ARROW, ENTER and ESCAPE. The Main Menu can be accessed from any sub menu by consecutively pressing ESCAPE. Each time ESCAPE is pressed, the preceding menu is displayed. The Main Menu is reached when the System, Date/Time, Battery, and Sub Menus are displayed.
<b>SUB-MENUS</b>	The Sub-Menus screen includes HISTORY, MAINT, EDIT, AND DEALER menus.
<b>HISTORY</b>	The HISTORY screen includes an Alarm Log and Run Log. The Alarm Log displays the last 50 alarm events. The Run Log displays the last 50 operational events.
<b>MAINTENANCE MENU</b>	Includes Run Hours, Maintenance Log, and Scheduled. Run Hours displays cumulative hours on engine. Maintenance Log displays the last service warnings and service completions. Scheduled displays when the next scheduled maintenance interval warning will occur.
<b>EDIT MENU</b>	Includes Language, Current Date/Time, Exercise Settings, Firmware Update, Startup Delay, and Warmup Time. All of these settings are adjustable without a password.
<b>DEALER MENU</b>	Includes settings that are password protected and can be adjusted by an Independent Authorized Service Dealer during installation or a service visit.

Feature	Description
<b>Navigation</b>	
<b>ESCAPE</b>	Used to abort a routine or back up to the preceding menu.
<b>ENTER</b>	Used to make a selection or save an entry.
<b>UP ARROW DOWN ARROW</b>	Used to move forward or backward from menu to menu or to scroll forward or backward (increment or decrement) through available selections.
<b>NOTE:</b> Pressing the control panel illuminates the backlight for 30 seconds. The backlight also illuminates for 30 seconds whenever an active Alarm/Warning message is displayed.	



---

**Figure 4-3. Navigation Menu**

---

## 4.4 — Alarm/Warning Conditions

The owner/operator is alerted to Alarm and/or Warning conditions via the control panel LCD screen. All Alarm conditions cause the generator to shut down. The Warning messages alert the operator to conditions that do not disable the unit or require immediate correction.

The possible Alarm/Warning messages are listed below.

### Alarm Messages

- High Engine Temperature
- Low Oil Pressure
- Overcrank
- Overspeed
- RPM Sense Loss
- Underspeed
- Controller Fault
- Ignition Fault Code
- WIRING ERROR
- Over Voltage
- Under Voltage
- Overload
- Canbus Error
- Missing Cam Pulse
- Missing Crank Pulse
- Low Fuel Pressure
- E-Stop

### Warning Messages

- Low Battery
- Exercise Set Error
- Schedule A Maintenance
- Schedule B Maintenance
- Schedule C Maintenance
- Battery Problem
- Charger Warning
- Charger Missing AC
- USB Warning
- Download Failure
- Check Engine

**NOTE:** Unless properly trained to correct and clear Alarm/Warning conditions, contact an Authorized Dealer or trained service technician.

## 4.5 — Change Time and Date

To change the time and date after activation, see the Navigation Menu in Figure 4-3. If power is lost (battery is disconnected/reconnected, control panel fuse is removed/installed, etc.), the display automatically prompts the user for the Time and Date. All other information is retained in memory.

## 4.6 — Programmable Timers

### 4.6.1— Dealer Programmable

#### 4.6.1.1—Exercise Time

A programmable exercise time is provided. In the AUTO mode, the engine starts and runs once each week at the time and day specified. During the exercise cycle, the unit runs approximately 12 minutes and then shuts down. Transfer of loads to the generator does not occur unless utility power fails.

**NOTE:** A Dealer password is required to change the duration of Exercise Cycle.

## 4.6.2— User Programmable

### 4.6.2.1—Start-Up Delay Timer

A programmable line interrupt delay (or Start-Up Delay) timer is provided. When utility voltage fails (falls below 60% of nominal), the start-up delay timer is started. If the voltage rises above the Utility Volts Low threshold, the timer is reset. If the utility voltage remains below the threshold during the duration of the timer, the unit cranks and starts.

**NOTE:** The factory default setting is five seconds, but is adjustable from 2 to 1500 seconds.

### 4.6.2.2—Warm-Up Delay Timer

A programmable Warm-Up Delay timer is provided. As soon as the generator starts, the warm-up timer is started. When the warm-up timer expires, the control transfers load to the generator (through the transfer switch) if the utility voltage is less than 80% of nominal. If utility voltage is greater than the threshold at expiration of the warm-up time, the load is **not** transferred to the generator and a cool-down period begins. At the end of the cool-down period, the generator stops.

**NOTE:** The factory default setting is five seconds, but is adjustable from 5 to 1500 seconds.

## 4.7 — USB Port for Firmware Updates

A USB port is located beneath the rubber flap on the control panel, and is provided for firmware updates. Firmware updates must be performed by an Independent Authorized Service Dealer.

**NOTE:** The USB port is intended for use with a USB thumb drive only. The USB port is not intended for charging devices such as phones or laptops. Do not connect any consumer electronics to the USB port.

## 4.8 — Battery Charger

**NOTE:** The battery charger is integrated into the control panel module.

The battery charger ensures:

- Output is continually optimized to promote maximum battery life.
- Charging levels are safe.

**NOTE:** A warning message is displayed on the LCD screen when the battery requires service.

## 4.9 — Transfer Switch Automatic Operation

In AUTO, the generator starts automatically when utility source voltage drops below the preset level. Once the unit starts, loads are transferred to the standby power source.

To select automatic operation:

1. Verify that the transfer switch main contacts are set to the UTILITY position (loads connected to the utility power source).
2. Verify that normal UTILITY power source voltage is available to transfer switch terminal lugs N1, N2 and N3 (if three phase).
3. Move the Main Circuit Breaker switch on the control panel up to the ON (Closed) position.
4. Press AUTO on the control panel. A green LED illuminates to confirm that the system is in the AUTO mode.

### 4.9.1— Automatic Sequence of Operation

#### 4.9.1.1—Utility Failure

If the control panel is set to AUTO when the utility power fails, a ten second Start-Up Delay timer is started (user programmable). If utility power is still absent when the time expires, the engine cranks and starts.

Once started, a **five** second engine Warm-Up Delay timer starts (user programmable). When the time has elapsed, the load is transferred to the generator. If utility power is restored (above 90% of nominal, dealer programmable) between the time the engine is first started and expiration of the warm-up time, the controller completes the start cycle and then runs through its normal cool-down cycle (while the load remains on the utility source throughout the episode).

#### 4.9.1.2—Cranking

The cyclic cranking is controlled as follows:

Fifteen (15) seconds crank, seven (7) seconds rest, seven (7) seconds crank, seven (7) seconds rest; this sequence is repeated for a total of six (6) crank cycles.

#### 4.9.1.3—Load Transfer

With the generator running, the transfer of load is dependent upon the operating mode as follows:

<b>AUTO</b>	<ul style="list-style-type: none"> <li>• Starts and runs if utility power fails (falls below 60% of nominal) for <b>five</b> consecutive seconds (adjustable).</li> <li>• Starts a <b>five</b> second (adjustable) engine warm-up timer.</li> <li>• Does not execute transfer if utility power returns before expiration of warm-up timer (but finishes the warm-up and cool-down cycles).</li> <li>• Transfers back to utility once utility power returns (above 80% of nominal) for <b>fifteen</b> consecutive seconds.</li> <li>• Only shuts down if OFF is pressed or an alarm shutdown occurs.</li> <li>• Once utility power returns, starts a cool-down cycle before it shuts down.</li> </ul> <p><b>NOTE:</b> Cool-down cycle is <b>five</b> minutes if turbocharger equipped, one minute if naturally aspirated.</p>
	<p><b>EXERCISE</b></p> <ul style="list-style-type: none"> <li>• Only works in AUTO mode.</li> <li>• Does not exercise if generator is already running in AUTO.</li> <li>• During exercise cycle, transfers only if utility power fails for <b>ten</b> consecutive seconds.</li> </ul>
<b>MANUAL</b>	<ul style="list-style-type: none"> <li>• Engine cranks and runs even if utility power is present, but does not transfer to generator.</li> <li>• Transfers to generator if utility fails (falls below 60% of nominal) for <b>ten</b> consecutive seconds.</li> <li>• Transfers back to utility when utility returns for <b>fifteen</b> consecutive seconds. The engine continues to run until the AUTO or OFF key is pressed.</li> </ul>

### 4.10 — Transfer Switch Manual Operation



**DO NOT attempt to activate the transfer switch manually until all power voltage supplies to the switch have been completely turned off. Failure to turn off all power voltage supplies may result in extremely hazardous and possibly fatal electrical shock.**

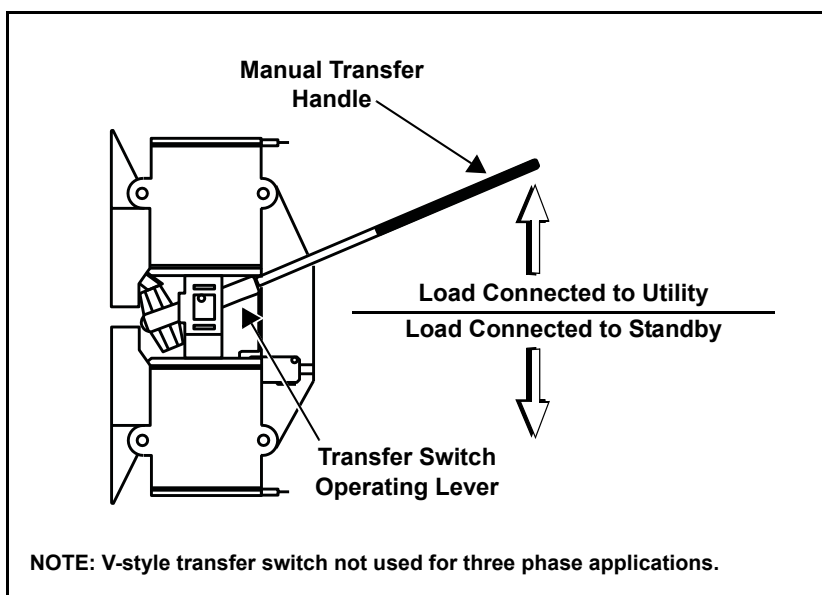
Prior to automatic operation, manually exercise the transfer switch to verify that there is no binding or interference with proper operation of the mechanism. Manual operation of the transfer switch is required if automatic operation fails.

**IMPORTANT NOTE:** Always use the applicable transfer switch owner's manual for actual manual transfer switch operation instructions. The information presented here describes a transfer switch, which is not used for three phase applications. See specific manual for three phase transfer switch.

#### 4.10.1— Transfer to Generator Power

When utility power fails, manually transfer to standby power and start the generator as follows:

1. Press OFF on the control panel. A red LED illuminates to confirm that the system is in the OFF mode.
2. Move the Main Circuit Breaker switch down to the OFF (Open) position.
3. Turn off the utility power supply to the transfer switch using the means provided (such as a utility main line circuit breaker).
4. Use the manual transfer handle inside the transfer switch to move the main contacts to the STANDBY position (loads connected to the standby power source).
5. Press MANUAL on the control panel. The engine cranks and starts.
6. Allow the engine to run for two minutes to bring it up to normal operating temperature.
7. Move the Main Circuit Breaker switch up to the ON (Closed) position.



**Figure 4-4. Manual Transfer Switch Operation (Typical)**

#### 4.10.2— Transfer Back to Utility Power

When utility power is restored, manually transfer back to utility power and shut down the generator as follows:

**NOTE:** Verify that utility voltage has returned and is at the proper value.

1. Move the Main Circuit Breaker switch down to the OFF (Open) position.
2. Allow the engine to run for two minutes at no-load to bring it up to normal operating temperature.
3. Press OFF on the control panel to shut down the engine.
4. Verify that utility power supply to the transfer switch is turned off.
5. Use the manual transfer handle inside the transfer switch to move the main contacts to the UTILITY position (loads connected to the utility power source).
6. Turn on the utility power supply to the transfer switch using the means provided.
7. Press AUTO on the control panel. A green LED illuminates to confirm that the system is in the AUTO mode.

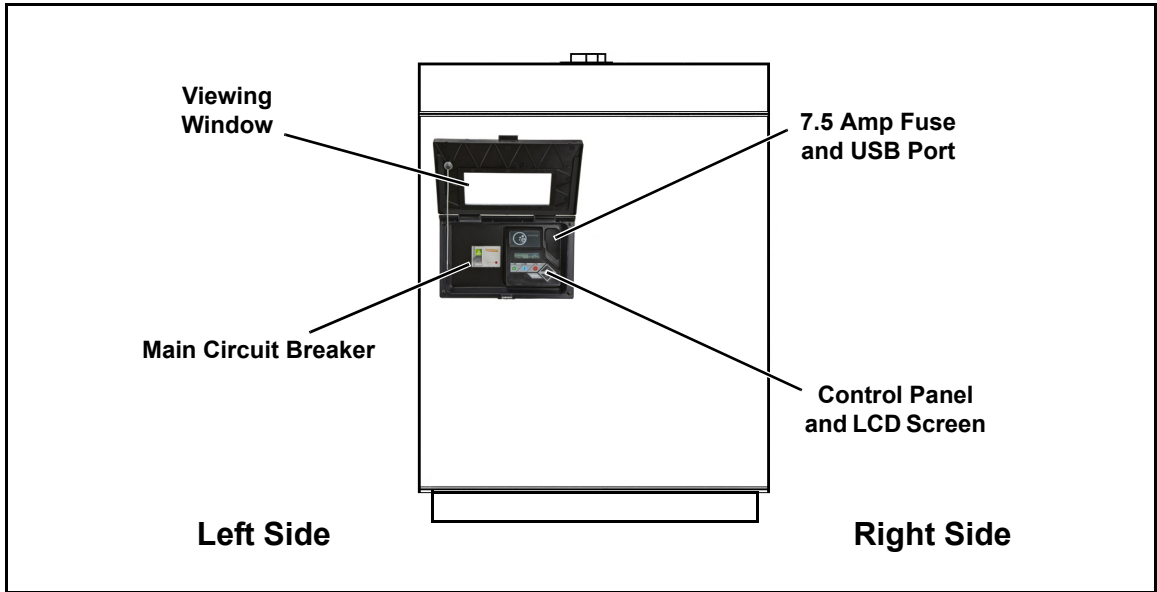


# Section 5 Maintenance

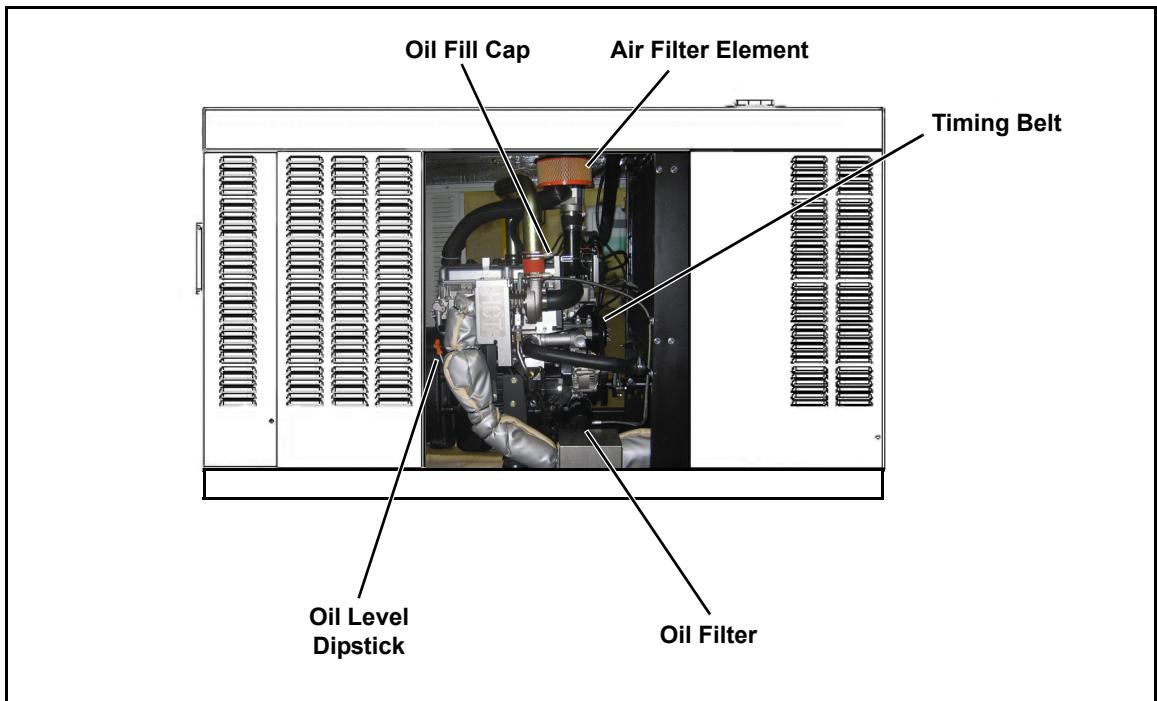
## 5.1 — Component Locations

The side of the enclosure with the viewing window is identified as the rear of the generator set. The right and left sides are identified by standing at the rear and looking towards the front of the unit.

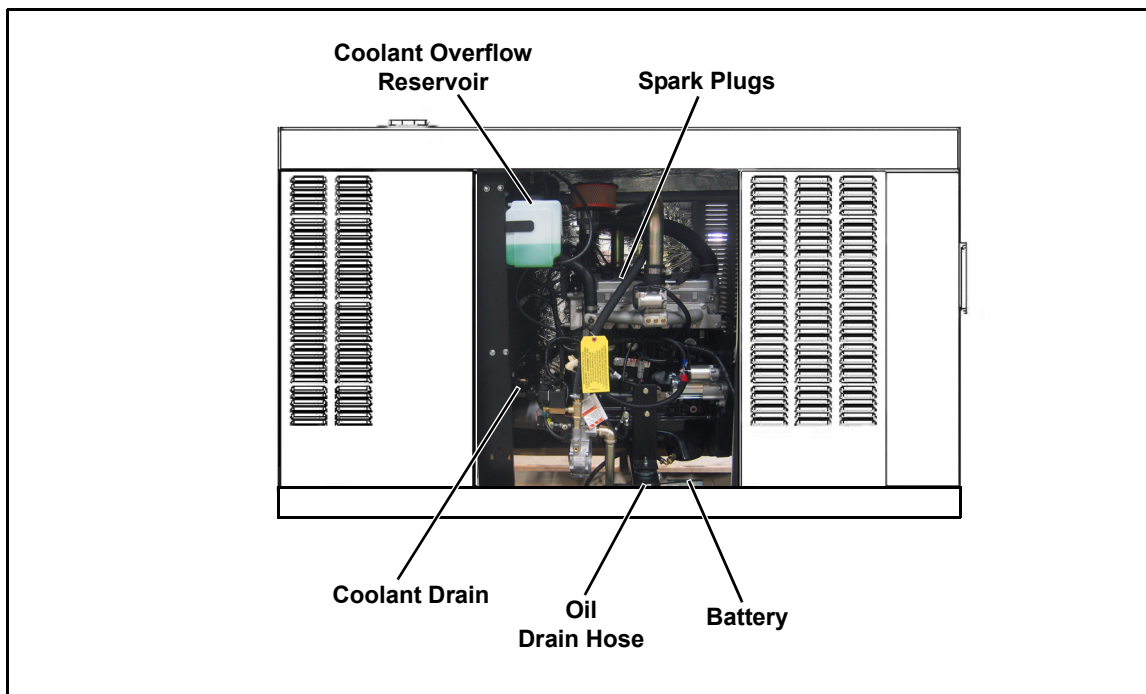
**NOTE:** The 2.4L (32 kW) unit is depicted in the artwork used in this manual. The location and appearance of some components may vary between engine models.



**Figure 5-1. Rear View**



**Figure 5-2. Right Side View**



**Figure 5-3. Left Side View**

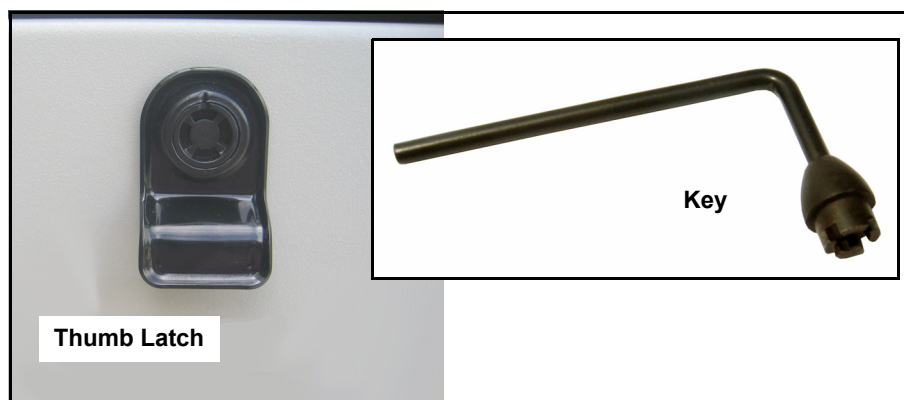
**NOTE:** All normal maintenance and service items are easily accessible for consumer convenience. Wherever possible, touch points are colored orange to provide for quick and easy recognition.

## 5.2 — Access Panels

Access panels are located at both the left and right sides of the enclosure.

### 5.2.1— Removal

1. Insert key into latch and rotate counterclockwise 1/2 turn. See Figure 5-4.
2. Raise panel using thumb latch.



**Figure 5-4. Access Panel Key**

### 5.2.2— Installation

1. Lower panel into position using thumb latch.
2. Insert key into latch and rotate clockwise 1/2 turn.

### 5.3 — Service Maintenance Intervals

**NOTE:** Use only Genuine Generac parts to ensure warranty coverage.

#### ⚠ CAUTION!



**All generator service must be performed by an authorized service provider or a qualified service personnel only.**

It is important to perform all maintenance at the interval specified in the Service Maintenance Schedule. This ensures safe and proper operation, as well as compliance with applicable emissions standards. Critical emissions maintenance must be performed for the Emissions Warranty to remain valid. Service and repairs may be performed by an authorized service provider, any qualified service technician, or repair shop.

Observe the maintenance tasks and intervals shown in the table below.

Service	30 Hours Engine Break In	Daily If Running Continuously	Schedule A Every Year or 125 Hours	Schedule B Every 2 Years or 250 Hours	Schedule C Every 1000 Hours
Check Enclosure Louvers		○	○	○	○
Check Fuel Lines		○	○	○	○
Check Coolant Level and Hoses		○	○	○	○
Check Radiator for Clogging		○	○	○	○
Check Lubricating Oil Level and Drain Hose		○	○	○	○
Replace Lubricating Oil and Oil Filter	○		○	○	○
Check Battery Condition/Fluid Level			○	○	○
Check/Adjust Accessory/Drive Belt Tension			○	○	○
Replace Air Filter Element			○	○	○
Drain/Flush Coolant System				○	○
Clean/Gap/Replace Spark Plugs				○	○
Replace Timing Belt (2.4L Engines Only)					○
Tighten Critical Fasteners					○

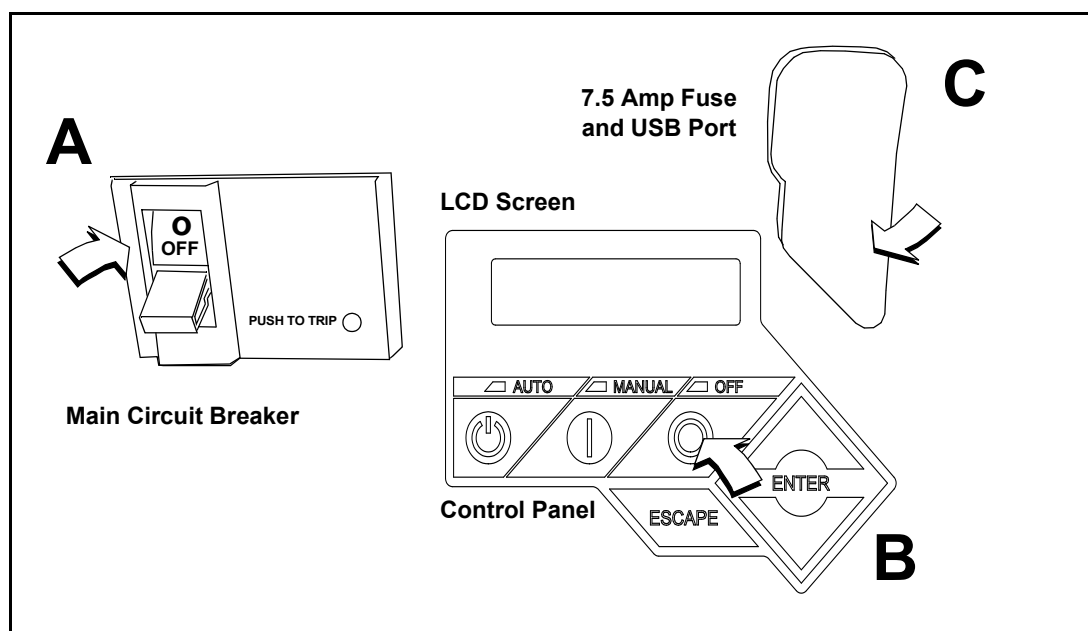
**NOTE:** If the unit reaches a Schedule A or Schedule B maintenance interval with 900 to 999 total hours, have an authorized service provider perform the Schedule C maintenance tasks as well (and reset the A-B-C/Year maintenance schedule counter).

## 5.4 — Remove From Service

To ensure safety, follow the steps below prior to inspection, maintenance or service.

**IMPORTANT NOTE:** If currently experiencing a utility outage, see Subsection 6.3 —Removal From Service During Utility Outages for special instructions.

1. Open the viewing window. See Subsection 3.4 —Open Viewing Window.
2. Move the Main Circuit Breaker switch down to the OFF (Open) position. See A of Figure 5-5.
3. Press OFF on the control panel. A red LED illuminates to confirm that the system is in the OFF mode. See B of Figure 5-5.
4. Remove T1 fuse from transfer switch.
5. Pull up rubber flap covering fuse holder and remove 7.5 amp fuse. See C of Figure 5-5.
6. Disconnect NEGATIVE battery cable.
7. Place a DO NOT OPERATE tag or placard on both the control panel and transfer switch.
8. If the unit has been running, wait five minutes for the engine to cool.



**Figure 5-5. Generator Control Panel**

## 5.5 — 30 Hour Break-In

Perform the following task:

- Replace Lubricating Oil and Oil Filter

**NOTE:** See Subsection 5.7.8 under Schedule A Maintenance.

## 5.6 — Daily Maintenance

Perform the following tasks:

- Check Enclosure Louvers
- Check Radiator for Clogging
- Check Fuel Lines
- Check Lubricating Oil Level and Drain Hose
- Check Coolant Level and Hoses

**NOTE:** See Subsection 5.7.3 through Subsection 5.7.7 under Schedule A Maintenance.

## 5.7 — Schedule A Maintenance

**NOTE:** Perform Schedule A maintenance once each year or after 125 hours of service, whichever comes first.

**NOTE:** The 2.4L (32 kW) unit is depicted in the artwork used in this manual. For the general location of components in all other models, see Subsection 5.7.1—Schedule A Maintenance Item Locations.

### 5.7.1— Schedule A Maintenance Item Locations

**NOTE:** The side of the enclosure with the viewing window is identified as the rear of the generator set. The right and left sides are identified by standing at the rear and looking towards the front of the unit.

Model	22/27 kW	25/30 kW	32/38 kW	36/45 kW	48 kW	60 kW
Engine	2.4L	1.5L	2.4L	2.4L	5.4L	2.4L
Coolant Overflow Reservoir	L	L	L	L	L	L
Oil Dipstick	R	R	R	R	L	R
Oil Drain Hose	L	R	L	L	R	L
Oil Filter	R	R	R	R	L	R
Oil Fill Cap	E	E	E	E	R	E
Oil Supply Tank Fill Cap	-	-	-	TL	-	TL
Battery	L	R	L	L	R	L
Fan Belt	E	E	E	E	E	E
Air Filter Element	L	R	L	L	E	L
R = Right Side      L = Left Side      E = Either Side      T = Top      - = Not Applicable						

### 5.7.2— Preliminary Instructions

1. See Subsection 5.4 —Remove From Service.
2. Remove left and right side access panels. See Subsection 5.2 —Access Panels.
3. Remove battery negative cable (black) from battery negative (-) terminal.

### 5.7.3— Check Enclosure Louvers

1. Verify that intake and exhaust louvers and openings are clean and unobstructed. Keep clear of leaves, grass, snow, and debris.
2. Wipe exterior surfaces clean using a damp cloth.
3. Loosen dirt, oil, etc. with a soft bristle brush.
4. Remove loose dirt and debris using a vacuum cleaner, or low pressure compressed air (not exceeding 25 psi).

**NOTE:** Periodically wash and wax enclosure using automotive type products. Frequent washing is recommended in salt water/coastal areas.

### 5.7.4— Check Fuel Lines

1. Check fuel lines for leaks. Tighten fittings and clamps, if necessary.
2. Check fuel lines for nicks, dents, kinks or other damage. Replace as necessary.

### 5.7.5— Check Coolant Level and Hoses

**⚠ WARNING!**

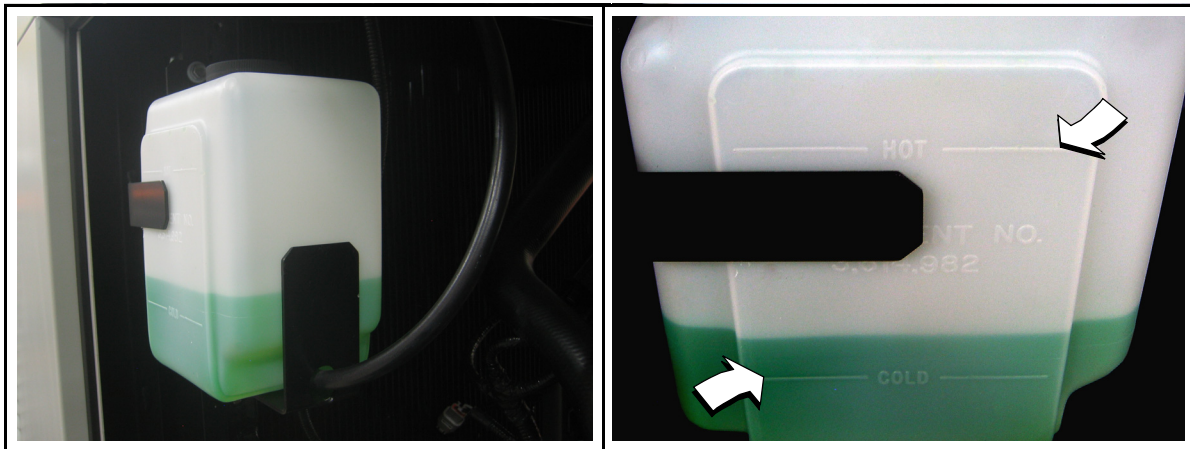


**Do not add coolant when the engine is hot. Steam and scalding fluids can cause severe burns.**

1. Verify that the coolant level is between the HOT and COLD marks on the overflow reservoir. See Figure 5-6.

**NOTE: Coolant expands when hot, so the level may be higher than the HOT mark. Do not add coolant higher than the HOT mark.**

2. If the coolant level is below the COLD mark, remove fill cap from overflow reservoir and add coolant. See Subsection 2.5 —Coolant Water Treatment.
3. Check coolant hoses for leaks. Tighten hose clamps, if necessary.
4. Check hoses for nicks, cuts, tears or general deterioration. Replace as necessary.



**Figure 5-6. Coolant Overflow Reservoir**

### 5.7.6— Check Radiator for Clogging

1. Direct beam of flashlight into enclosure to inspect the radiator fins.
2. Look for debris, accumulations of dirt or other deposits.
3. Carefully remove any debris from radiator fins. Use warm soapy water and a soft bristled brush to remove dirt and other deposits, if necessary.

### 5.7.7— Check Lubricating Oil Level and Drain Hose

**NOTE: If changing engine lubricating oil and filter, see Subsection 5.7.8—Replace Lubricating Oil and Oil Filter.**

1. If the engine was running, allow at least 10 minutes to elapse to ensure that the oil has fully drained into the oil pan.

**NOTE: The most accurate oil level readings are obtained when the engine is cold.**

2. Remove the dipstick and wipe dry with a clean, lint free cloth. See B of Figure 5-7
3. Slowly insert the dipstick into the dipstick tube.
4. Verify that the dipstick is fully seated in the dipstick tube.

**NOTE: Some dipsticks require more effort to fully seat than others.**

5. Allow at least 10 seconds to elapse.
6. Slowly remove the dipstick.

7. Verify that the oil level is at or near the FULL mark. Add oil as necessary. See A of Figure 5-7

**NOTE: Observe the oil level on both sides of the dipstick. The lower of the two readings is the correct oil level measurement.**

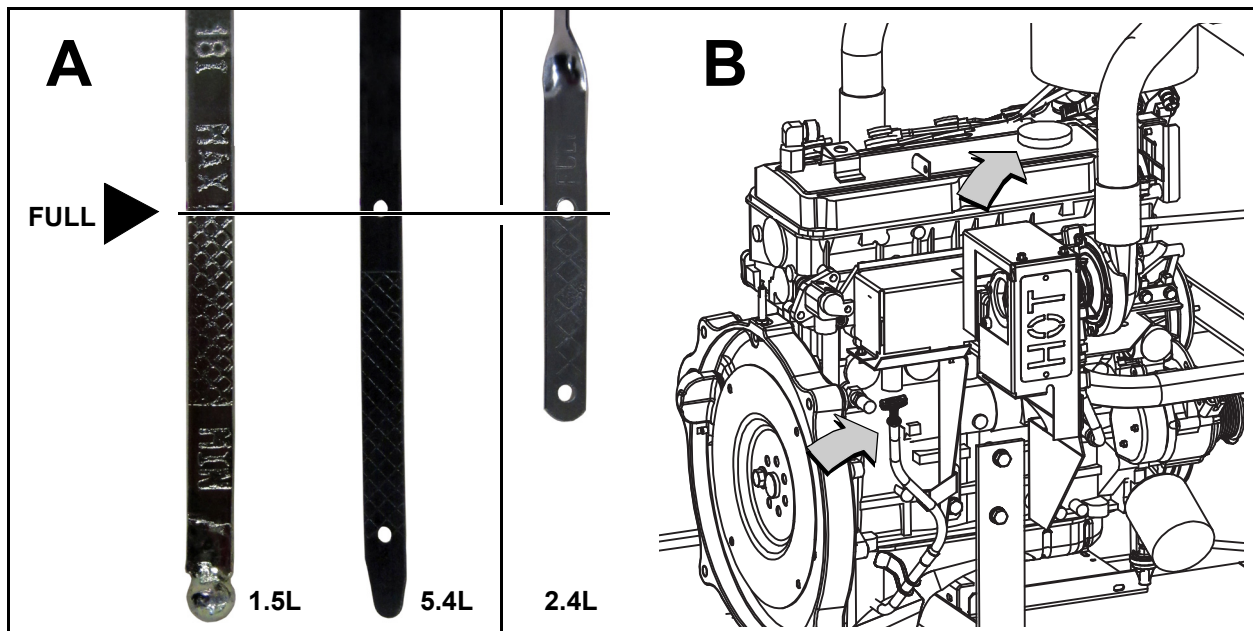
8. If necessary, remove the oil fill cap and slowly add oil. **Do not fill above “FULL” mark on dipstick.**
9. Install dipstick and oil fill cap.
10. Install battery negative cable (black) onto battery negative (-) terminal.
11. Pull up rubber flap covering fuse holder and install 7.5 amp fuse.
12. Press MANUAL on the control panel to start the engine.
13. Allow the engine to run for one minute.
14. Press OFF on the control panel to shut down the engine. A red LED illuminates to confirm that the system is in the OFF mode.
15. Return to step 1.

**NOTE: The most common reasons for inaccurate oil level readings are:**

- Reading the dipstick before the oil has fully drained into the oil pan.
- Inserting and removing the dipstick too quickly.
- Reading the dipstick when it has not been fully seated in the dipstick tube.
- Reading only the high level side of the dipstick.

16. Check oil drain hose for leaks. Check hose for nicks, cuts, tears or general deterioration. Replace as necessary.
17. Pull up rubber flap covering fuse holder and remove 7.5 amp fuse.
18. Remove battery negative cable (black) from battery negative (-) terminal.

**NOTE: On 36 kW, 45 kW, and 60 kW models, check the level of oil in the clean oil supply tank. Add clean oil as necessary. For more information, see Subsection 5.11 —Lube Oil Maintainer System.**



**Figure 5-7. Oil Level Dipstick and Oil Fill Cap**

### 5.7.8— Replace Lubricating Oil and Oil Filter

**NOTE: On 36 kW, 45 kW, and 60 kW models, close shutoff valve to avoid draining the oil supply tank with the crankcase oil. For more information, see Subsection 5.11 —Lube Oil Maintainer System.**

1. Remove oil drain hose from holding clamp. See A of Figure 5-8

- Use one wrench to hold hex on hose fitting (to prevent rotation), and use second wrench to remove drain plug.

**⚠ WARNING!**



**Hot oil may cause burns. Allow engine to cool before draining oil. Avoid prolonged or repeated skin exposure with used oil. Thoroughly wash exposed areas with soap**

- Drain oil into a suitable container.
- Install drain plug onto end of oil drain hose.
- Install oil drain hose into holding clamp.
- Rotate oil filter counterclockwise to remove from oil filter adapter. See B of Figure 5-8
- Apply a light coat of clean engine oil to gasket of **new** oil filter.
- Install oil filter by hand until gasket just contacts oil filter adapter. Tighten oil filter an additional 3/4 to one full turn.
- Remove fill cap and fill engine with the recommended quantity and type of oil. See Subsection 2.3 —Engine Oil Recommendations. Crankcase oil capacity is listed below:

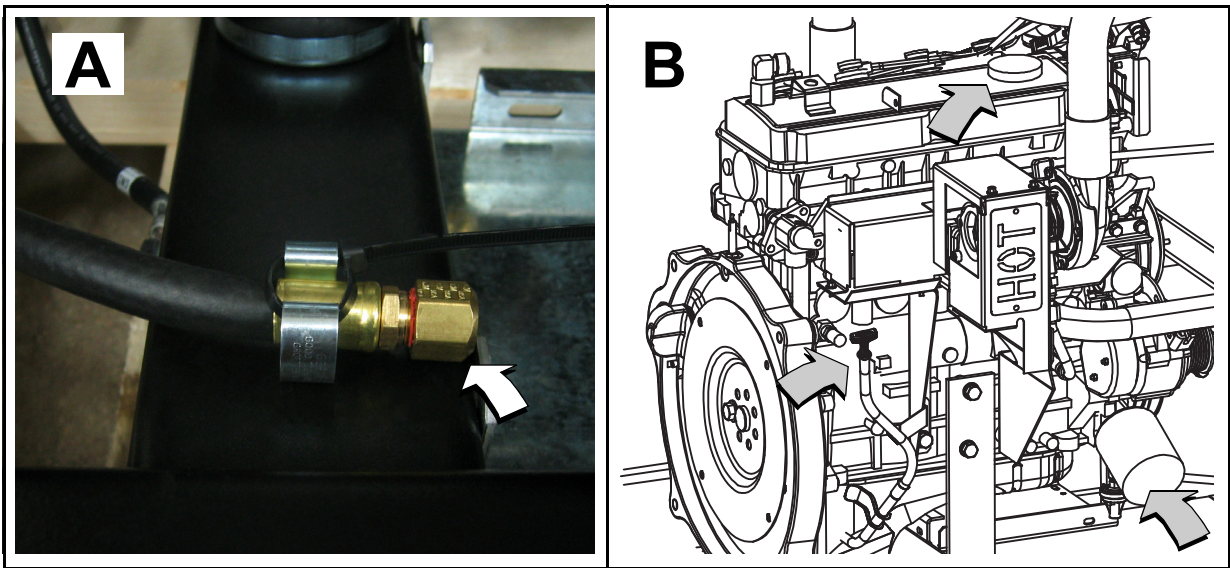
Lubrication System Capacity (Oil Pan Including Oil Filter)						
Model	22/27 kW	25-30 kW	32/38 kW	36/45 kW	48 kW	60 kW
Engine	2.4L	1.5L	2.4L	2.4L	5.4L	2.4L
4.0 quarts (3.8 liters)	○	○	○	○		
6.0 quarts (5.7 liters)					○	
5.25 quarts (5 liters)						○

- Install fill cap.
- Install battery negative cable (black) onto battery negative (-) terminal.
- Pull up rubber flap covering fuse holder and install 7.5 amp fuse.
- Press MANUAL on the control panel to start the engine.
- Allow the engine to run for one minute. Check for leaks while the engine is running.
- Press OFF on the control panel. A red LED illuminates to confirm that the system is in the OFF mode.
- Wait ten minutes for the engine to cool and to allow oil to drain back to the oil pan.
- Check oil level and add oil as necessary. See Subsection 5.7.7—Check Lubricating Oil Level and Drain Hose.
- Install fill cap.

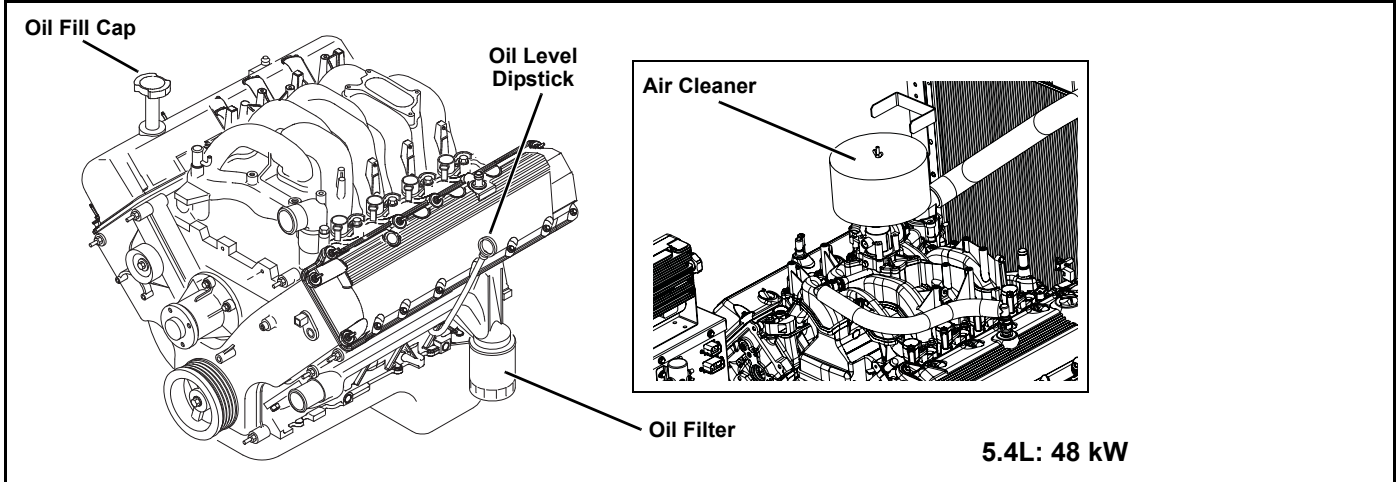
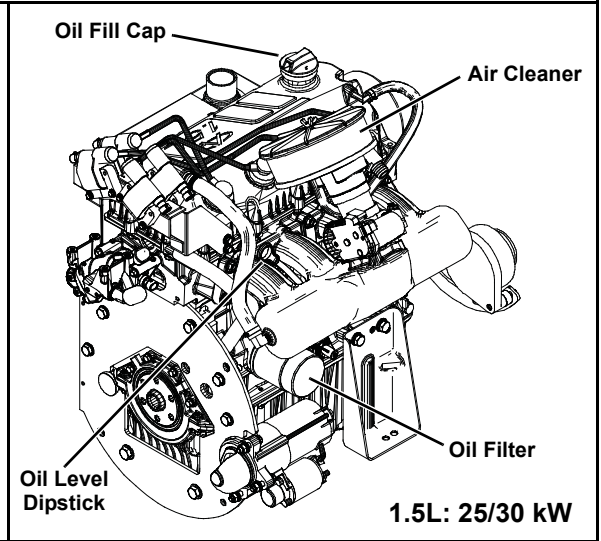
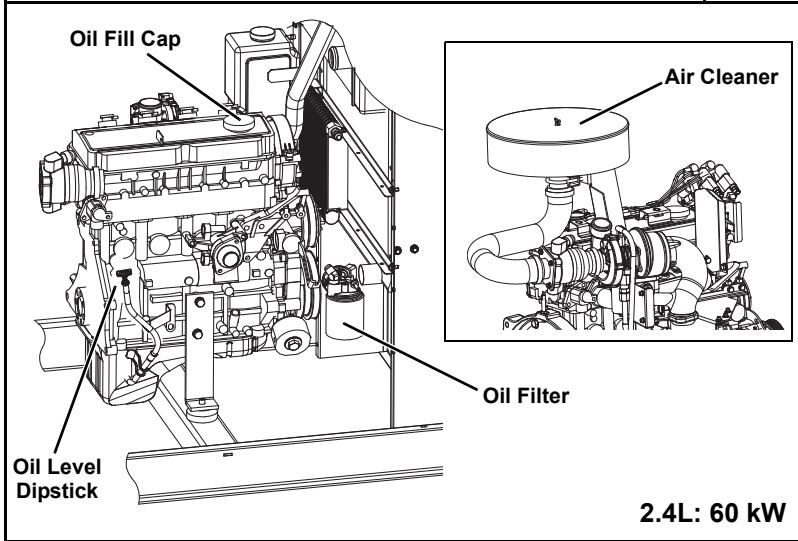
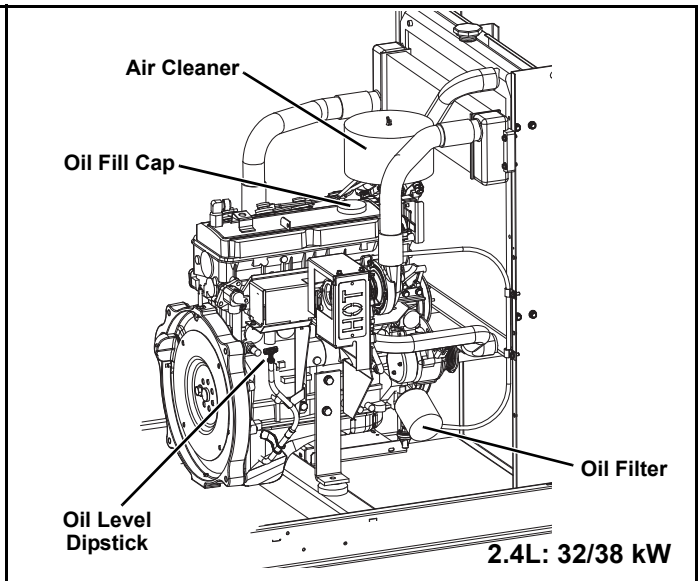
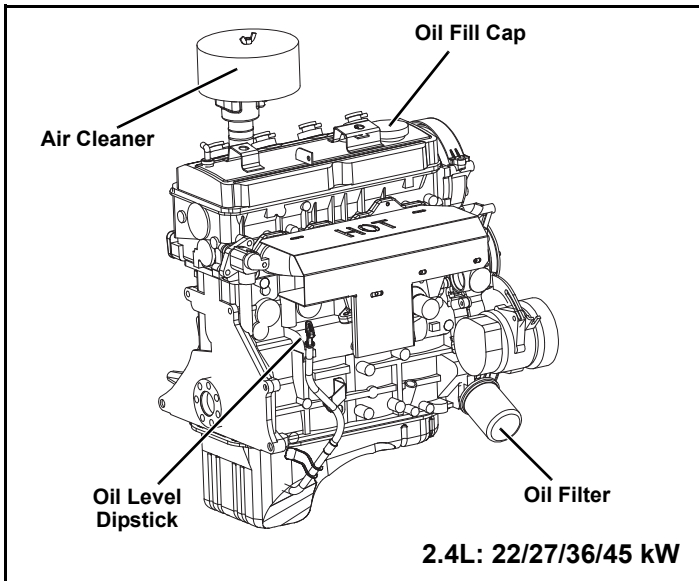
**NOTE: On 36 kW, 45 kW, and 60 kW models, open shutoff valve to enable Lube Oil Maintainer System.**

**NOTE: Dispose of used oil and oil filter at a proper collection center.**





***Figure 5-8. Oil Drain Hose, Fill Cap, Dipstick and Filter***



## Figure 5-9. Engine Oil and Air Cleaner Maintenance (All Models)

### 5.7.9— Check Battery Condition/Fluid Level

#### 5.7.9.1— Check Condition and Clean

1. Verify that top of battery is clean and dry. Dirt and electrolyte on top of the battery can cause battery to self-discharge. Clean battery top with a solution of baking soda (sodium bicarbonate) and water (5 teaspoons baking soda per quart or liter of water). When solution stops bubbling, rinse off the battery with clean water.
2. Clean cable clamps and battery terminals using a wire brush or sandpaper to remove any oxidation.
3. Inspect battery screws, clamps and cables for breakage, loose connections and corrosion. Tighten and clean as necessary.
4. Check the battery posts for melting or damage caused by over tightening.
5. Inspect battery for discoloration, raised top or a warped or distorted case, which might indicate that the battery has been frozen, overheated or overcharged.
6. Inspect the battery case for cracks or leaks.
7. Check the battery fluid level of unsealed batteries. See Subsection 5.7.9.2—Check Fluid Level.
8. Check the battery state of charge. See Subsection 5.7.9.3—Check State of Charge.
9. Replace battery if necessary. See Subsection 5.7.9.4—Battery Replacement.

#### 5.7.9.2— Check Fluid Level

Check the fluid level of unsealed batteries. If necessary, fill with distilled water only. DO NOT use tap water.

#### 5.7.9.3— Check State of Charge

Check the state of charge using a Digital Multimeter. Recharge and retest if state of charge is below manufacturer's recommendations. Replace battery if necessary.

#### 5.7.9.4— Battery Replacement

##### Removal



**Always disconnect the negative battery cable first. If the positive cable should contact ground with the negative cable installed, the resulting sparks may cause a battery explosion which could result in serious injury.**

1. Remove battery negative cable (black) from battery negative (-) terminal.
2. Remove battery positive cable (red) from battery positive (+) terminal.
3. Install rubber protective cover over battery positive (+) terminal. See A of Figure 5-11
4. Loosen two screws with nylon washers to release battery hold-down clamp from battery tray.
5. Grasp battery strap, and lift battery from battery tray. See B of Figure 5-11
6. Remove rubber protective cover from battery positive (+) terminal.

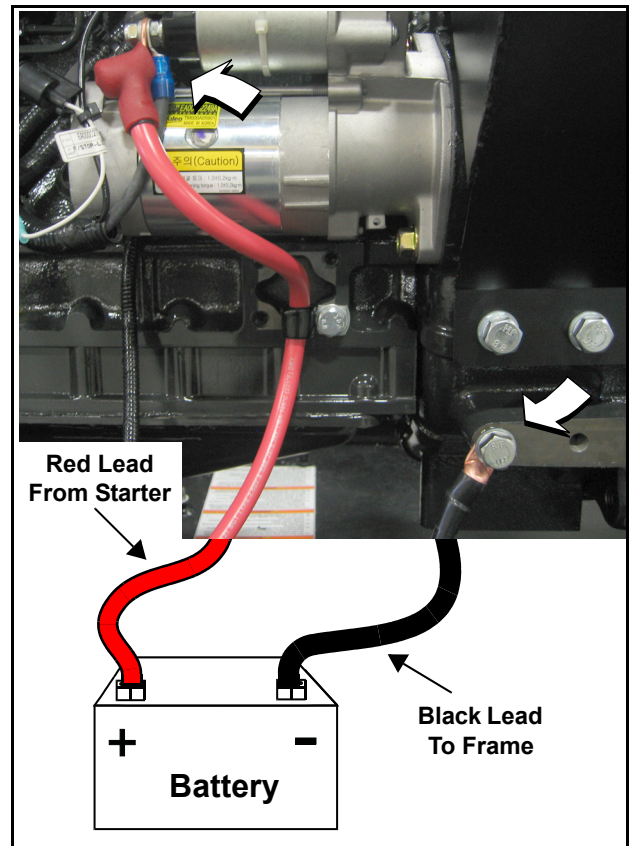


Figure 5-10. Battery Cable Connections

### ⚠ CAUTION!

## Installation

**⚠ CAUTION!**

**Always connect the positive battery cable first. If the positive cable should contact ground with the negative cable installed, the resulting sparks may cause a battery explosion which could result in serious injury.**

1. Install rubber protective cover over battery positive (+) terminal. See A of Figure 5-11
2. Grasp battery strap and lift battery. See B of Figure 5-11
3. Set battery onto battery tray.
4. Tighten two screws with nylon washers to secure hold-down clamp to battery tray.
5. Remove rubber protective cover from battery positive (+) terminal.
6. Install battery positive cable (red) to battery positive (+) terminal.
7. Install battery negative cable (black) to battery negative (-) terminal.

**NOTE: If continuing with Schedule A maintenance procedures, leave the battery negative cable (black) disconnected.**

### 5.7.10— Check and Adjust Accessory/Drive Belt

#### 5.7.10.1— Check

Check the accessory/drive belt condition.

1. Perform visual inspection as follows:
  - Inspect belt for cracks, fraying, excessive wear or other damage.
  - Verify that belt is free of grease and oil. Replace belt if contaminated.

**NOTE: Use a solution of soap and warm water to clean pulleys, if necessary. Avoid use of solvents, but if used, always follow by a soap and water wash.**

2. Check the fan belt deflection. Adjust the belt deflection as follows:
  - Using a suitable gauge, apply 22 lbs (10 kgf) force midway between the water pump and alternator pulleys. See Figure 5-12

**NOTE: 5.4L (48 kW) units are provided with an automatic belt tensioner and do not need adjustment.**

- Take note of gauge reading. If belt deflection is not within specification, see Subsection 5.7.10.2—Adjust.

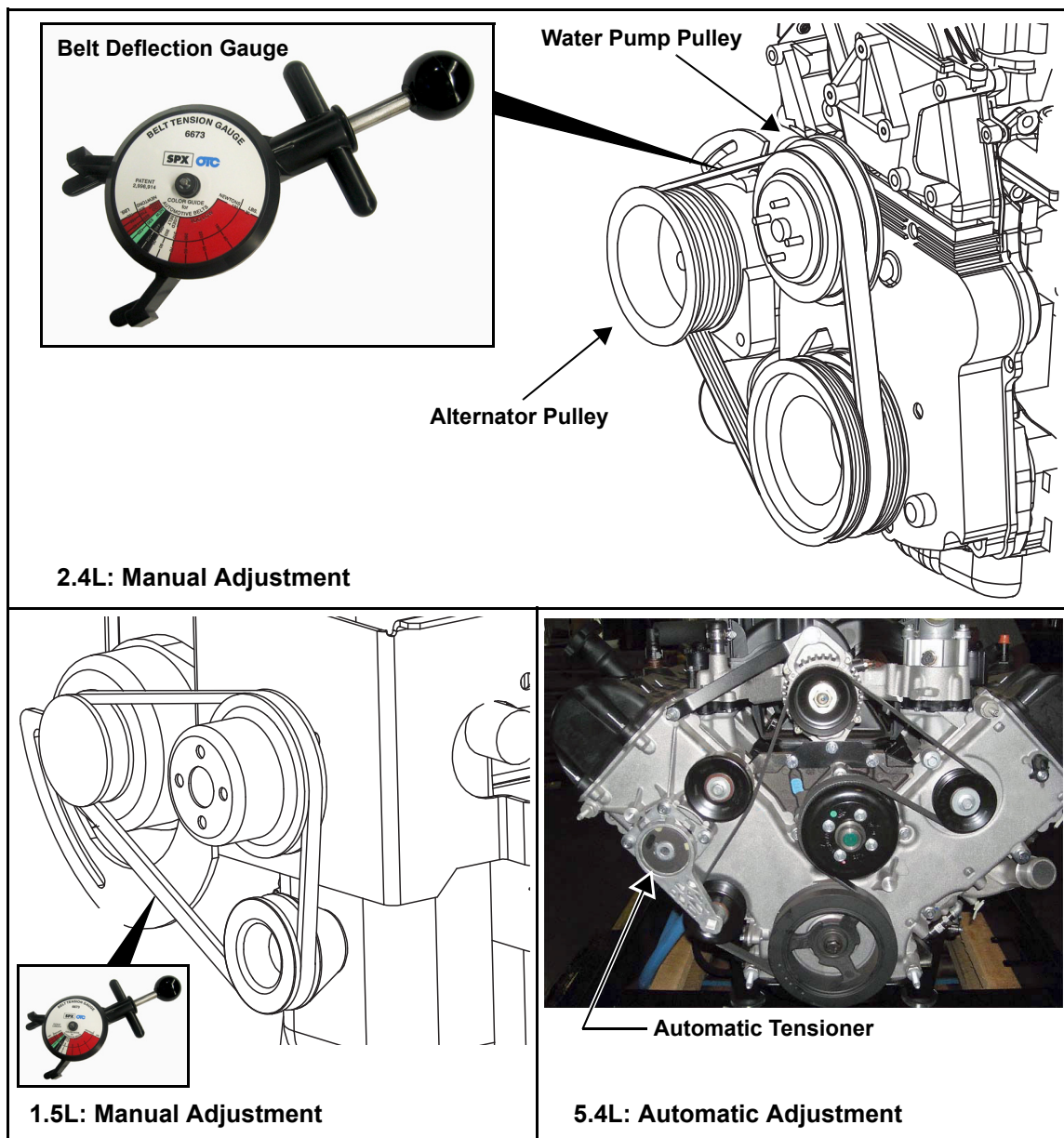
Belt Deflection	English	Metric
	3/8 - 5/8 Inches	7.6 - 12.7 cm

#### 5.7.10.2— Adjust

1. Loosen DC alternator tension bracket screw. Rotate alternator outward to reduce belt deflection, rotate inward to increase belt deflection.
2. Tighten DC alternator tension bracket screw to 17-22 ft-lbs (23-30 N-m).
3. Recheck belt deflection and repeat steps as necessary.



**Figure 5-11. Remove/Install Battery**



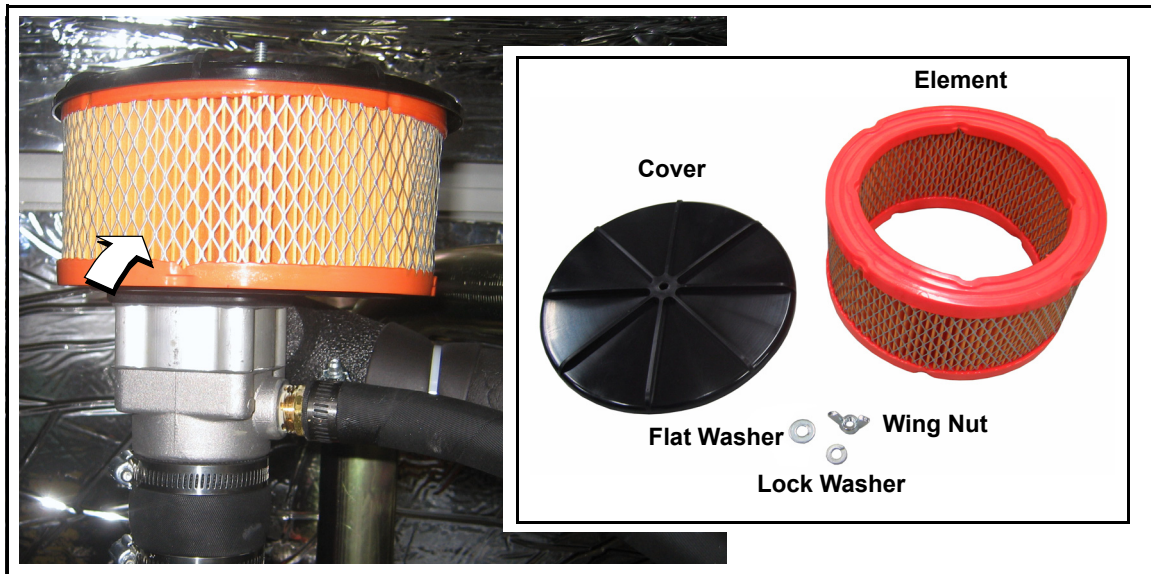
**Figure 5-12. Check Accessory/Drive Belt Deflection**

### 5.7.11— Replace Air Filter Element

1. Remove wing nut, lock washer and flat washer from threaded rod to release air cleaner cover. See Figure 5-13
2. Remove the air filter element and discard.
3. Thoroughly clean air cleaner cover of any dust, dirt, or debris.
4. Place **new** air filter element against adapter flange.

**NOTE: The air filter element is not directional.**

5. Install air cleaner cover over threaded rod. Install flat washer, lock washer and wing nut. Tighten wing nut until snug.



**Figure 5-13. Air Cleaner Cover and Filter Element**

**NOTE:** Service kits are available from Independent Authorized Service Dealers.

### 5.7.12— Final Instructions

If only performing Schedule A maintenance procedures, proceed as follows:

1. Install battery negative cable (black) onto battery negative (-) terminal.
2. Install left and right side access panels. See Subsection 5.2 —Access Panels.
3. See Subsection 5.10 —Return To Service.

## 5.8 — Schedule B Maintenance

**NOTE:** Perform Schedule B maintenance every two years or after 250 hours of service, whichever comes first. Before proceeding below, first perform all tasks listed under Schedule A Maintenance.

**NOTE:** The 2.4L (32 kW) unit is depicted in the artwork used in this manual. For the general location of components in all other models, see Subsection 5.8.1—Schedule B Maintenance Item Locations.

### 5.8.1— Schedule B Maintenance Item Locations

**NOTE:** The side of the enclosure with the viewing window is identified as the rear of the generator set. The right and left sides are identified by standing at the rear and looking towards the front of the unit.

Model	22/27 kW	25/30 kW	32/38 kW	36/45 kW	48 kW	60 kW
Engine	2.4L	1.5L	2.4L	2.4L	5.4L	2.4L
Coolant Drain Hose	L	R	L	L	R	L
Radiator Fill Cap	T	T	T	T	T	T
Coolant Overflow Reservoir	L	L	L	L	L	L
Spark Plugs	L	R	L	L	B	L
R = Right Side      L = Left Side      B = Both Sides      T = Top						

### 5.8.2— Drain/Flush Coolant System

1. Disconnect and empty coolant overflow reservoir.
2. Install and connect coolant overflow reservoir.

**▲ WARNING!**



Verify that the engine is cool before removing the radiator cap. The cooling system is under pressure, so steam and hot liquid can come out forcefully when the cap is loosened.

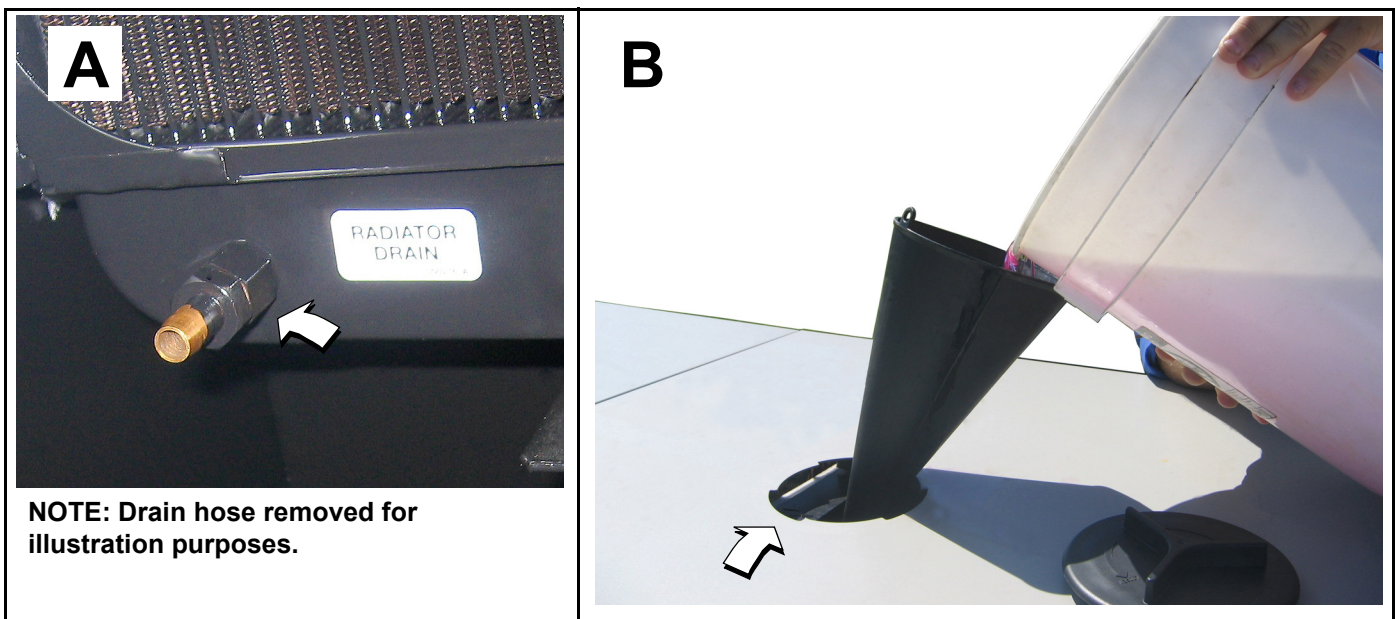
3. Rotate and remove plastic cover at top of enclosure.
4. Slowly unscrew radiator cap.
5. Locate drain cock at bottom left side of radiator.

**NOTE:** If unit is not equipped with drain hose, install suitable length of rubber hose to drain cock.

6. Rotate hex fitting to open drain cock. See A of Figure 5-14
7. Remove coolant drain hose from holding clamp.
8. Use wrench to hold hex on hose fitting (to prevent rotation), and use second wrench to remove drain plug.
9. Drain coolant into a suitable container.
10. Install plug at end of drain hose.
11. Install drain hose in holding clamp.
12. Rotate hex fitting to close radiator drain cock.
13. Obtain the recommended quantity and type of coolant. See Subsection 2.5 —Coolant Water Treatment.

System Coolant Capacity						
Model	22/27 kW	25/30 kW	32/38 kW	36/45 kW	48 kW	60 kW
Engine	2.4L	1.5L	2.4L	2.4L	5.4L	2.4L
2.0 gallons (7.6 liters)		○				
2.5 gallons (9.5 liters)	○		○	○		○
3.0 gallons (11.4 liters)					○	

14. Insert funnel into filler neck of radiator. See B of Figure 5-14
15. Slowly pour coolant into filler neck until radiator is full.
16. Install radiator cap.
17. Press MANUAL on the control panel to start the engine. A blue LED illuminates to confirm that the system is in the MANUAL mode.
18. Allow engine to run until the thermostat opens, as indicated by heating of the top radiator hose.
19. Check coolant hoses for leaks. Tighten clamps, if necessary.
20. Press OFF on the control panel to shut the engine down.
21. Wait for the engine to cool.
22. Repeat steps 4-21 to drain and refill cooling system.
23. Slowly unscrew radiator cap. Slowly pour coolant into filler neck until radiator is full.
24. Add coolant to the overflow reservoir. See Subsection 5.7.5—Check Coolant Level and Hoses.
25. Install plastic cover at top of enclosure and rotate until tight.
26. Check hoses for nicks, cuts, tears or general deterioration. Replace as necessary.



**Figure 5-14. Drain/Fill Coolant System**

### 5.8.3— Clean/Gap/Replace Spark Plugs

Clean, gap or replace spark plugs as follows:

#### **⚠ DANGER!**



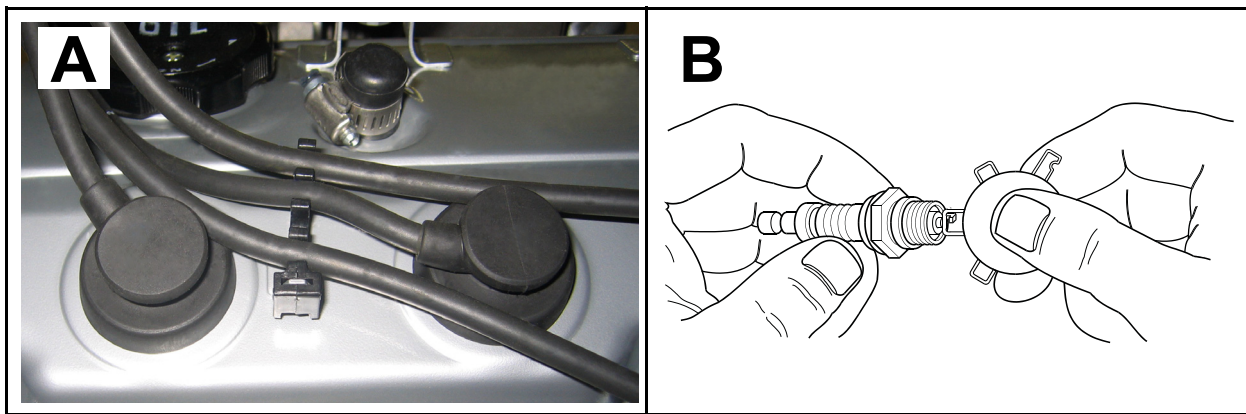
**Never disconnect a spark plug with the engine running. Doing so will result in an electric shock that could result in death or serious injury.**

1. Remove battery negative cable (black) from battery negative (-) terminal.
2. Remove spark plug cables from spark plug terminals. See A of Figure 5-15

**NOTE: When disconnecting spark plug cable from spark plug terminal, always grasp and pull on the boot at the terminal end of the cable. Pulling on cable portion can result in parts damage.**

3. Thoroughly clean area around spark plugs.
4. Remove spark plugs from cylinder head using a 5/8 inch spark plug socket.





**Figure 5-15. Adjust Spark Plug Gap**

5. Check condition of threads in cylinder head and on spark plugs. If necessary, soften deposits with penetrating oil and clean out with a thread chaser.
6. Clean spark plugs using a wire brush and commercial solvent. Do not blast spark plugs. Use **new** spark plugs if necessary.
7. See B of Figure 5-15 Check spark plug gap using a wire feeler gauge. Adjust gap by carefully bending ground electrode as follows:

Spark Plug Gap						
Model	22/27 kW	25/30 kW	32/38 kW	36/45 kW	48 kW	60 kW
Engine	2.4L	1.5L	2.4L	2.4L	5.4L	2.4L
0.71 mm (0.028 in.)			○			○
0.9 mm (0.035 in.)		○				
1.07-1.17 mm (0.042-0.046 in.)	○			○		
1.29-1.45 mm (0.051-0.057 in.)					○	

8. Finger tighten spark plugs into cylinder head, and then using a spark plug socket, tighten as follows:

Spark Plug Torque		
Engine	ft-lbs	N-m
1.5L, 2.4L	18	25
5.4L	13	18

9. Install spark plug cables onto spark plug terminals.
10. Verify that spark plug cables are captured in cable clips at top of valve cover.

### 5.8.4— Final Instructions

If only performing Schedule A and Schedule B maintenance procedures, proceed as follows:

1. Install battery negative cable (black) onto battery negative (-) terminal.
2. Install left and right side access panels. See Subsection 5.2 —Access Panels.
3. See Subsection 5.10 —Return To Service.

## 5.9 — Schedule C Maintenance

**NOTE:** Perform Schedule C maintenance after 1000 hours of service. Before proceeding below, first perform all tasks listed under Schedule A Maintenance and Schedule B Maintenance.

### ⚠ CAUTION!



The following procedures require special tools and skills. Contact an authorized service provider to perform these tasks.

1. Remove battery negative cable (black) from battery negative (-) terminal.
2. Proceed as follows:
  - Replace Timing Belt (2.4L engines only)
  - Tighten Critical Fasteners

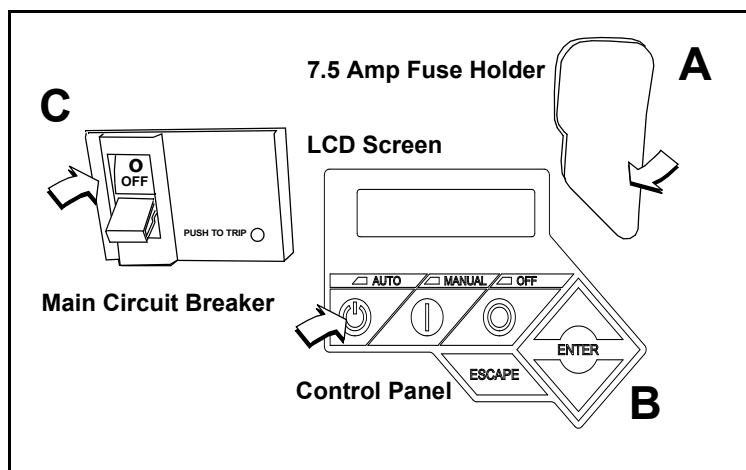
**NOTE:** Reset the A-B-C/Year time maintenance schedule counter using the Dealer Sub Menu (password required).

3. Install battery negative cable (black) onto battery negative (-) terminal.
4. Install front access panel. Install left and right side access panels. See Subsection 5.2 —Access Panels.
5. See Subsection 5.10 —Return To Service.

## 5.10 — Return To Service

After inspection, maintenance or service of the generator, return the unit to service as follows:

1. Pull up rubber flap covering fuse holder and install 7.5 amp fuse. See A of Figure 5-16.
2. Install T1 fuse in transfer switch.
3. Press AUTO on the control panel. A green LED illuminates to confirm that the system is in the AUTO mode. See B of Figure 5-16.
4. Move the Main Circuit Breaker switch up to the ON (Closed) position. See C of Figure 5-16.
5. Close the viewing window.
6. Remove the DO NOT OPERATE tag or placard from both the control panel and transfer switch.
7. Reset the time and date.



**Figure 5-16. Generator Control Panel**

## 5.11 — Lube Oil Maintainer System

### 5.11.1— Description

**NOTE: Oil reservoir is empty when shipped from factory. Fill with clean engine oil to activate the system.**

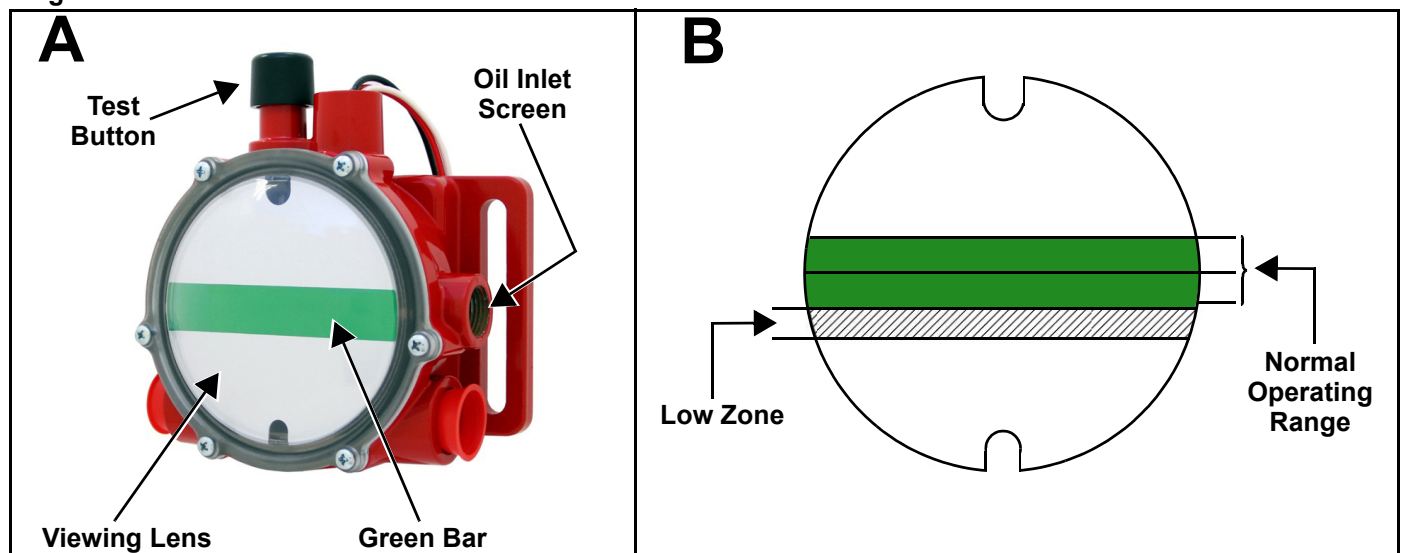
The 36 kW, 45 kW, and 60 kW models are equipped with a Lube Oil Maintainer System. The system is installed at the factory and calibrated at the factory to the correct engine-running crankcase oil level. As needed, the system keeps the engine lubricating oil full by automatically adding clean oil from the oil supply tank.

See A of Figure 5-17. The green bar observed through the viewing lens shows the normal oil level operating range of the Lube Oil Maintainer Regulator during engine running operation. When the oil level is within the green bar, the internal float holds the inlet valve closed to keep the crankcase oil at the current level.

As the engine uses oil, the float drops to open the inlet valve and allow clean oil to be supplied to the crankcase, replenishing engine oil to the full mark indicated on the oil dipstick. The float then rises with the crankcase oil level until it reaches a point where the inlet valve closes.

When the oil level as observed through the viewing lens is below the normal operating range green bar, it is an indication that the oil supply tank is low or the oil inlet screen is clogged. See B of Figure 5-17.

**NOTE: It is normal for the oil level to be above the normal operating range green bar when engine is not running.**

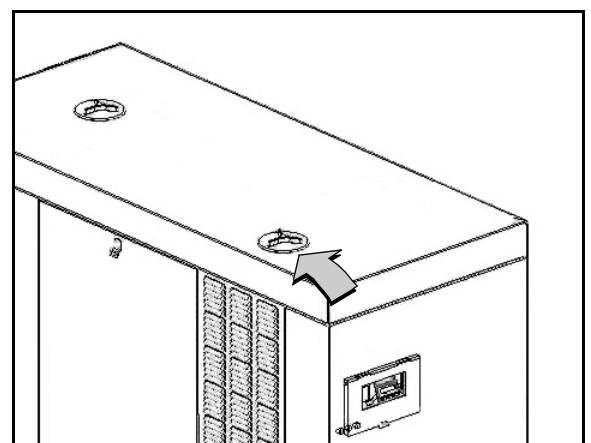


**Figure 5-17. Lube Oil Maintainer Regulator**

**NOTE: When changing engine oil, always close the shutoff valve to avoid draining the clean oil in the oil supply tank with the crankcase oil. See Figure 5-19.**

### 5.11.2— Fill Oil Supply Tank

1. Rotate plastic cover counter-clockwise and remove from top of enclosure. See Figure 5-18.
2. Remove fill cap at top of oil supply tank (Figure 5-20.).
3. Add clean engine oil to oil supply tank (2-1/2 gallons [9.46 liters] capacity).
4. Install fill cap at top of oil supply tank.
5. Install plastic cover at top of enclosure and rotate clockwise until tight.



**Figure 5-18. Access Oil Supply Tank**

### 5.11.3— Test Functionality

See A of Figure 5-17. Momentarily press the test button to confirm that the float is operating correctly.

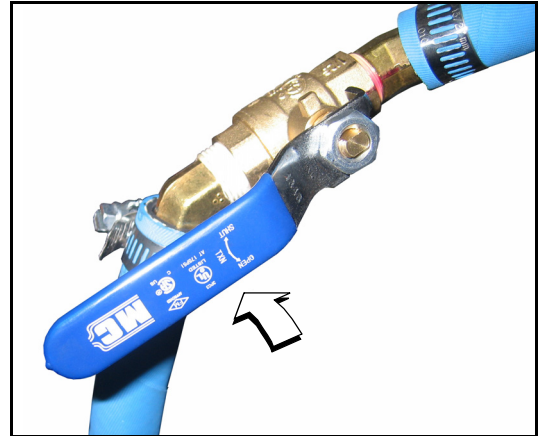
### ⚠ CAUTION!

⚠ Do not hold the test button down for a prolonged period of time or the crankcase can be over filled. Over filling the crankcase can result in engine damage.

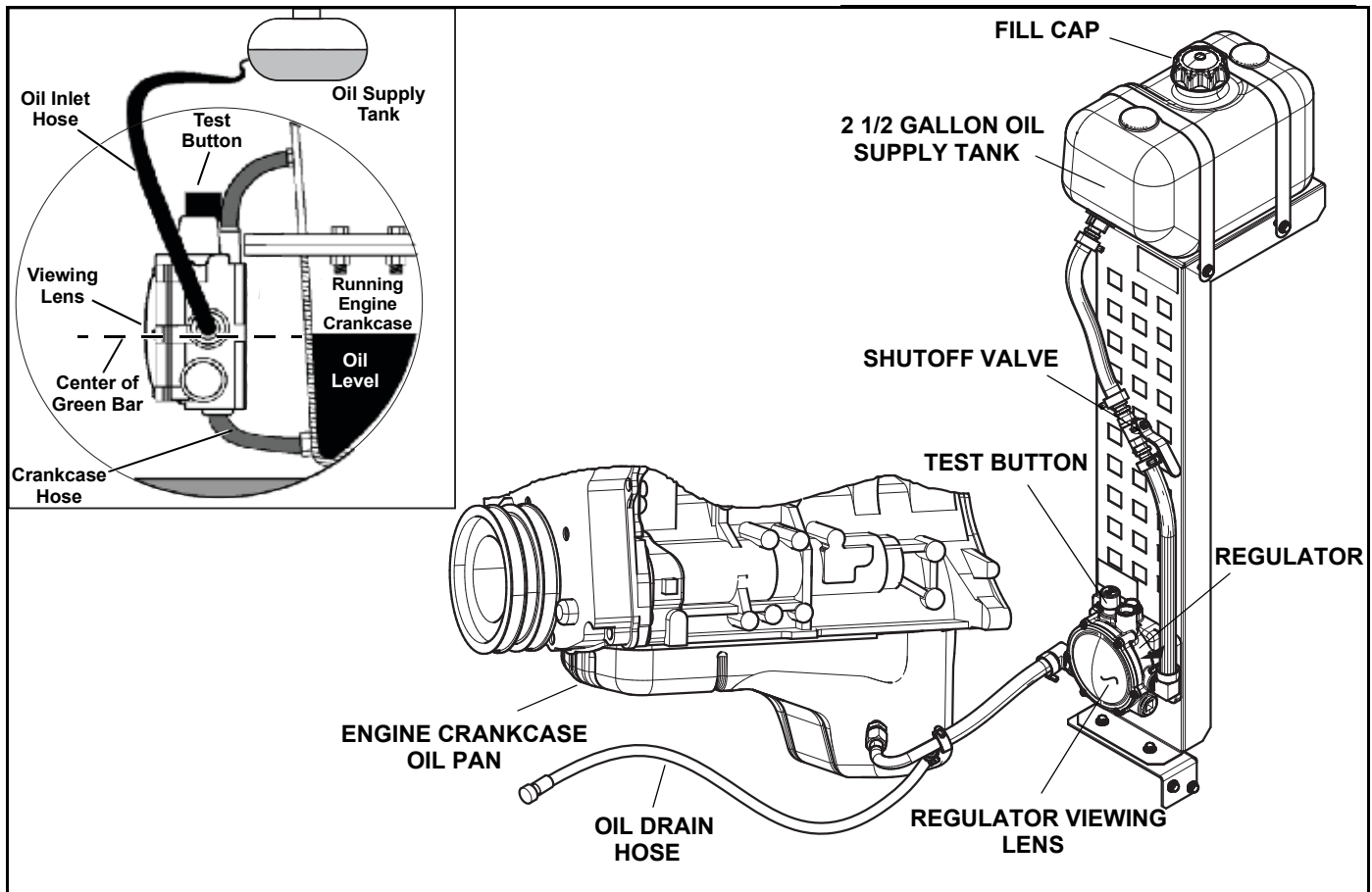
### 5.11.4— Shutoff Valve

See Figure 5-19 and Figure 5-20. When draining engine crankcase oil, always close shutoff valve to avoid draining clean oil from supply tank.

After filling crankcase with clean oil, remember to open shutoff valve to enable operation of Lube Oil Maintainer System.



**Figure 5-19. Shutoff Valve (Shown in Open Position)**



**Figure 5-20. Lube Oil Maintainer Assembly and Function Diagram**

## Section 6 *Troubleshooting*

### 6.1 — Engine Troubleshooting

Problem	Cause	Correction
The engine will not crank.	Fuse blown.	Replace 7.5 amp fuse in generator control panel. Correct short circuit condition if fuse blows again.
	Loose, corroded or defective battery cables.	Tighten, clean or replace as necessary.*
	Defective starter contact.	Tighten, clean or replace as necessary.*
	Defective starter motor.	Tighten, clean or replace as necessary.*
	Dead Battery.	Charge or replace battery.
The engine cranks but will not start.	Out of fuel.	Replenish fuel. Turn on fuel valve.
	Defective fuel solenoid.	*
	Open F1 7.5 amp fuse.	Replace F1 7.5 amp fuse if fuse blows again.*
	Open F2 15 amp fuse.	Replace F2 15 amp fuse if fuse blows again.*
	Defective fuel system.	*
	No fuel supply.	Turn on fuel supply.*
The engine starts hard and runs rough.	Air cleaner plugged or damaged.	Check/replace air cleaner.
The generator is set to OFF, but the engine continues to run.	Defective keypad.	*
	Defective control board.	*
There is no AC output from the generator.	Main line circuit breaker is in the OFF (OPEN) position.	Reset circuit breaker to ON (CLOSED) position.
	Generator internal failure.	*
There is no transfer to standby after utility source failure.	Defective transfer switch coil.	*
	Defective transfer relay.	*
	Transfer relay circuit open.	*
	Defective control logic board.	*
Unit consumes large amounts of oil.	Engine over filled with oil.	Adjust oil to correct level.
	Engine breather defective.	*
	Incorrect oil type or viscosity.	See Engine Oil Recommendations.
	Damaged gasket, seal or hose.	Check for oil leaks.
* Contact an Independent Authorized Service Dealer for assistance.		

## 6.2 — Controller Troubleshooting

Active Alarm	Problem	Solution
NOT ACTIVATED	Unit will not start in AUTO with utility loss.	Refer to activation section in Owner's Manual.
NONE	Unit running in AUTO but no power in house.	Check MLCB. Contact servicing dealer if MLCB is in the ON position.
NONE	Unit will not start in AUTO with utility loss.	Check screen for start delay countdown. If the start up delay is greater than expected, contact servicing dealer to adjust from 2 to 1500 seconds.
HIGH TEMPERATURE	Unit shuts down during operation.	Check ventilation around the intake, exhaust and rear of generator. Contact servicing dealer if no obstruction is found.
OVERLOAD	Unit shuts down during operation.	Clear alarm and remove loads from the generator. Put back in AUTO and restart.
RPM SENSE LOSS	Unit was running and shuts down, attempts to restart.	Clear alarm and remove loads from the generator. Put back in AUTO and restart. If problem returns, contact servicing dealer to investigate possible fuel issue.
LOW OIL PRESSURE	Unit will not start in AUTO with utility loss.	Check oil level. Add oil per Owner's Manual. Contact servicing dealer if oil level is correct.
RPM SENSE LOSS	Unit will not start in AUTO with utility loss.	Clear alarm. From the MAIN menu on the control panel, navigate to the BATTERY MENU. Contact servicing dealer if battery is GOOD. Replace battery If CHECK BATTERY is displayed.
OVERCRANK	Unit will not start in AUTO with utility loss.	Clear alarm. Attempt to start the unit in MANUAL. If it does not start or starts and runs rough, contact servicing dealer.
OVERSPEED	Unit will not start in AUTO with utility loss.	Contact servicing dealer.
UNDER VOLTAGE	Unit will not start in AUTO with utility loss.	Contact servicing dealer.
UNDERSPEED	Unit will not start in AUTO with utility loss.	Contact servicing dealer.
MISWIRE	Unit will not start in AUTO with utility loss.	Contact servicing dealer.
OVERVOLTAGE	Unit will not start in AUTO with utility loss.	Contact servicing dealer.
LOW BATTERY	Warning active.	Clear alarm. From the MAIN menu on the control panel, navigate to the BATTERY MENU. Contact servicing dealer if battery is GOOD. Replace battery If CHECK BATTERY is displayed.
BATTERY PROBLEM	Warning active.	Contact servicing dealer.
CHARGER WARNING	Warning active.	Contact servicing dealer
SERVICE SCHEDULE A	Warning active.	Perform SERVICE SCHEDULE A maintenance; press ENTER to clear.
SERVICE SCHEDULE B	Warning active.	Perform SERVICE SCHEDULE B maintenance; press ENTER to clear.
SERVICE SCHEDULE C	Warning active.	Perform SERVICE SCHEDULE C maintenance; press ENTER to clear.

## 6.3 — Removal From Service During Utility Outages

If, during prolonged utility outages, the user wishes to remove the unit from service to conserve fuel, reduce run hours, or to perform maintenance tasks, then complete the steps listed below.

**IMPORTANT NOTE: Failure to abide by this procedure can result in equipment damage.**

To remove the generator from service while running in AUTO and online, proceed as follows:

1. Turn the main utility disconnect to OFF (Open).
2. Open the viewing window. See Subsection 3.4 —Open Viewing Window.
3. Move the Main Circuit Breaker switch down to the OFF (Open) position.
4. Press OFF on the control panel. A red LED illuminates to confirm that the system is in the OFF mode.

**NOTE: If inspection and/or maintenance tasks are to be performed, complete the additional steps listed below.**

5. Remove T1 fuse from transfer switch.
6. Pull up rubber flap covering fuse holder and remove 7.5 amp fuse.
7. Remove battery negative cable (black) from battery negative (-) terminal.
8. Place a DO NOT OPERATE tag or placard on both the control panel and transfer switch.

To return the generator to service, proceed as follows:

**NOTE: If inspection and/or maintenance tasks were performed, start with step 1. If the unit was just shut down to conserve fuel or to reduce run hours, start at step 5.**

1. Install battery negative cable (black) onto battery negative (-) terminal.
2. Pull up rubber flap covering fuse holder and install 7.5 amp fuse.
3. Install T1 fuse in transfer switch.
4. Remove the DO NOT OPERATE tag or placard from both the control panel and transfer switch.
5. Press AUTO on the control panel. A green LED illuminates to confirm that the system is in the AUTO mode. Allow the generator to start and run for a few minutes.
6. Move the Main Circuit Breaker switch up to the ON (Closed) position.
7. Turn the main utility disconnect to ON (Closed).
8. Close the viewing window.

## 6.4 — Storage

### 6.4.1— Prepare For Storage

If the generator cannot be exercised every **seven** days and will be out of service longer than 90 days, prepare for storage as follows:

1. Open the viewing window. See Subsection 3.4 —Open Viewing Window.
2. Press MANUAL on the control panel to start the engine. A blue LED illuminates to confirm that the system is in the MANUAL mode.
3. Allow the engine to run until it reaches normal operating temperature.
4. Press OFF on the control panel. A red LED illuminates to confirm that the system is in the OFF mode.
5. Move the Main Circuit Breaker switch on the control panel down to the OFF (Open) position.
6. Pull up rubber flap covering fuse holder and remove 7.5 amp fuse.
7. Turn off utility power to the transfer switch.
8. Place a DO NOT OPERATE tag or placard on both the control panel and transfer switch.
9. Wait five minutes for the engine to cool.
10. Remove left and right side access panels. See Subsection 5.2 —Access Panels.

**NOTE: On 36 kW, 45 kW, and 60 kW models, close shutoff valve to avoid draining the oil supply tank with the crankcase oil. For more information, see Subsection 5.11 —Lube Oil Maintainer System.**

11. Remove oil drain hose from holding clamp.
12. Use one wrench to hold hex on hose fitting (to prevent rotation), and use second wrench to remove drain plug.
13. Drain oil into a suitable container.
14. Install drain plug onto end of oil drain hose.
15. Install oil drain hose into holding clamp.
16. Rotate oil filter counterclockwise to remove from oil filter adapter.
17. Apply a light coat of clean engine oil to gasket of **new** oil filter.
18. Install oil filter by hand until gasket just contacts oil filter adapter. Tighten oil filter an additional 3/4 to one full turn.
19. Remove oil fill cap and fill engine with the recommended oil. See Subsection 2.3 —Engine Oil Recommendations.
20. Install oil fill cap.

**NOTE: Dispose of used oil and oil filter at a proper collection center.**

**⚠ WARNING!**



**Always disconnect the negative battery cable first. If the positive cable should contact ground with the negative cable installed, the resulting sparks may cause a battery explosion which could result in serious injury.**

21. Remove battery negative cable (black) from battery negative (-) terminal.
22. Remove battery positive cable (red) from battery positive (+) terminal.
23. Remove two screws to release battery hold-down clamp from platform.
24. Remove battery and store on a wooden board in a cool, dry room. Do not store the battery on a concrete or earthen floor.
25. Install left and right side access panels. See Subsection 5.2 —Access Panels.
26. Thoroughly clean and wipe down the generator. See Subsection 2.9 —Corrosion Protection.

### 6.4.2— Return From Storage

To return the unit to service after storage, proceed as follows:

1. Thoroughly clean and wipe down the generator. See Subsection 2.9 —Corrosion Protection.
2. Remove left and right side access panels. See Subsection 5.2 —Access Panels.
3. Install battery onto tray oriented with the negative (-) post toward the front of the enclosure.
4. Install two screws with nylon washers to secure battery hold-down clamp to tray.
5. Check battery. See Subsection 5.7.9—Check Battery Condition/Fluid Level..

**⚠ WARNING!**



**Always connect the positive battery cable first. If the positive cable should contact ground with the negative cable installed, the resulting sparks may cause a battery explosion which could result in serious injury.**

6. Install battery positive cable (red) onto battery positive (+) terminal.
7. Install battery negative cable (black) onto battery negative (-) terminal.
8. Check oil level and add oil as necessary. **DO NOT OVERFILL.**

**NOTE: On 36 kW, 45 kW, and 60 kW models, open shutoff valve to enable Lube Oil Maintainer System.**

9. Open the viewing window. See Subsection 3.4 —Open Viewing Window.
10. Pull up rubber flap covering fuse holder and install 7.5 amp fuse.
11. Move the Main Circuit Breaker switch up to the ON (Closed) position.



12. Press MANUAL on the control panel to start the engine. A blue LED illuminates to confirm that the system is in the MANUAL mode.
13. Allow the engine to run until it reaches normal operating temperature. Check for leaks while the engine is running.
14. Press OFF on the control panel. A red LED illuminates to confirm that the system is in the OFF mode.
15. Install left and right side access panels. See Subsection 5.2 —Access Panels.
16. Turn on utility power to the transfer switch.
17. Press AUTO on the control panel. A green LED illuminates to confirm that the system is in the AUTO mode.
18. Reset the time and date.
19. Close the viewing window.

## **6.5 — Attention After Submersion**

Do NOT start and operate the generator if it has been submerged in water. Have a Dealer thoroughly clean, dry, and inspect the generator following any submersion. If the structure (home) has been flooded, it should be inspected by a certified electrician to ensure there won't be any electrical problems during generator operation or when utility power is returned.

**This page intentionally left blank.**

**This page intentionally left blank.**

Part No. 0K8185 Rev. A 02/16/2015 Printed in USA  
©2015 Generac Power Systems, Inc. All rights reserved  
Specifications are subject to change without notice.  
No reproduction allowed in any form without prior written  
consent from Generac Power Systems, Inc.

Generac Power Systems, Inc.  
S45 W29290 Hwy. 59  
Waukesha, WI 53189  
1-888-GENERAC (1-888-436-3722)  
[generac.com](http://generac.com)