



GENERAC® TRANSFER SWITCH™

GenReady® Load Center and Transfer Switch

DESCRIPTION

The GenReady load center is a hybrid panel that operates as a normal load center and also allows for seamless integration of standby generators. It is available in a NEMA 1 configuration for indoor installations, or in a NEMA 3R configuration for outdoor applications. For installation flexibility, it is multi-listed for use with multiple breaker manufacturers.

GENREADY™ LOAD CENTER FEATURES

- 200 amp
- 40 circuit capacity with the use of tandem breakers
- Multi listed for use with Siemens, Square D and GE 1" breakers
- Dimensions are the same as a standard 42-space main load center
- Utilizes standard Siemens components
- Protect up to 18 circuits, up to 30 with the use of tandem breakers
- 10 circuits available for non-protected loads
- Circuits can easily be shifted from protected to non-protected and vice versa
- ETL listed for service equipment and consumer safety
- Models available with or without EZ Transfer Operator™ factory installed
- Single panels are compatible with generators rated up to 125 Amps/30 kW
- Multiple GenReady load centers can be supported with a single generator
- Flush Mount NEMA 1 Enclosure or NEMA 3R Enclosure

Model 005448-2 (NEMA 1 Basic)
Model 005449-2 (NEMA 1 Advanced)
Model 005453-2 (NEMA 3R Basic)
Model 005454-2 (NEMA 3R Advanced)
Model 005447-0 (EZ Transfer Operator™)



EZ TRANSFER™ OPERATOR FEATURES

- Factory installed on the GenReady Advanced model. Can be easily installed in the field on the GenReady Basic with available kit
- Allows for manual or automatic operation

Please Note: The GenReady Panel is designed to be directly compatible with any Generac manufactured product. Use of another manufacturer's generator may require the purchase and installation of additional sensing and control components.



PRODUCT OPTIONS

NEMA 1
GenReady Basic Load Center
Model Number 5448



Includes:

- 125A Circuit Breaker
- 125A Lower Panel Circuit Switch
- 200A Main Circuit Breaker

NEMA 1
GenReady Advanced Load Center with EZ Transfer Operator™
Model Number 5449



Includes GenReady Basic plus:

- EZ Transfer Operator™
- 125A Lower Panel, Generator Circuit Switch
- 15A Double Pole Breaker for Sensing Circuit
- Plus all other components found in the field installation kit.

NEMA 3R
GenReady Advanced Load Center with EZ Transfer Operator™
Model Number 5454



Includes GenReady Basic plus:

- EZ Transfer Operator™
- 125A Lower Panel, Generator Circuit Switch
- 15A Double Pole Breaker for Sensing Circuit
- Plus all other components found in the field installation kit.

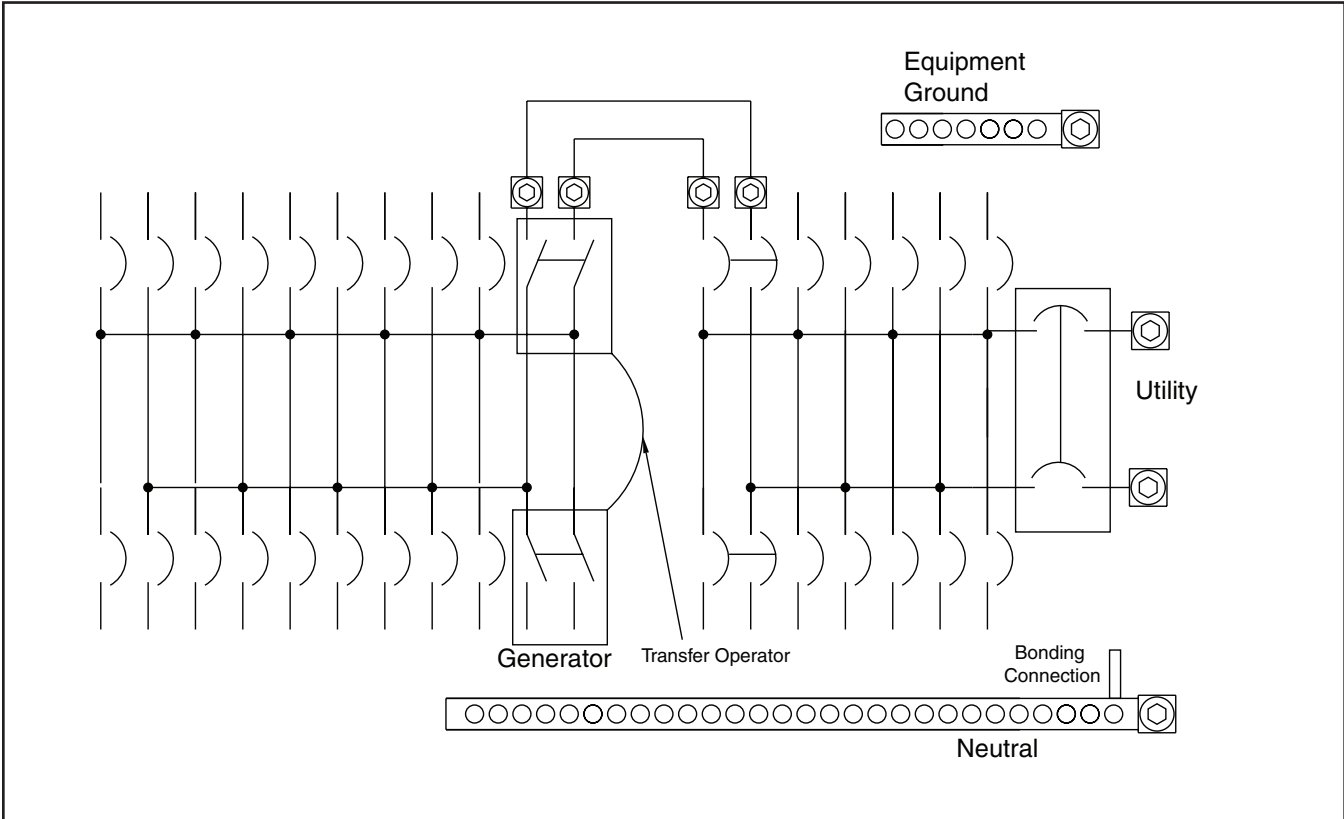
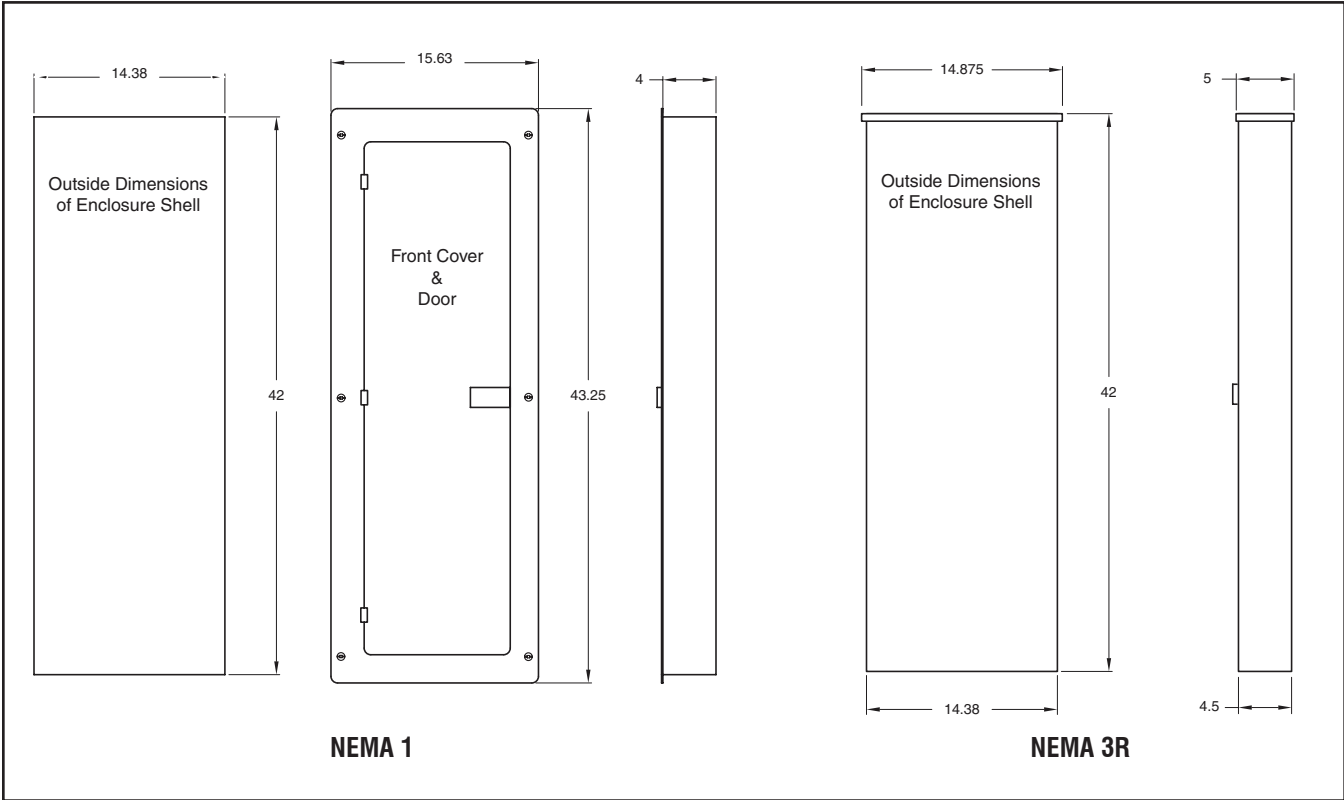
EZ Transfer Operator™
Field Installation Kit
Model Number 5447



Transfer Operator Field Installation Kit Includes:

- Transfer Operator
- 15A Double Pole Breaker for Generator Sensing Circuit
- 125A Lower Panel, Generator Circuit Switch
- Hold Down Bracket
- Interlock Bar
- Mounting Hardware
- Decals
- Installation Guide

UNIT DIMENSIONS

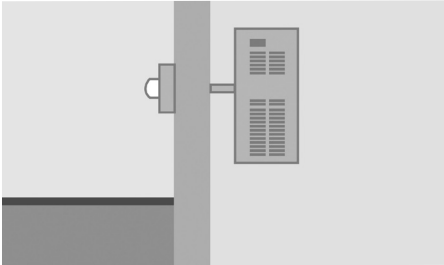


SPECIFICATIONS

Enclosure.....	NEMA Type 1, or NEMA 3R, galvanized G90 steel w/ polyester powder coat
Main Breaker	200 Amp
Generator Switch	125 Amp
Main breaker wire size	# 1 to 300 mcm Cu-Al
Generator switch wire size	# 2 to 1/0 Cu, 1/0-2/0 Al
Neutral Lug	# 6 to 300 mcm
Ground Lug.....	# 14- 2/0
Maximum number of circuits (standard 1" breakers / tandem breakers)	
Protected circuits	18/30
Non-protected circuits	10/NA
Total circuits.....	28/40
Withstand rating Main bus (amps).....	10,000
Meets NEC wire bending space.....	Yes
ETL listed.....	Yes
Seismically qualified to meet UBC code.....	Yes
Weight – GenReady Basic w/o EZ transfer operator (GenReady Advanced with EZ transfer operator)	45.5 lbs. (49 lbs.)
Operating temperature range	-20° F to 140° F

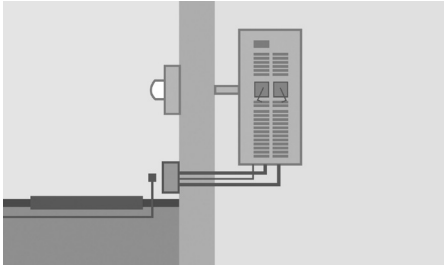
INSTALLATION OPTIONS

GenReady Basic



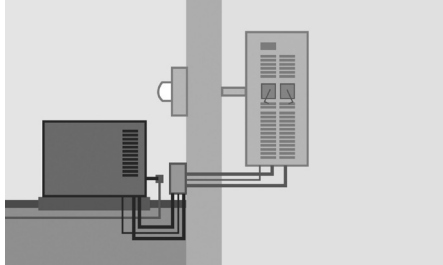
The GenReady load center is installed without the EZ Transfer Operator™. It replaces the home's main load center. This option will save the homeowner thousands in upgrade costs when a generator is installed.

GenReady Advanced



The GenReady load center is installed with the EZ Transfer Operator™. All fuel and electrical lines (contractor supplied) are installed to the planned generator site along with the generator pad (if required). The home is completely wired and ready for the addition of a generator in the future.

GenReady Complete



Everything included in the GenReady Advanced level is installed along with an automatic standby generator. The home's selected circuits will be backed up by generator power whenever the utility is lost.

The NEMA 3R GenReady installation is similar but is suitable for outdoor installations.