

# MLE/MLG21PD

EXPORT MODEL  
STACK WASHER/DRYER



## LEGENDARY MAYTAG DEPENDABILITY

Maximizing your equipment investment for over a half century.

## A COMPLETE LINE OF ENERGY-EFFICIENT SOLUTIONS

Maytag brand offers a complete line of high-efficiency commercial laundry appliances—from energy-efficient dryers to highly efficient ENERGY STAR®-qualified washers—to help you save money and build profits.

## MICROPROCESSOR CONTROLS, COIN-DROP

Maytag® Computer Trac controls are easy to program and operate. Plus, they give owners the flexibility to set vend prices by day, time, water temperature and Super Cycle options.

## SAVE SPACE AND CUT UTILITY COSTS

A Maytag® commercial stack washer/dryer gives you a full-size high-efficiency washer and a super-capacity dryer in the space of a washer alone.

## FOR YOUR CUSTOMERS:

- Single Payment System
- Large Capacity For Bulky Items—3.1-cu.-ft. Capacity Washer/ 6.7-cu.-ft. Capacity Dryer
- High-Speed Extraction Cuts Drying Time (up to 1,000 RPMs)
- 180° Door Opening With Heavy-Duty Die-Cast Hinge
- Display Panel Angled For Easy Viewing
- Easy-To-Use, One-Touch Cycle Selection
- Quick Cycle Reduces Total Wash Time

## FOR YOUR OPERATION:

- Super Cycle Option Increases Revenue
- Accu Trac® Audit System With Two-Way Data Communication
- Card Reader Compatible
- Automatic Load Balancing
- Built-in Oversudsing Protection
- TurboVent™ Dryer Technology
- Reversible Door, Dryer Only

## BUILT-TO-LAST™ FEATURES:

- Precision Endurance Drive



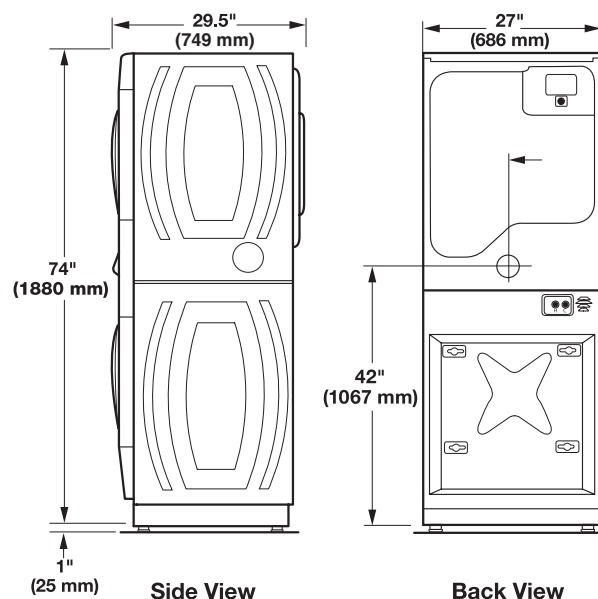
DHS 0800 888 334  
03 351 3036  
[www.directhospitalitysupplies.co.nz](http://www.directhospitalitysupplies.co.nz)



**MLE/MLG21PD**  
**EXPORT MODEL**  
**STACK WASHER/DRYER**  
**MICROPROCESSOR CONTROLS**

| <b>WASHER SPECIFICATIONS</b>   |                     |
|--|---------------------|
| <b>EXPORT MODEL</b>  | <b>MLE/MLG21PD</b>  |
| <b>MOTOR</b>   |                     |
| Variable-speed, reversible, thermoprotected, high-efficiency, controlled induction | Yes                 |
| Wash—HP (kw)   | .09 (.07)           |
| Extract—HP (kw)  | .54 (.40)           |
| Average washer energy consumption per cycle (kWh)                                  | 0.054               |
| <b>CAPACITY</b>  |                     |
| Cylinder volume—cu. ft. (liters)   | 3.1 (88)            |
| Cylinder diameter—in. (mm)   | 21.6 (547)          |
| Cylinder depth—in. (mm)  | 13.4 (340)          |
| <b>WATER INLET/HOSE</b>  |                     |
| Inlet hose length/drain hose length—ft. (m)  | 4 (1.22)/6 (1.83)   |
| Water supply pressure—psi (bar)  | 20–100 (1.4–6.9)    |
| <b>APPROXIMATE WATER USAGE—GALLONS (LITERS)</b>                                    |                     |
| Average hot water usage, hot water cycle   | 3.3 (12.5)          |
| Average hot water usage, warm water cycle  | 1.3 (4.9)           |
| Average total water usage per cycle  | 11.96 (45.3)*       |
| <b>SPEED</b>   |                     |
| Wash speed—RPM   | 40                  |
| Extract speed—max RPM/max g-force  | 1,000/306           |
| <b>SOUND LEVEL</b>   |                     |
| Sound pressure level, Lpa (dBA) (Kpa: ± 3.6 dBA)                                   | 58                  |
| <b>DRYER SPECIFICATIONS</b>  |                     |
| <b>MOTOR</b>   |                     |
| Variable-speed, reversible, thermoprotected, high-efficiency, controlled induction | Yes                 |
| HP (kw)  | .33 (.25)           |
| Tumble speed—RPM   | 50 ± 1              |
| <b>CAPACITY—CU. FT. (LITERS)</b>   |                     |
| MLE export models—watts  | 4,600               |
| MLG gas export models—BTU/hr. (kcal/hr.)   | 20,000 (5,040)      |
| <b>GAS INLET</b>   |                     |
| MLG model—in.  | 3/8 N.P.T.          |
| <b>AIRFLOW</b>   |                     |
| MLG gas models—cfm (cmm)   | 230 (6.5)           |
| MLE electric models—cfm (cmm)  | 215 (6.1)           |
| <b>MACHINE SPECIFICATIONS</b>  |                     |
| <b>ADJUSTABLE LEVELING LEGS</b>  | Yes                 |
| <b>COLOR</b>   | White               |
| <b>APPROXIMATE WEIGHT</b>  |                     |
| Crated—lbs (kg) electric/gas   | 383 (173)/389 (176) |
| Uncrated—lbs (kg) electric/gas   | 372 (169)/378 (171) |
| <b>DIMENSIONS</b>  |                     |
| Width—in. (mm)   | 27 (686)            |
| Depth—in. (mm)   | 29.5 (749)          |
| Height—in. (mm)  | 74 (1,880)          |
| Door opening—washer—sq. in.  | 143                 |
| Door opening—dryer—sq. in.   | 191                 |
| <b>ELECTRICAL REQUIREMENTS—VOLTS/HZ**</b>  |                     |
| MLE & MLG models   | 220–240V/50Hz       |
| <b>BREAKER/FUSE MINIMUM REQUIREMENTS—AMPS</b>                                      |                     |
| MLE electric models  | 25A                 |
| MLG gas model  | 10A                 |

\*Average based on DOE J1 testing with factory preset cycles. Because of continuous product improvements, Maytag reserves the right to change specifications without notice.



\*\*It is recommended that a separate circuit serving only this washer/dryer be provided.



## OUR COMMITMENT TO DEPENDABLE QUALITY

At Maytag brand, we believe durable goods should remain just that. That's why every Maytag® product is constructed of the highest-quality materials and with the utmost in precision craftsmanship. It's also why we stand behind our equipment with solid service and support from our professional Maytag laundry suppliers. Simply put, when you choose Maytag® products, you ensure your peace of mind.