

## SPECIFICATIONS

# MHN33PD

## ENERGY ADVANTAGE™ HE FRONT-LOAD WASHER



### ADVANCED SPIN TECHNOLOGY

- Delivers more accurate cycle times and better unbalanced performance.\*
- A six-point suspension features four dampers and two springs, providing better stability for the entire wash unit.
- An accelerometer provides an accurate reading of cabinet vibration.



### DURACORE DRIVE SYSTEM

- DuraCore Drive System is designed and tested to run 15,000 cycles.\*\*
- Watertight, flexible triple-lip seal with garter spring keeps moisture away from the shaft, protecting the premium bearings.
- Durable shaft sleeve is designed to eliminate shaft wear.



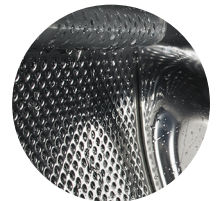
### INTELLIGENT CONTROLS WITH M-SERIES TECHNOLOGY

- Provides powerful profits for owners and flexibility for customers.
- Enhanced controls allow customized setup; each cycle and option can be priced individually, maximizing revenue.



### ENERGY-EFFICIENT CLEANING

- ENERGY STAR®-certified and uses on average 10.71 gallons of water per cycle, which helps reduce energy and water costs.
- TurboWash® System's proven high-efficiency technology delivers energy savings without sacrificing cleaning performance.



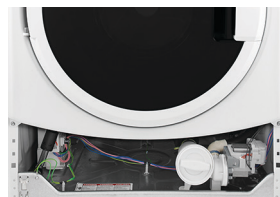
REDESIGNED BELLOW



ROBUST HINGE



DURABLE DISPENSER



FRONT ACCESS PANEL

### CLOTHESPIN® APP BY MAYTAG COMPATIBLE

- Customers will love how convenient it is to do their laundry with the new Clothespin® app by Maytag.
- They can use their smartphones to pay for their laundry, remotely check for available washers and dryers, and receive a notification when their laundry cycles are complete.\*\*\*



\*Compared to previous model, MHN30, based on 18-lb. load.

\*\*Based on 11-lb. load, 34 min. timed cycle, Heavy Soil.

\*\*\*Subject to terms of use and privacy policy. Message and data rates may apply. In Canada, Maytag Connect 360™ Technology compatible only.

# SPECIFICATIONS

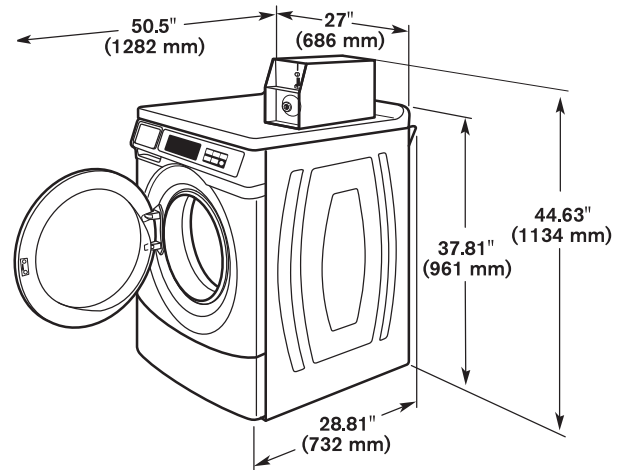
# MHN33PD

# ENERGY ADVANTAGE™ HE FRONT-LOAD WASHER



## MAYTAG® ENERGY ADVANTAGE™ HE FRONT-LOAD WASHER INTELLIGENT CONTROLS, COIN-DROP

| WASHER SPECIFICATIONS  |                  |
|--|------------------|
| <b>MODEL</b>   | MHN33PD          |
| <b>MOTOR</b>   | 1/2 (.37)        |
| Variable-Speed, Reversible, Thermoprotected, High-Efficiency, Controlled Induction | Yes              |
| Wash — HP (kW)   | .09 (.07)        |
| Extract — HP (kW)  | .54 (.40)        |
| Average Energy Consumption Per Cycle (kWh)   | .054             |
| <b>CAPACITY</b>  |                  |
| Cylinder Volume — cu. ft. (liters)   | 3.1 (88)         |
| Cylinder Diameter — in. (mm)   | 21.6 (547)       |
| Cylinder Depth — in. (mm)  | 13.4 (341)       |
| <b>WATER INLET HOSE</b>  |                  |
| Ft. (m)  | 4 (1.22)         |
| <b>DRAIN HOSE</b>  |                  |
| Ft. (m)  | 6 (1.83)         |
| <b>APPROXIMATE WATER USAGE — GALLONS (LITERS)</b>                                  |                  |
| Average Hot Water Usage, Hot Water Cycle   | 2.71 (10.26)     |
| Average Hot Water Usage, Warm Water Cycle  | .71 (2.69)       |
| Average Total Water Usage Per Cycle*   | 10.71 (40.5)     |
| Modified Energy Factor (MEF <sub>J2</sub> )*                                       | 2.2              |
| Integrated Water Factor (IWF)*   | 3.50             |
| <b>ELECTRICAL RATING</b>   |                  |
| Domestic Model — voltage   | 120V / 60Hz      |
| <b>BREAKER / FUSE MIN. REQUIREMENTS</b>  |                  |
| Domestic Model — amps  | 15               |
| <b>WASH SPEED — RPM</b>  | 40               |
| <b>EXTRACT SPEED — MAX RPM / MAX G-FORCE</b>                                       | 1,000 / 300      |
| <b>WATER SUPPLY PRESSURE</b>   |                  |
| Psi (bar)  | 20 – 100 (1 – 8) |
| <b>ADJUSTABLE LEVELING LEGS</b>  | Yes              |
| <b>COLOR</b>   | White            |
| <b>APPROXIMATE WEIGHT</b>  |                  |
| Crated — lbs. (kg)   | 254 (115)        |
| Uncrated — lbs. (kg)   | 245 (111)        |
| <b>DIMENSIONS</b>  |                  |
| Width — in. (mm)   | 27 (686)         |
| Depth — in. (mm)   | 28.81 (732)      |
| Height — in. (mm)  | 44.63 (1,134)**  |
| Door Opening Diameter — in. (mm)**   | 14.25 (362)      |
| ADA-Compliant with Optional Pedestal   | Yes              |
| <b>OPTIONAL PEDESTAL ADD:</b>  |                  |
| Height — in. (mm)  | 2.75 (70)        |



\*Based on 2018 United States DOE J2 testing with factory preset cycles.

\*\*Includes height of metercase.

Dimensions are for planning purposes only. See specific instructions for proper installation. Because of continuous product improvement, Maytag reserves the right to change specifications without notice.

