



PERCH LADDER for BUNK BED

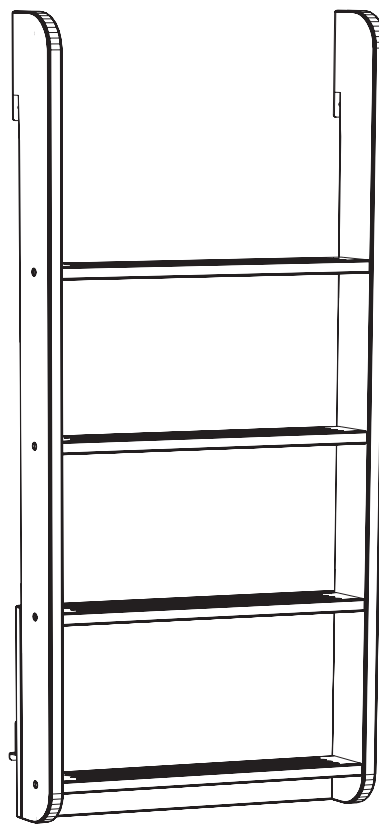
ITEM #'S

.....
USA | CANADA | KOREA : EUROPE | ASIA : AUSTRALIA | NEW ZEALAND
.....

2PTR03

2PTR03-EU

2PTR03-A



ek72681 / ek72725 / ek72726

Oeuf LLC 119 8th Street, Suite 301 | Brooklyn, NY 11215 | USA +1 (718) 965-1216 | www.oeufnyc.com

Distributed internationally by:

Australia

Kido Agencies
Postal: PO Box 6039
Alexandria NSW 2015
Australia
Tel: +61 2 9045 7799
info@kidoagencies.com

Canada

Monte Distribution Inc.
270 Belfield Rd
Toronto, Ontario M9W 1H5
Canada
Tel: +1 866 604 6755
info@oeufcanada.com

Korea

J2 International Inc.
(주) 제이투인터내셔널
서울시 강남구 도산대로 506
재정빌딩 304호
Tel: +82 70 8247 7576

UK

Kids At Home Distribution
Newick Business Centre
Church Road
Newick, BN8 4NA
England
Tel: +01825 724160

EU

Suede Import
20 Bis Rue des Champs
92600 Asnières-sur-Sein
France
Tel: +33 (0)1 40 86 06 03
suedeimport@yahoo.fr

Turkey

Operaistanbul
Cengiz Topel Cad. Tugcular sok.
No:1 Kat 3 Etiler Istanbul
Turkey
Tel: +90 212 321 8132
info@operaisatnbul.com

China

Arketype Limited
7F Metro Loft, 38 Kwai Hei St.
Kwai Chung, N.T.,
Hong Kong
+852 2110 9400
www.arketype.com

Made in Latvia

WARNING

For ages 2 years +

Suffocation and Strangulation Hazard.

Death or Serious Injury Can Occur.

- Infants who cannot get in and out of an adult bed without help can be trapped between a mattress and a wall and suffocate. NEVER place infants in adult beds with or without a bed rail.
- BED RAIL USE: Bed rail can trap young children against mattress, headboard, or footboard.
- Use only for children who have outgrown a crib. NEVER use in place of crib.
- Use only with children who can get in and out of adult bed without help (typically 2 years and up).
- ALWAYS keep bed rail pushed firmly against mattress and at least 9 in. from headboard and footboard.
- DO NOT use a box spring mattress support when using a Bed Rail.

Care & Maintenance

- When cleaning your bed, use a non-toxic, non abrasive cleaner. Mix a solution of water with a small amount of a mild detergent. Apply to bed surface with a damp cloth.
- When moving the bed, always lift the unit. Do not push or drag it to avoid damaging the base.
- It is important that the humidity levels in the room be controlled from extremes of too much humidity or too little. The bed should not be placed directly next to air-conditioning, outlets, fire places, radiators, space heaters, humidifiers, or dehumidifiers. Exposure to extreme variations of temperature and humidity can damage wood products.
- Keep the bed out of direct sunlight. UV rays may fade colors and in some cases darken them. It can cause crazing or hair line cracks in the finish. White finishes will darken naturally over time and exposure to direct sunlight will hasten this natural process along with some wood darkening; this is not considered to be a quality defect.
- If you need to put your bed in storage for any period of time do not store it in a damp or hot environment. Allow air flow around the furniture and do not stack anything on it.

모든 설명서를 읽으세요.

2살 이상 어린이를 위한 주의사항 **질식사고와 목졸림 사고의 위험이 있습니다.** **죽거나 심하게 다칠 수 있습니다.**

- 도움없이 성인용 침대를 올라가거나 내려올 수 없는 유아는 매트리스와 침대 사이에 끼여 질식될 수 있습니다. 침대 안전대의 유무에 관계없이 절대 유아를 성인용 침대에 두지 마세요.
- 침대안전대 사용: 안전대의 사용이 매트리스, 헤드보드, 풋보드 등에 유아를 끼이게 할 수 있습니다.
- 크립(유아용침대)을 사용하기에 큰 아이들을 위해 사용하세요. 절대 크립용으로 사용하지 마세요.
- 도움없이 성인용 침대에 올라가거나 내려올 수 있는 아이들(보통 만2세 이상)을 위해서만 사용하세요.
- 안전대는 항상 매트리스 사이에 공간이 없도록 꼭 부착하시고, 헤드보드와 풋보드로부터 23Cm의 거리를 두셔야 합니다.
- 안전대를 사용할 때에는 너무 높은 박스형 스프링 매트리스 서포트를 사용하지 마세요.

주의사항 및 관리

- 침대를 청소할 때에는 무독성의 비마모성 세제를 사용하세요. 소량의 마일드한 세제를 물에 풀어서 사용하고, 젖은 천으로 침대 표면을 닦아주세요.
- 침대를 옮길 때는 항상 전체를 들어주세요. 침대 하단의 손상을 막기 위해 밀거나 당기지 마세요.
- 방안의 습도가 너무 높거나 너무 낮지 않게 조절해 주셔야 합니다. 침대는 에어컨, 전기콘센트, 벽난로, 라디에이터, 히터, 가습기, 제습기 등에 바로 위치하지 않도록 하셔야 합니다. 온도와 습도를 급격하게 변화를 주면, 나무제품은 손상될 수 있습니다.

ENGLISH Important!

Children can become trapped between the bed and the wall. To avoid risk of serious injury the distance between the bed and the wall must always be less than 65 mm or more than 230 mm.

FRANÇAIS Attention !

Les enfants risquent de se trouver coincés entre le lit et le mur. Pour éviter tout risque de blessure grave, la distance entre le lit et le mur doit toujours être inférieure à 65 mm ou supérieure à 230 mm.

NEDERLANDS Belangrijk!

Kinderen kunnen tussen het bed en de muur beklemd raken. Om het risico op ernstig letsel te voorkomen, moet de afstand tussen het bed en de muur altijd minder dan 65 mm bedragen of meer dan 230 mm.

DEUTSCH Achtung!

Kinder könnten zwischen Bett und Wand steckenbleiben. Zur Vermeidung von Verletzungen muss der Abstand zwischen Bett und Wand immer weniger als 65 mm oder mehr als 230 mm betragen.

ITALIANO Importante!

I bambini possono restare intrappolati tra il letto e la parete. Per prevenire il rischio di danni seri, la distanza tra il letto e la parete deve sempre essere inferiore a mm 65 o superiore a mm 230.

DANSK Vigtigt!

Børn kan sidde fast mellem sengen og væggen. For at undgå risiko for alvorlige skader, skal afstanden mellem sengen og væggen altid være mindre end 65 mm eller mere end 230 mm.

SVENSKA Viktigt!

Barn kan fastna mellan sängen och väggen. För att undvika risk för allvarliga skador skall avståndet mellan sängen och väggen alltid vara mindre än 65 mm eller mer än 230 mm.

MAGYAR Fontos!

A gyerek beszorulhat a fal és az ágy közé. Komoly baleset és sérülés elkerülése érdekében az ágy, és a fal közötti távolság legyen min. 65 mm-nél kevesebb, vagy 230mm-nál nagyobb!

ÍSLENSKA Mikilvægt!

Börn geta fests á milli rúmsins og veggjarins. Til að koma í veg fyrir hættu á alvarlegum meiðslum verður fjarlægðin milli rúmsins og veggjarins alltaf að vera minni en 65 mm og meiri en 230 mm.

ČESKY Důležité!

Děti by mohly uvíznout mezi postelí a stěnou. Abyste předešli vážnému úrazu, dodržte správnou vzdálenost mezi postelí a stěnou. Ta by měla být menší než 65 mm nebo větší než 230 mm.

POLSKI Ważne!

Dzieci mogą zostać uwięzione między łóżkiem a ścianą. W celu zminimalizowania ryzyka poważnych uszkodzeń ciała, odległość między łóżkiem a ścianą powinna wynosić mniej niż 65mm lub więcej niż 230mm.

NORSK Viktig!

Barn kan sette seg fast mellom sengen og veggen. For å unngå alvorlig skade, må avstanden mellom sengen og veggen alltid være mindre enn 65 mm, eller mer enn 230 mm.

ESPAÑOL ¡Importante!

Los niños pueden quedarse atrapados entre la cama y la pared. Para evitar el riesgo de lesiones graves, la distancia entre la pared y la cama debe ser en todo caso menos de 65 mm o mayor de 230 mm.

SUOMI Tärkeää!

Lapsi voi jäädä kiinni sängyn ja seinän väliin. Jotta vakavilta vammoilta välttyttäisi- in, sängyn ja seinän välisen tilan on oltava joko kapeampi kuin 6,5 cm tai leveampi kuin 23 cm.

EESTI Oluline!

Lapsed võivad voodi ja seina vahele kinni jääda. Ohtude vältimiseks peaks voodi ja seina vahele jääma vähem kui 6,5 cm või rohkem kui 23 cm.

LATVIEŠU Svarīgi!

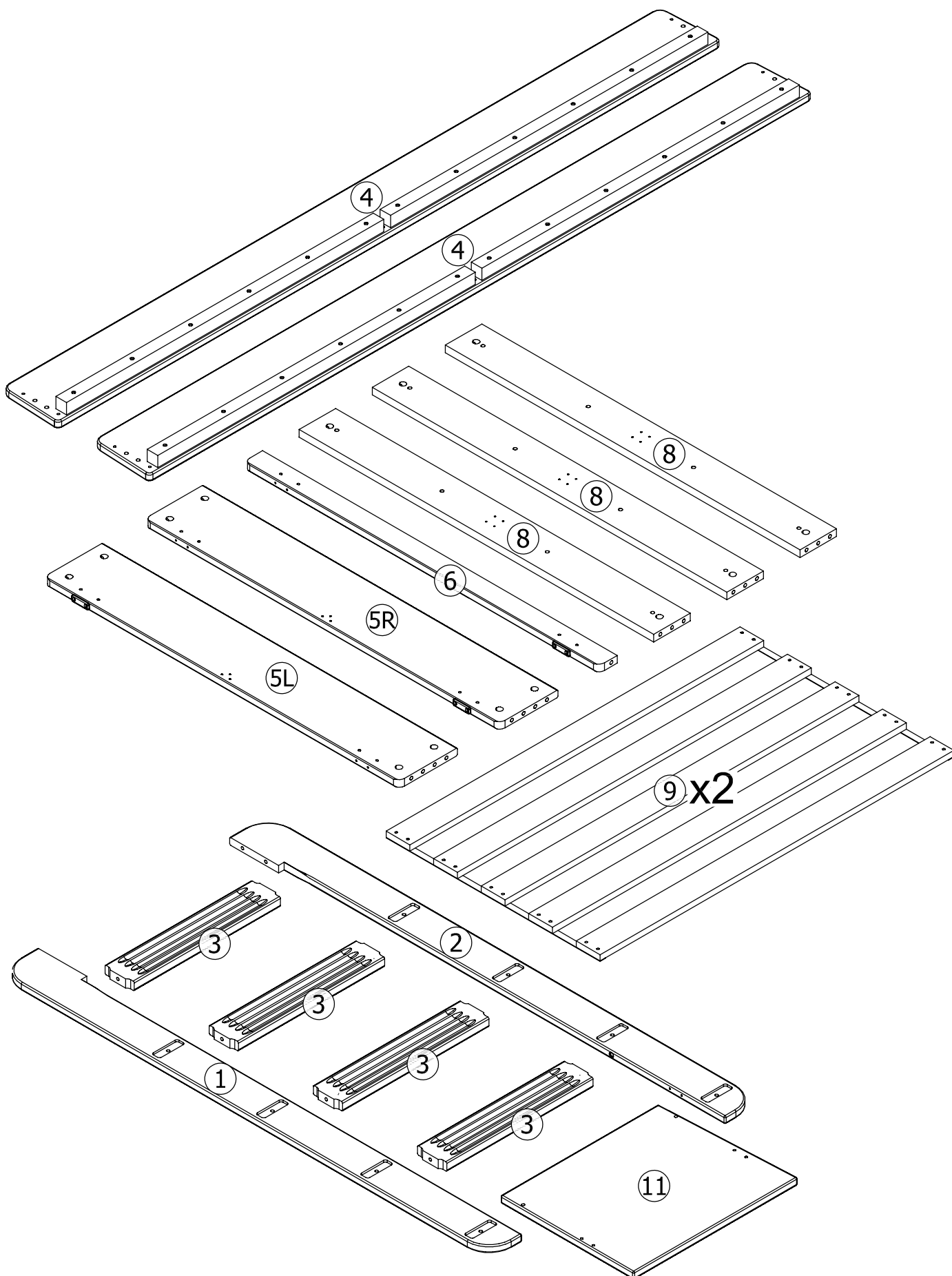
Bērni var iesprūst starp gultu un sienu. Lai izvairītos no nopietnu traumu riska, attālumam no gultas līdz sienai jābūt vai nu mazākam par 65 mm vai lielākam par 230 mm.

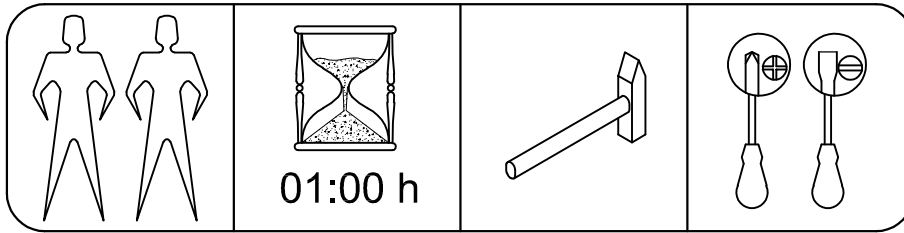
РУССКИЙ Внимание!

Попадание в щель между кроватью и стеной может стать причиной получения ребенком повреждений. Для предотвращения подобных повреждений расстояние между стеной и кроватью должно быть меньше 65 мм или больше 230 мм.

Parts List - Bunkbed

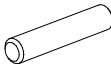
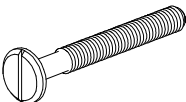
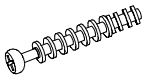


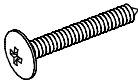
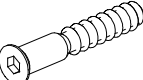
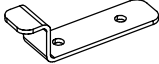
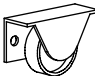
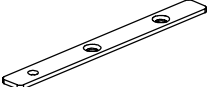
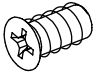
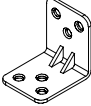
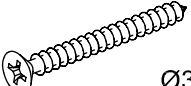

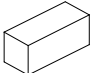
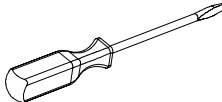
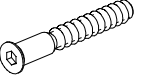
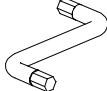
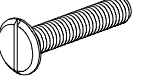
Liste des Pièces

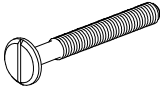




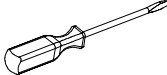
Fittings List - Bunkbed

Liste des Pièces

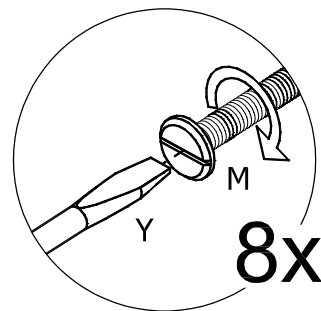
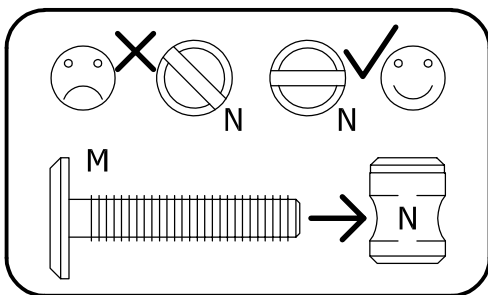
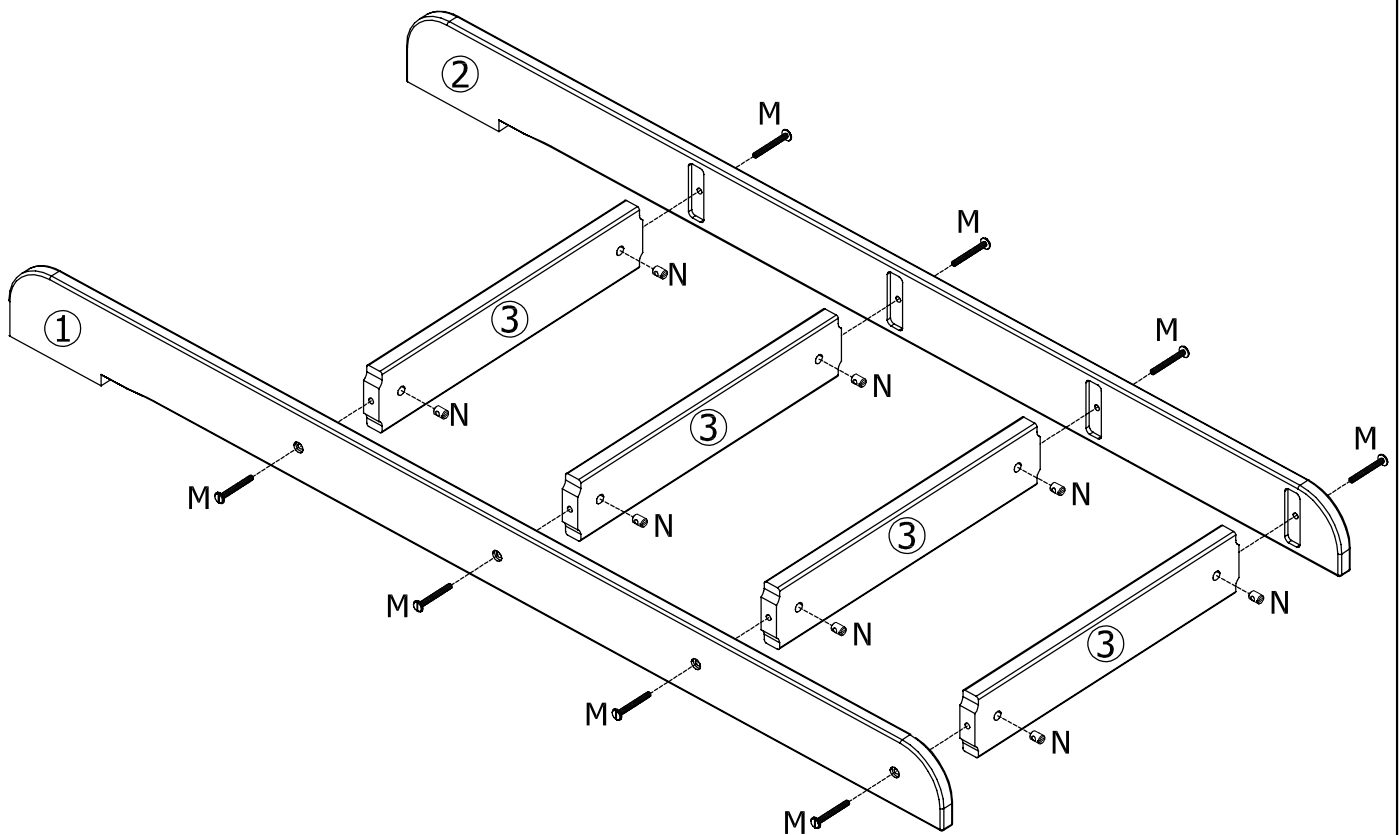
A		Ø8x30	22 pcs	M		M6x50	8 pcs
B		Ø5/11x34	14 pcs	N		Ø10/14	8 pcs
C		Ø15x13,8	14 pcs	P		Ø4,2x32	4 pcs
D		Ø7x40	4 pcs	Q			2 pcs
E		Ø35	3 pcs	R			2 pcs
F		Ø6,5/5,8x11	6 pcs	S			2 pcs
G		Ø3,5x30	2PTR03 40 pcs	T		Ø4x16	10 pcs
H		29x29x70mm	1 pc	Y			1 pc
K		Ø7x50	4 pcs	Z			1 pc
L		M6x30	2 pcs				

M		M6x50	8 pcs
---	---	-------	-------

N		Ø10/14	8 pcs
---	---	--------	-------

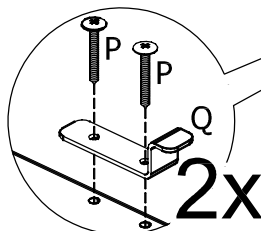
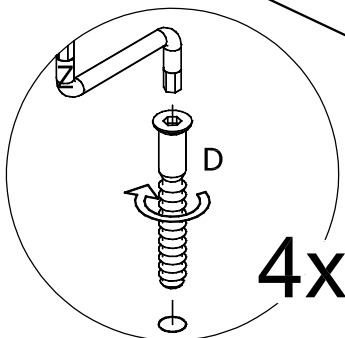
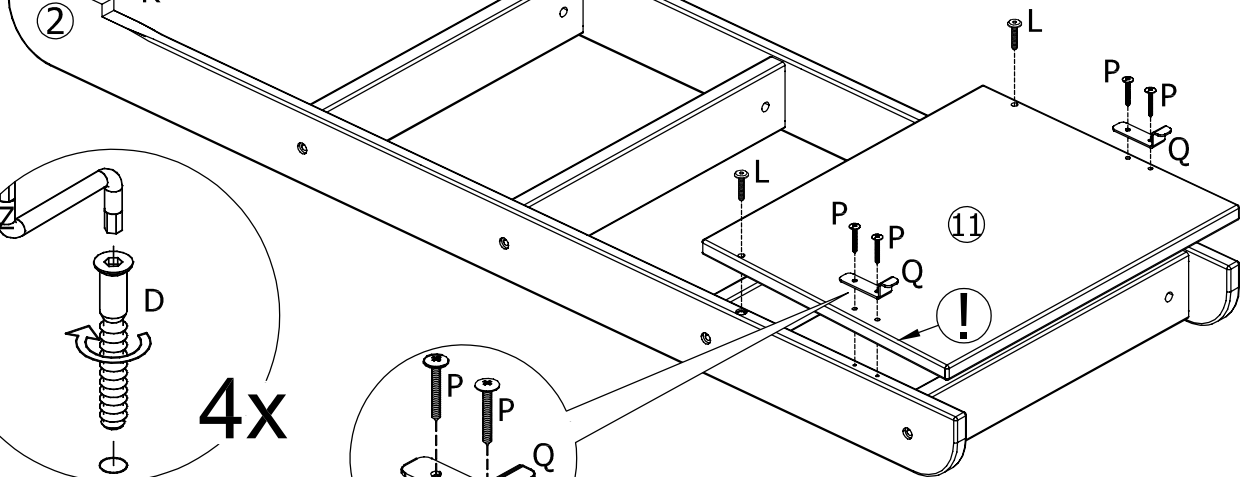
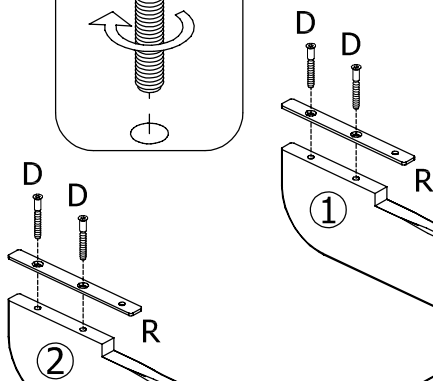
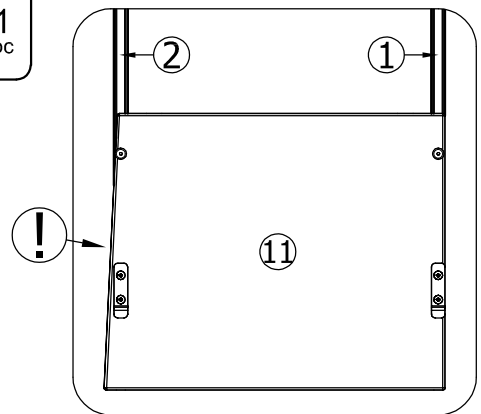
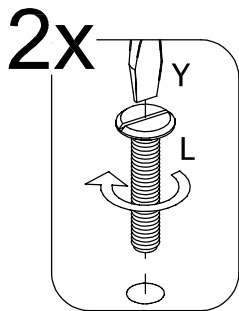
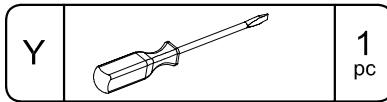
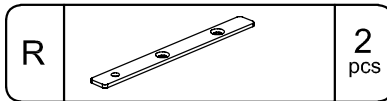
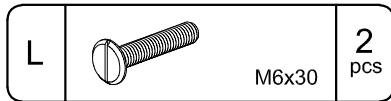
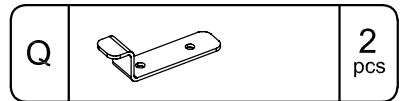
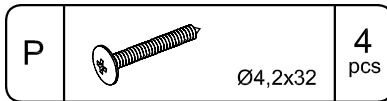
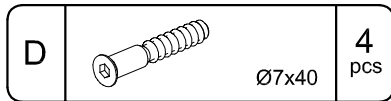
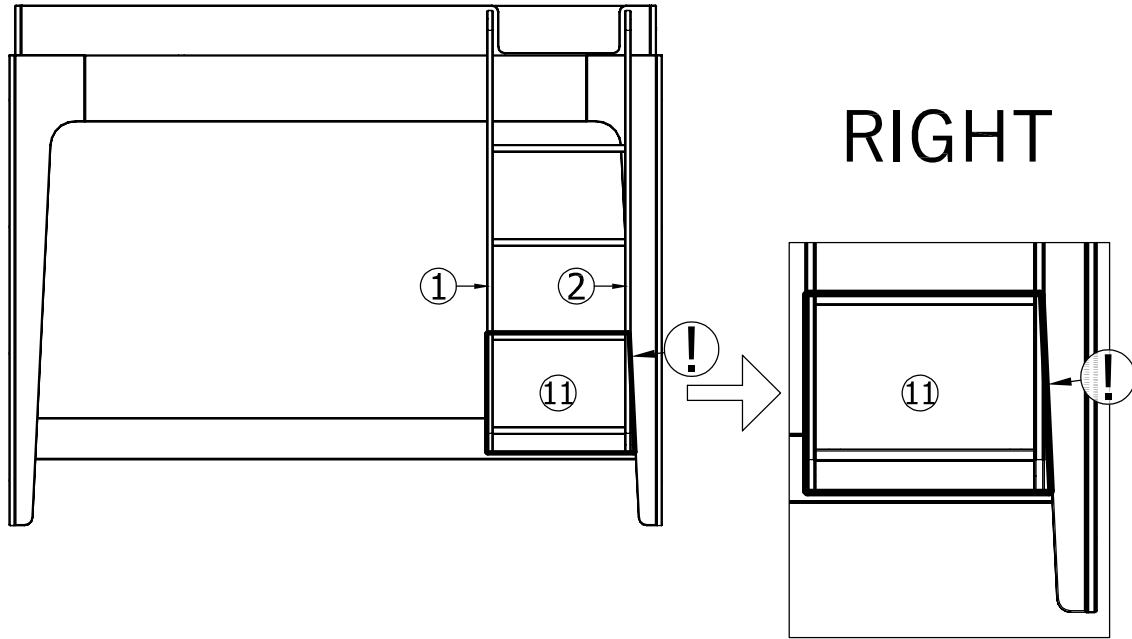
Y		1 pc
---	---	------

1



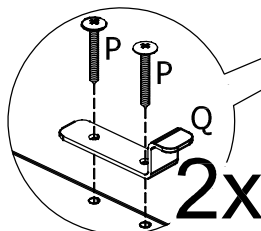
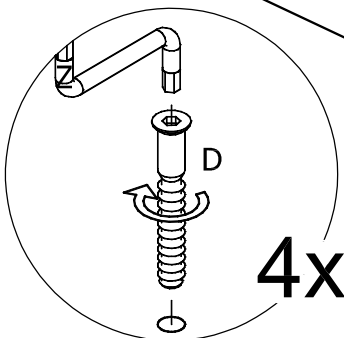
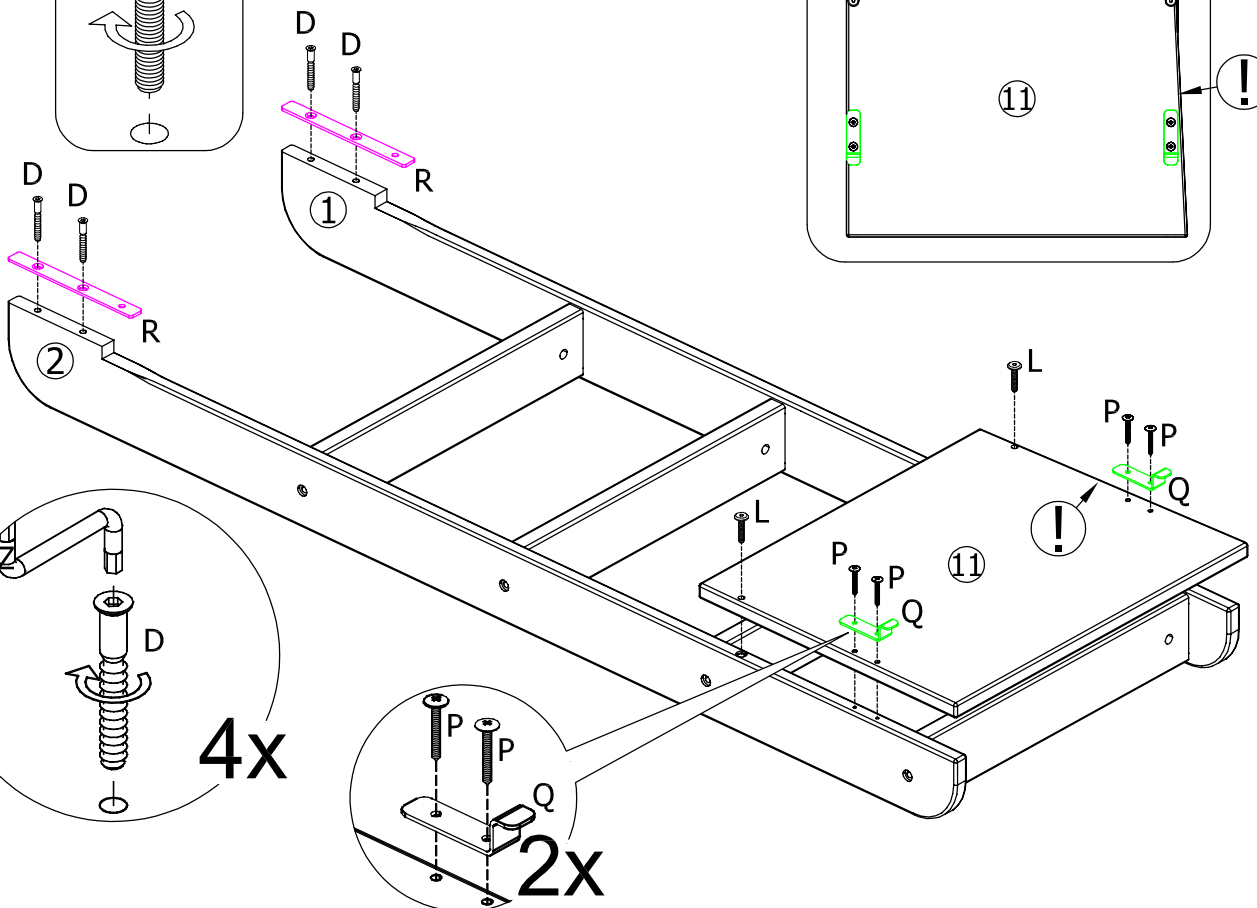
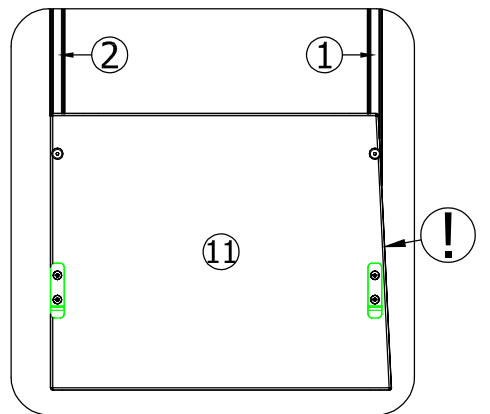
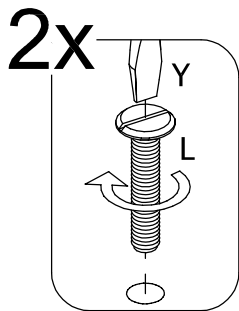
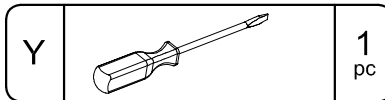
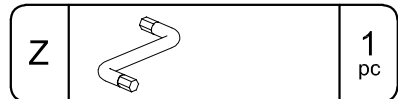
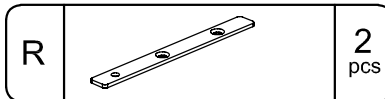
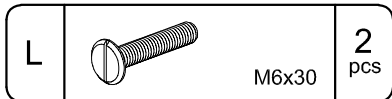
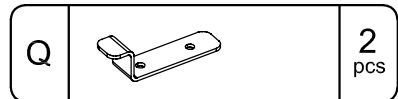
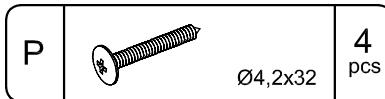
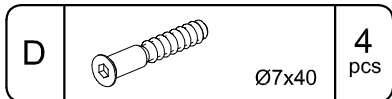
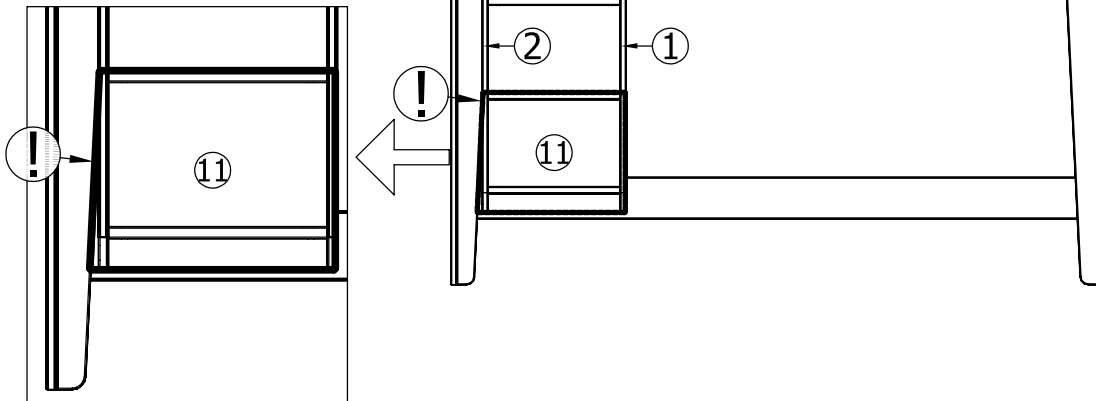
2

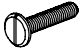
RIGHT

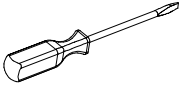


2

LEFT

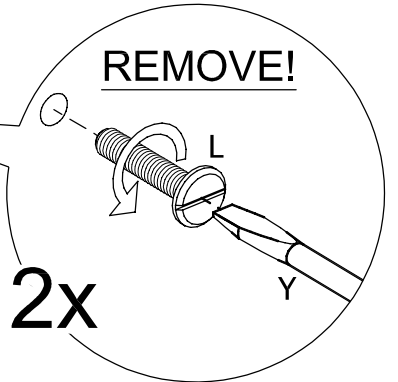
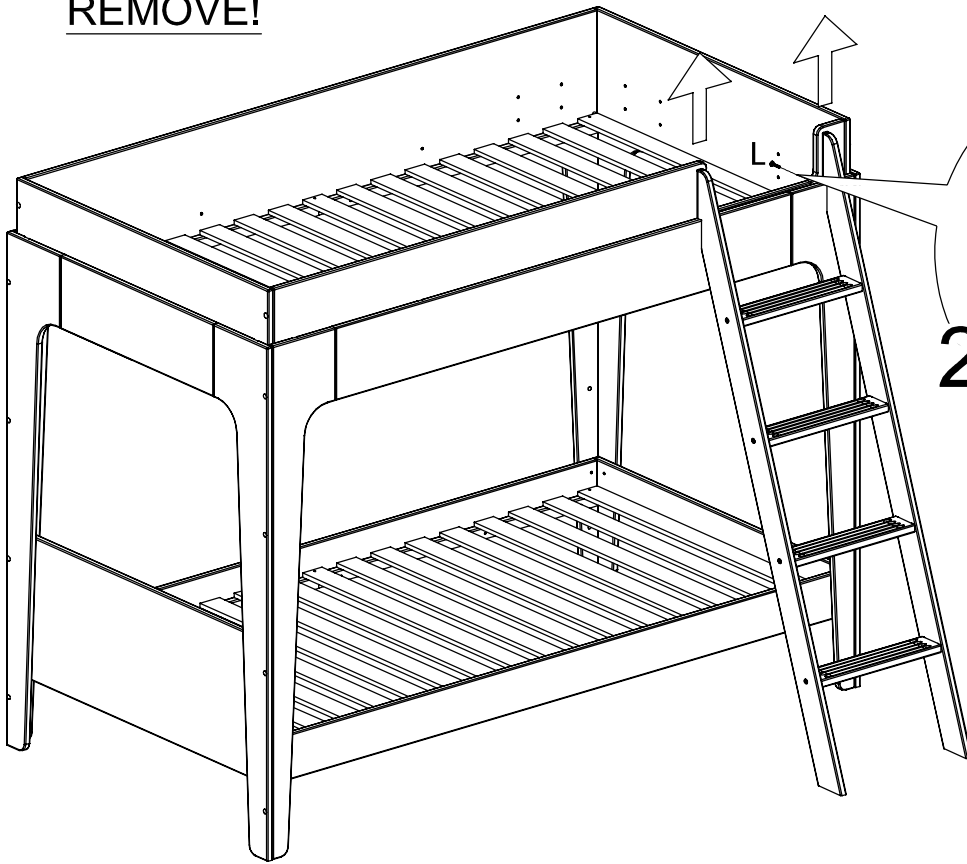


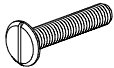
L		M6x30	2 pcs
---	---	-------	----------

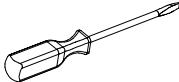
Y		1 pc
---	---	---------

3

REMOVE!



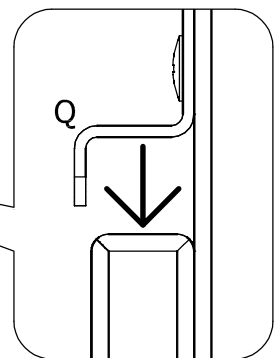
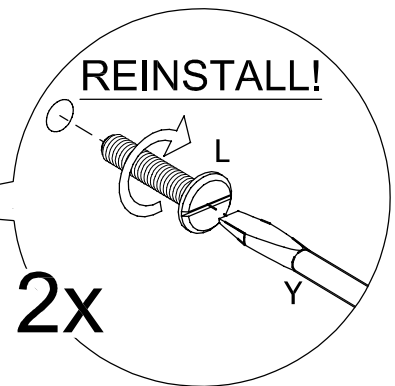
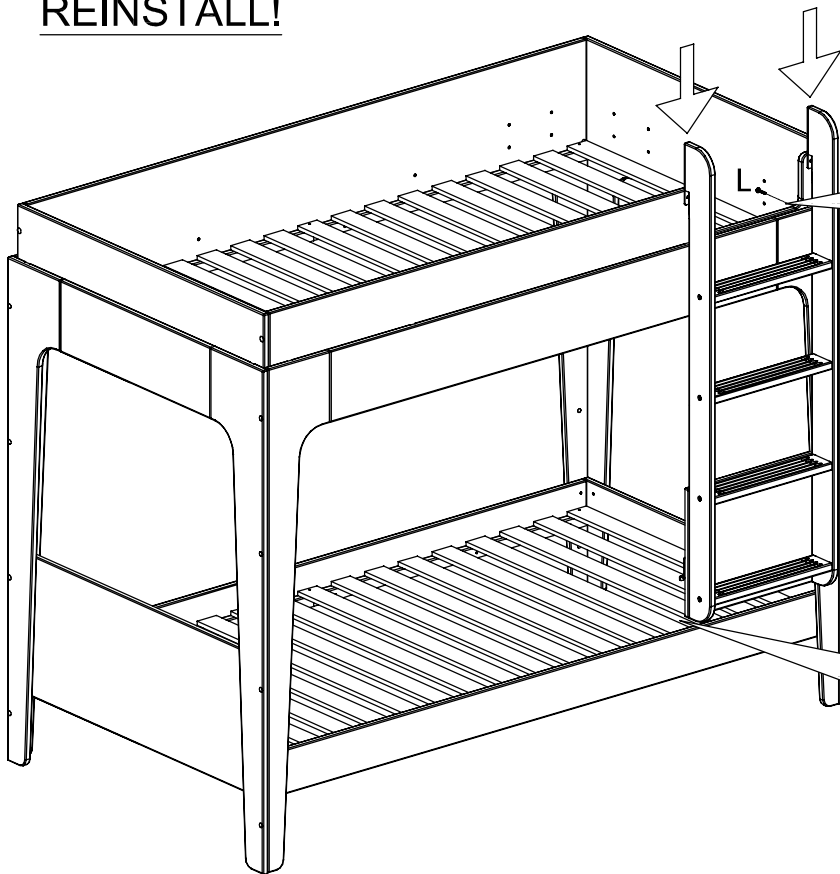
L		M6x30	2 pcs
---	---	-------	-------

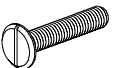
Y		1 pc
---	---	------

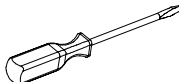
RIGHT

4

REINSTALL!



L		M6x30	2 pcs
---	---	-------	-------

Y		1 pc
---	--	------

LEFT

REINSTALL!

