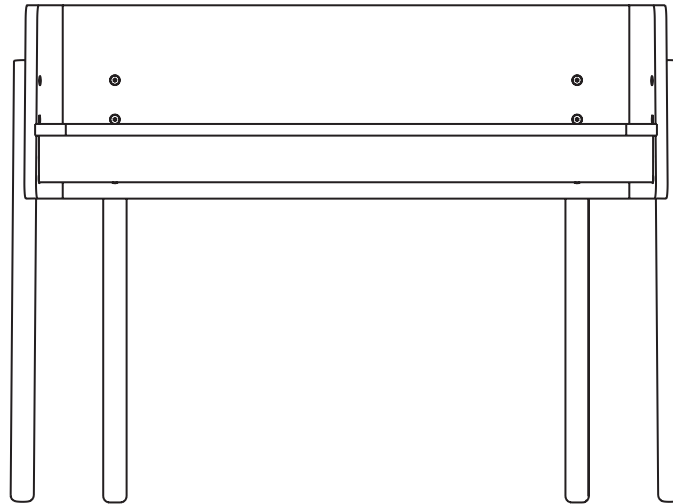


œuf®

BROOKLYN DESK

ITEM # 1BD01



ek42382

Oeuf LLC 119 8th Street, Suite 301 | Brooklyn, NY 11215 | USA +1 (718) 965-1216 | www.oefnyc.com

Distributed internationally by:

Australia

Kido Agencies

Postal: PO Box 6039
Alexandria NSW 2015
Australia
Tel: +61 2 9045 7799
info@kidoagencies.com

Canada

Monte Distribution Inc.

270 Belfield Rd
Toronto, Ontario M9W 1H5
Canada
Tel: +1 866 604 6755
info@oeufcanada.com

Korea

J2 International Inc.

(주) 제이투인터내셔널
서울시 강남구 도산대로 506
재정빌딩 304호
Tel: +82 70 8247 7576

UK

Kids At Home Distribution

Newick Business Centre
Church Road
Newick, BN8 4NA
England
Tel: +01825 724160

EU

Suede Import

20 Bis Rue des Champs
92600 Asnières-sur-Sein
France
Tel: +33 (0)1 40 86 06 03
suedeimport@yahoo.fr

Turkey

Operaistanbul

Cengiz Topel Cad. Tugcular sok.
No:1 Kat 3 Etiler Istanbul
Turkey
Tel: +90 212 321 8132
info@operaisatnbul.com

China

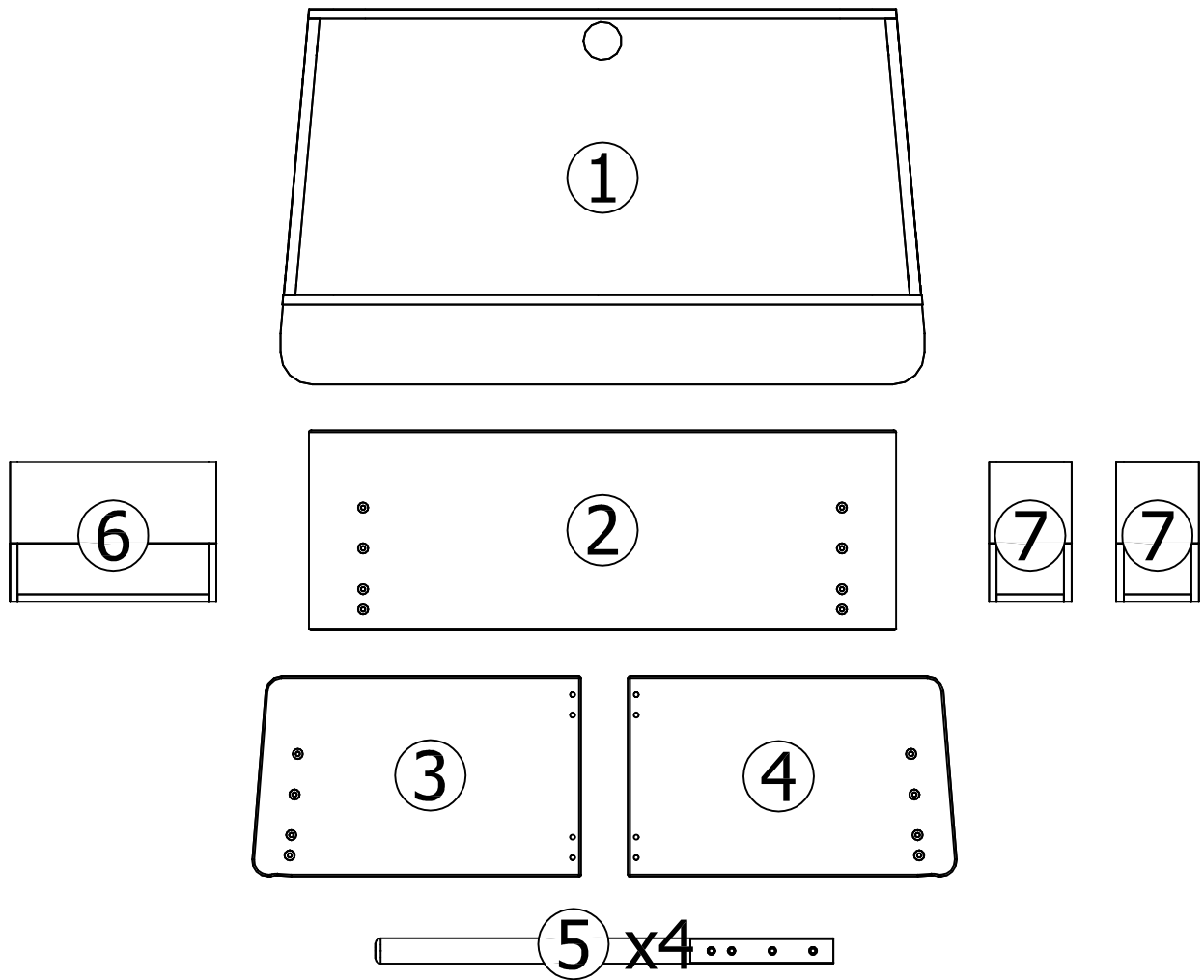
Arketype Limited

7F Metro Loft, 38 Kwai Hei St.
Kwai Chung, N.T.,
Hong Kong
+852 2110 9400
www.arketype.com

Made in Latvia


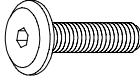
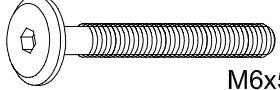
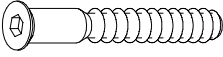
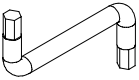
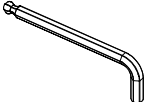
Parts List - Fawn Conversion Kit

Liste des Presentation

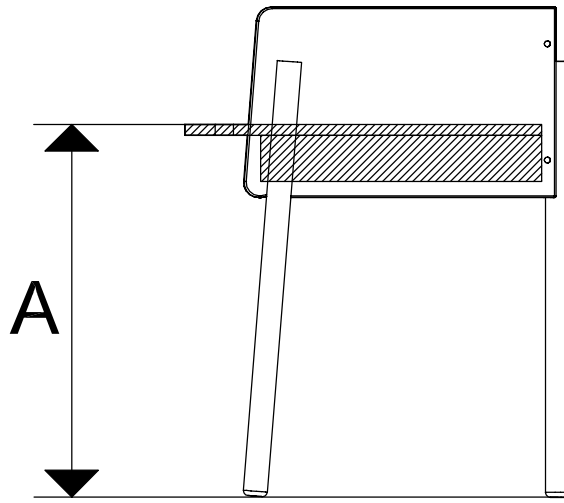
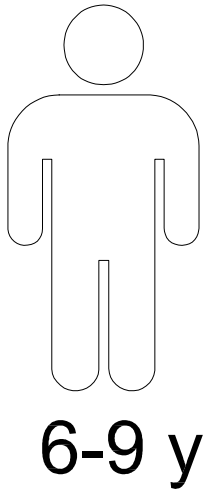


Parts List - Fawn Conversion Kit

Liste des Presentation

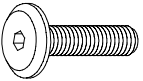
A	 $\varnothing 8 \times 30$	4 pcs	C	 M6x30	12 pcs
B	 M6x50	4 pcs	D	 $\varnothing 7 \times 50$	4 pcs
E				1 pc	
F				1 pc	

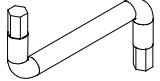
1

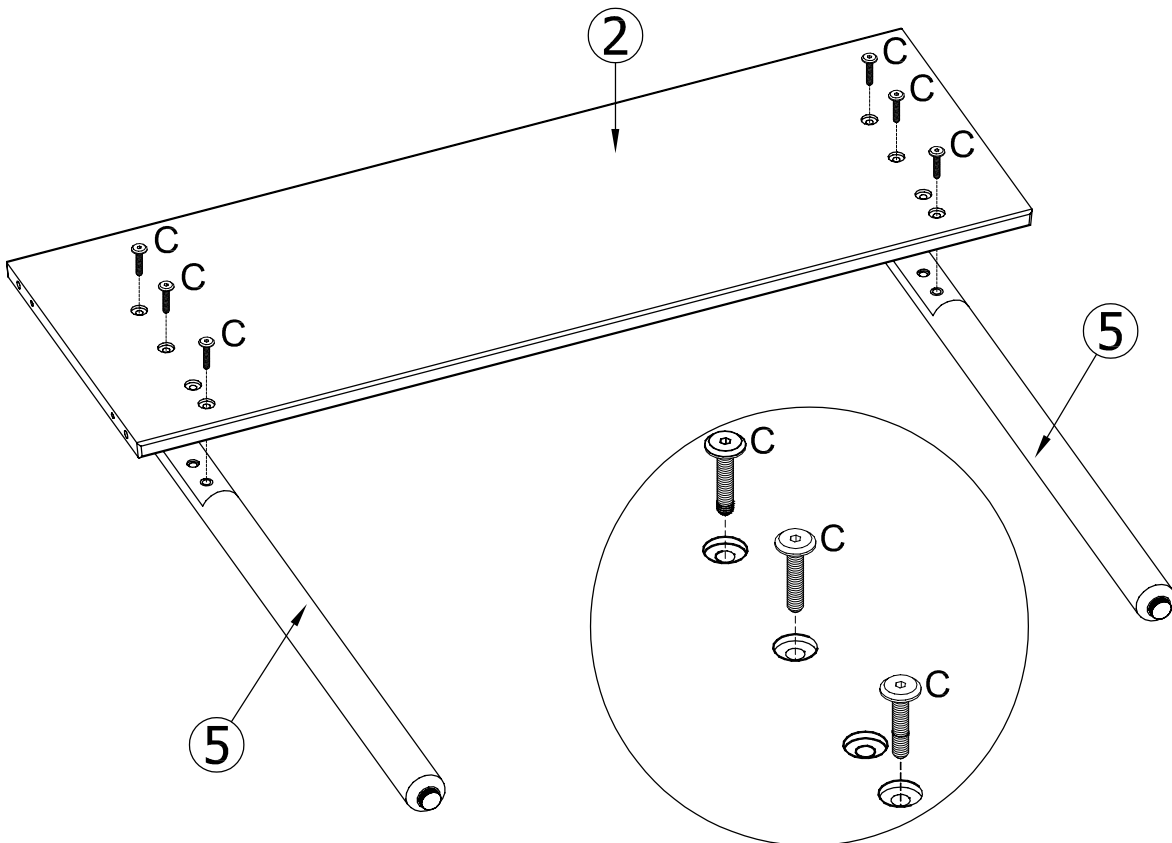


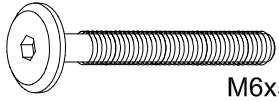
$$A = 616\text{mm} = 24 \frac{1}{4}''$$

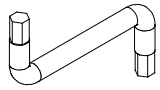
2

C		M6x30	6 pcs
---	---	-------	-------

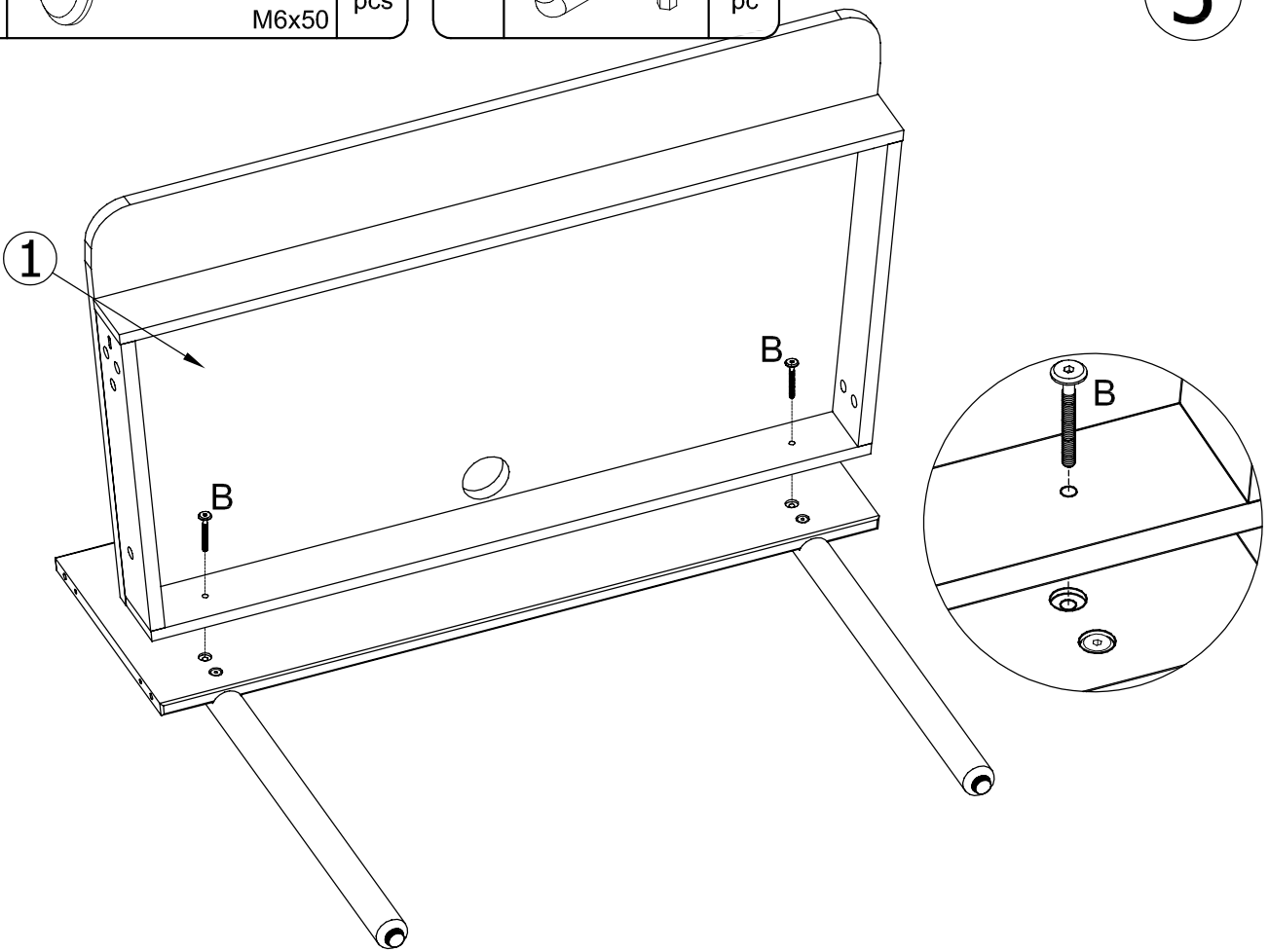
E		1 pc
---	---	------

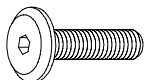


B		2 pcs
M6x50		

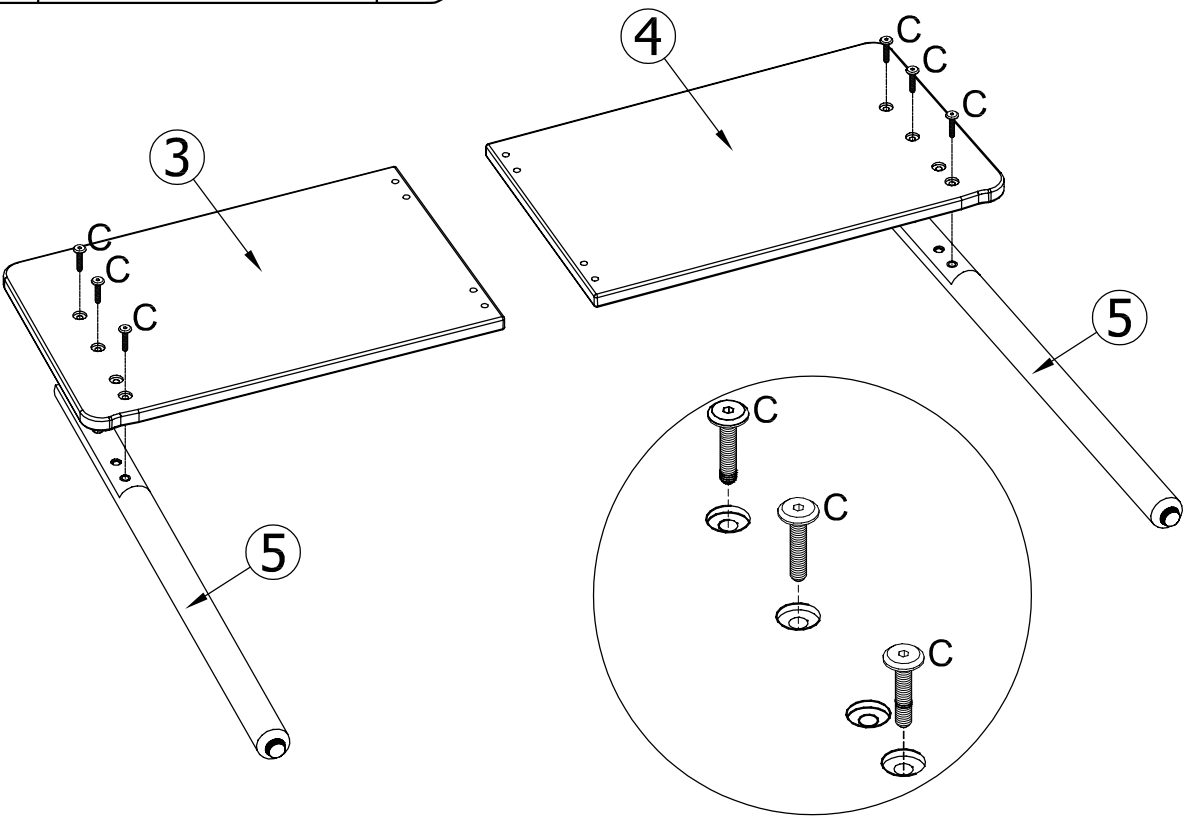
E		1 pc
----------	---	----------------

3




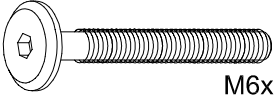
C		6 pcs
M6x30		

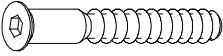
4

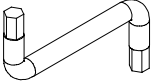



5

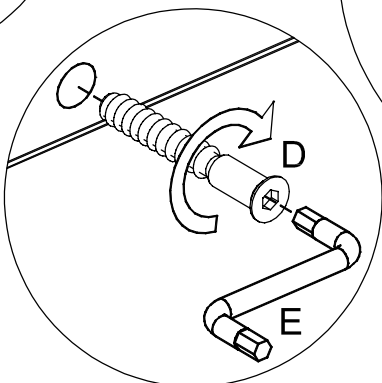
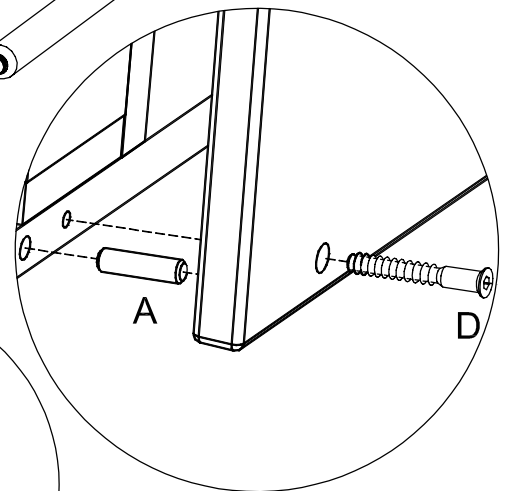
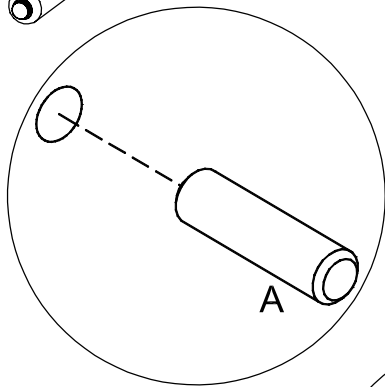
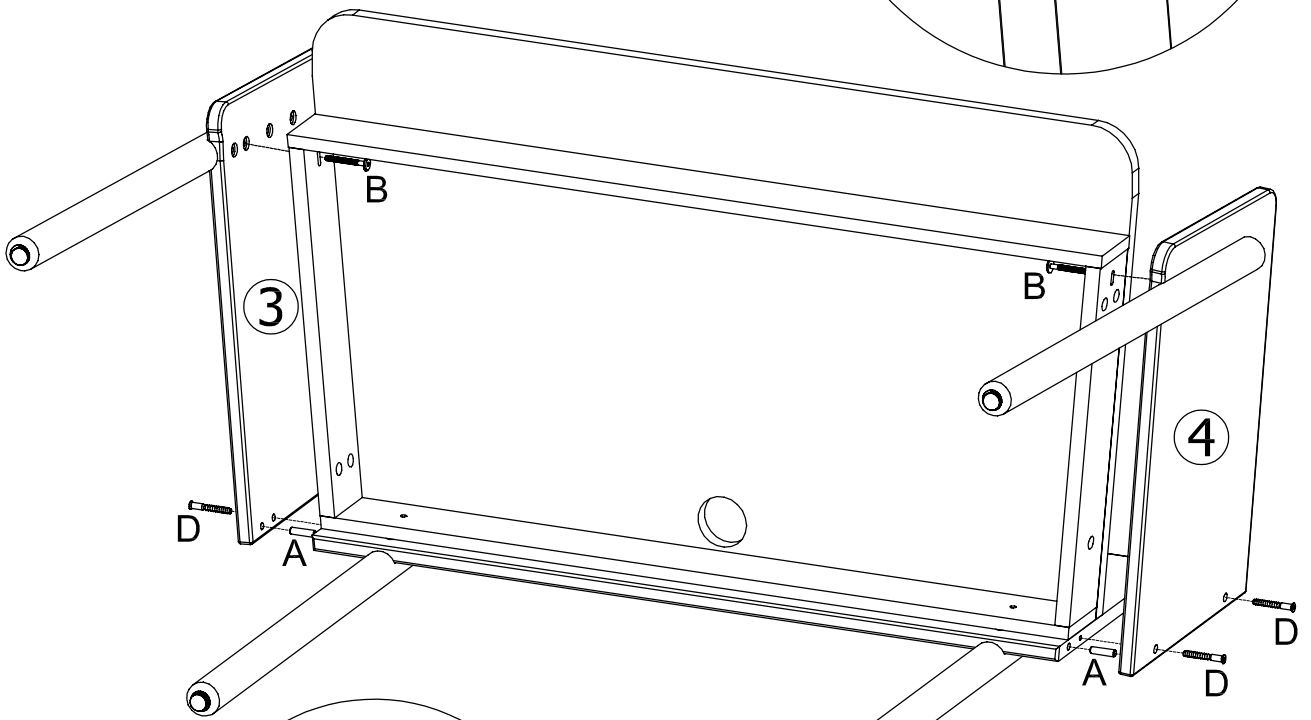
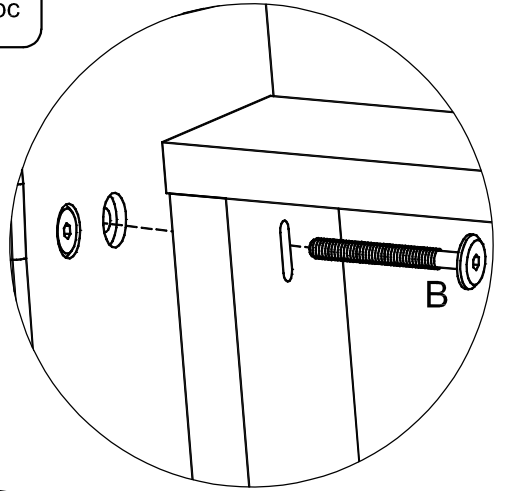
A		Ø8x30	4 pcs
---	---	-------	-------

B		M6x50	2 pcs
---	--	-------	-------

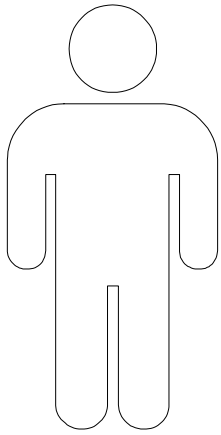
D		Ø7x50	4 pcs
---	---	-------	-------

E			1 pc
---	---	--	------

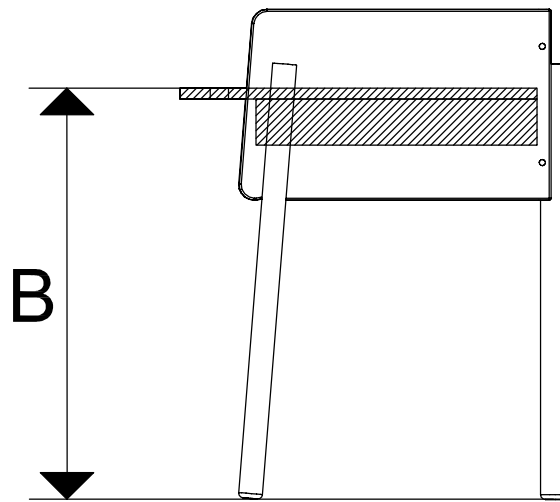
F			1 pc
---	---	--	------



1

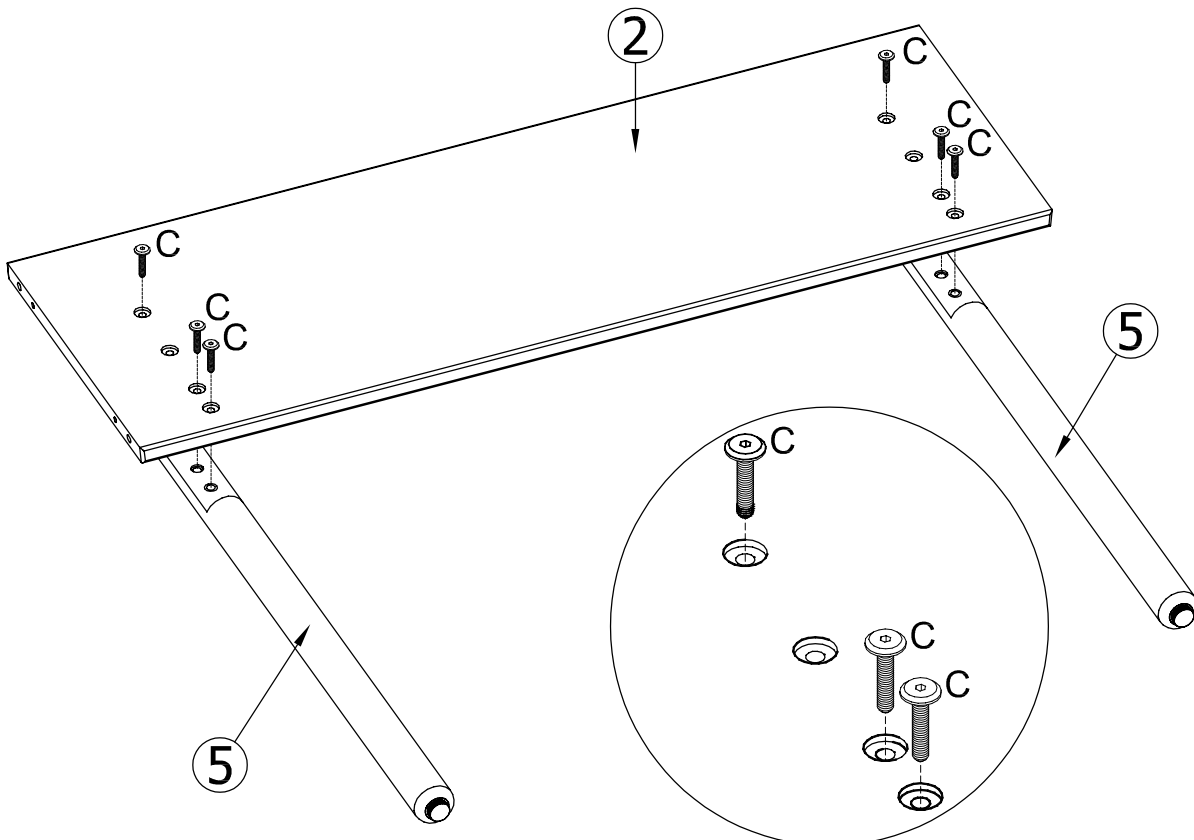
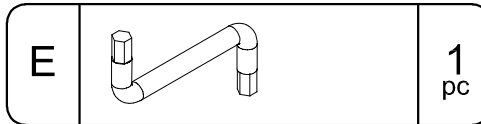
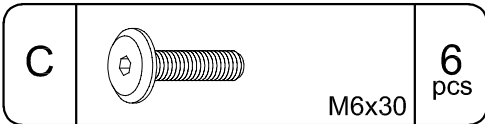


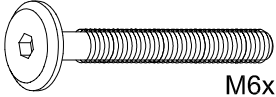
9-12 y



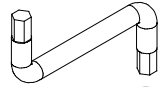
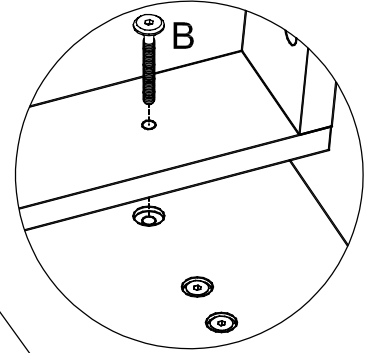
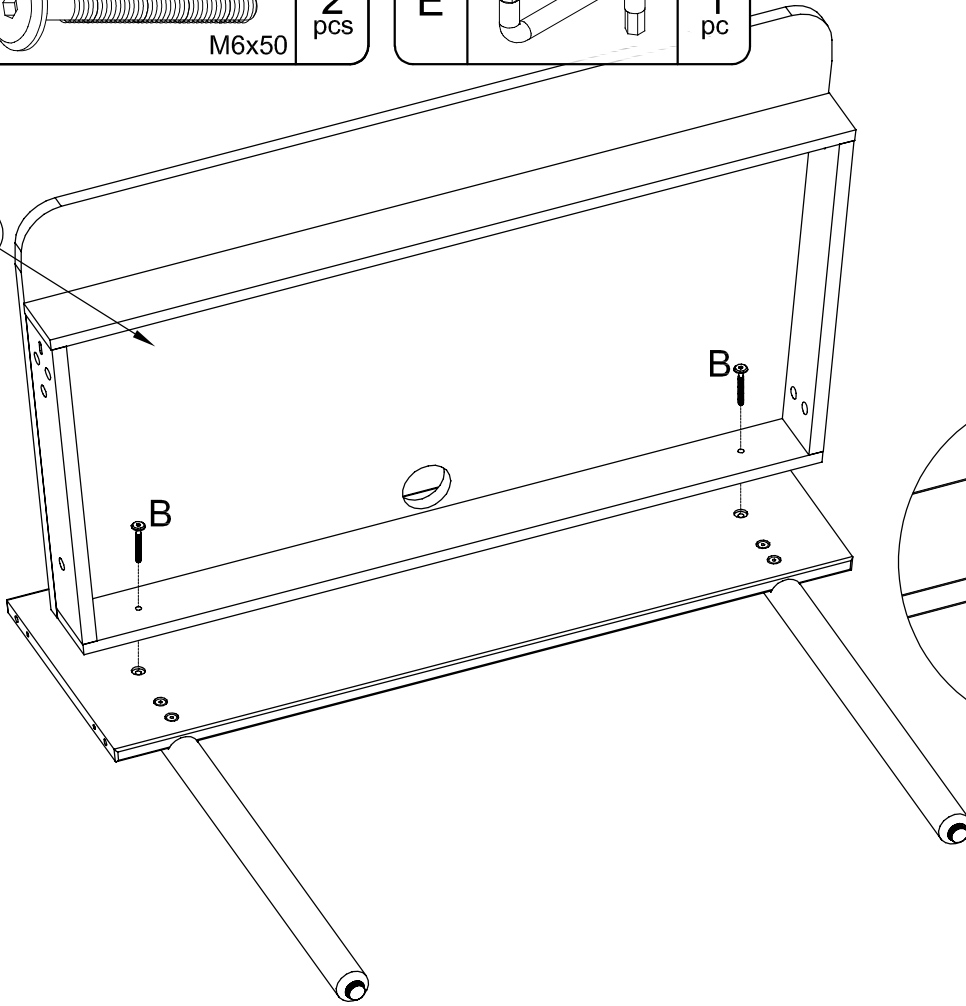
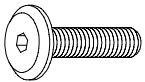
$B = 680\text{mm} = 26 \frac{49}{64}''$

2

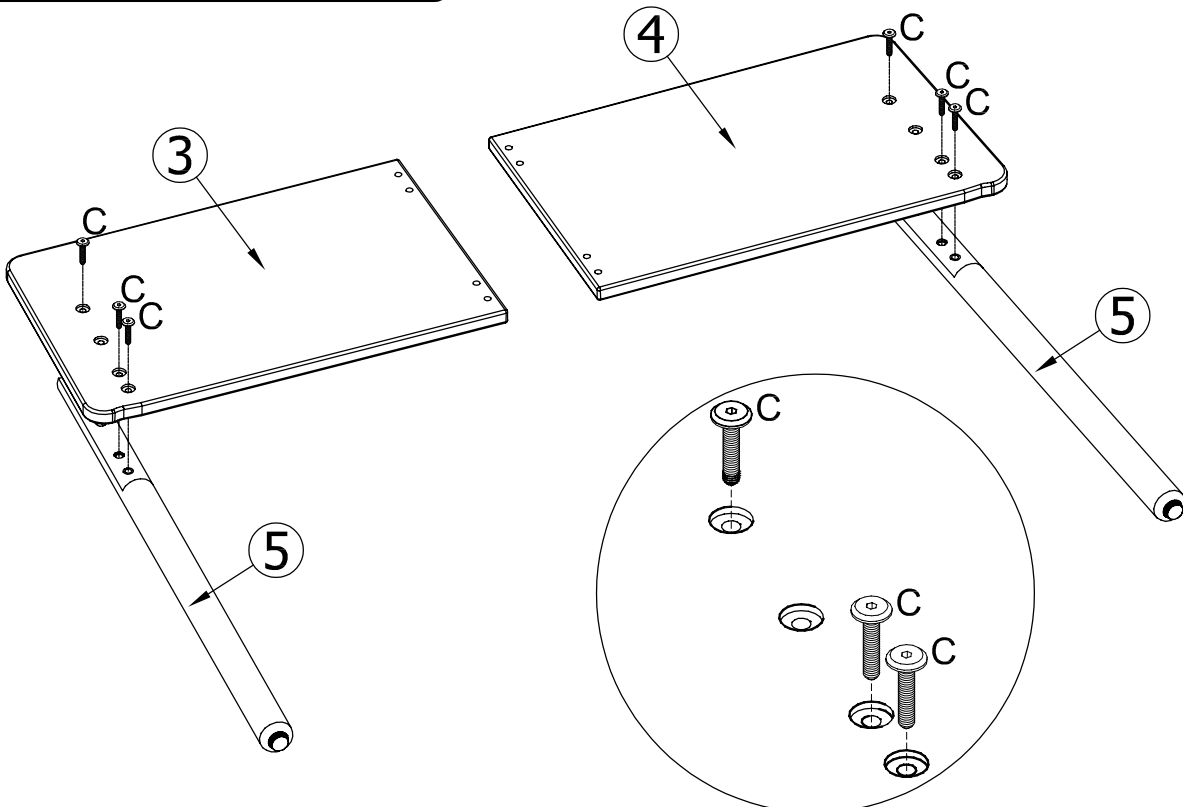
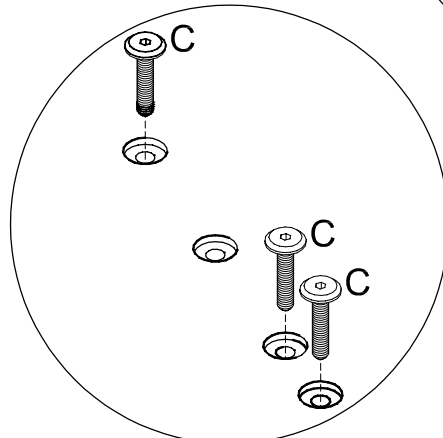


B

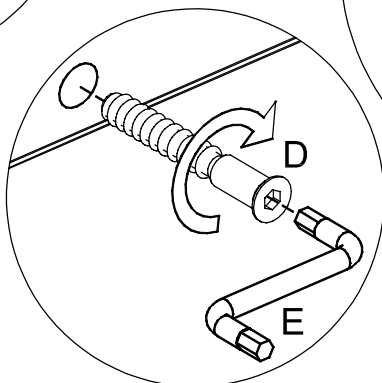
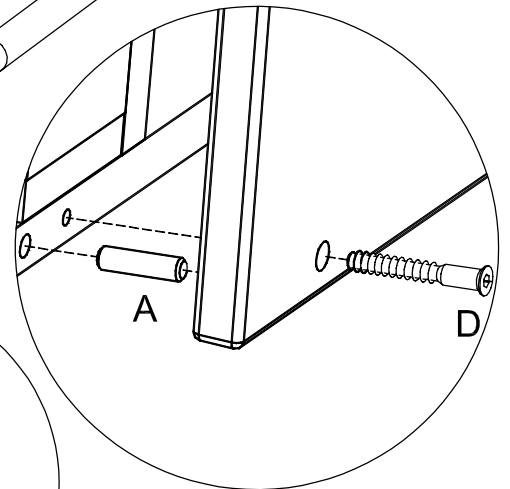
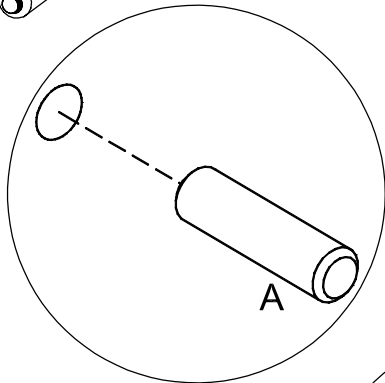
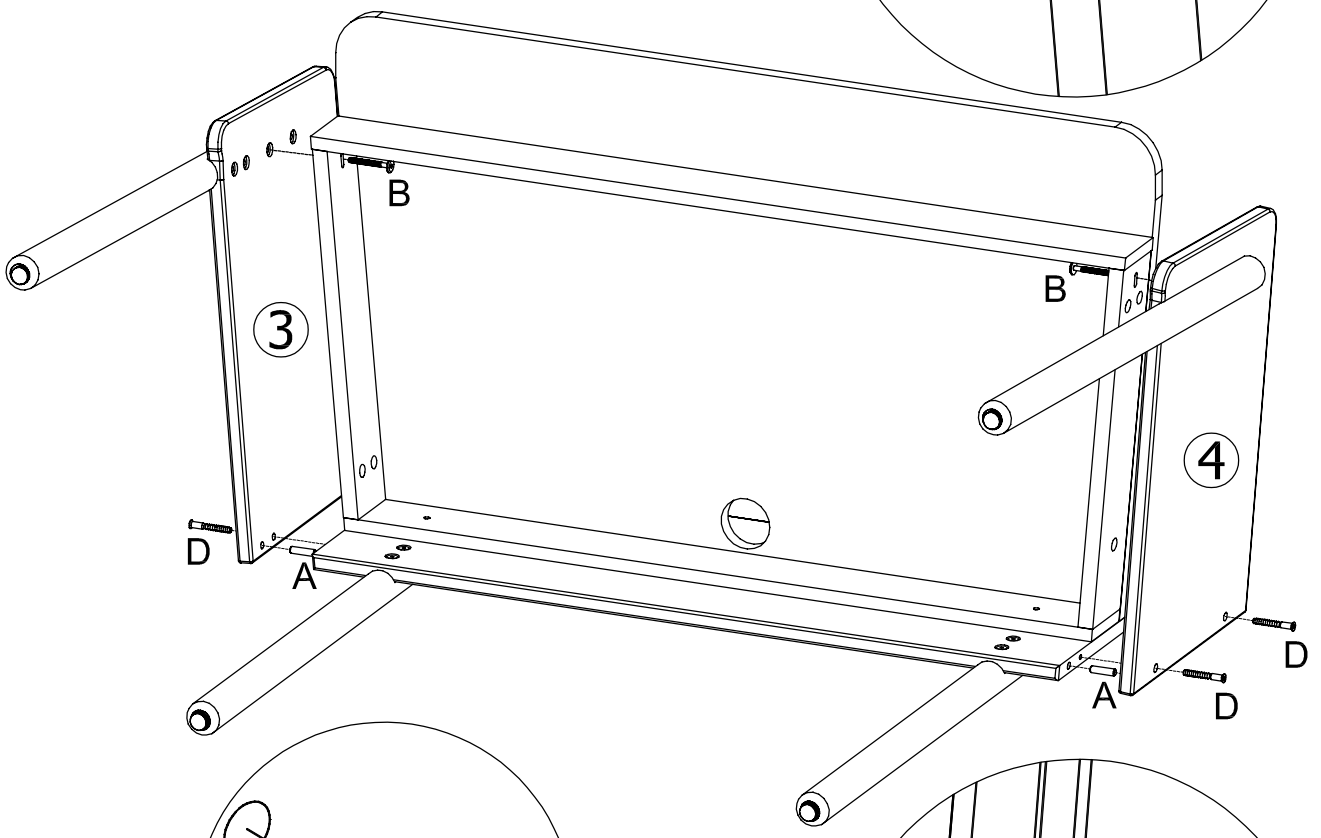
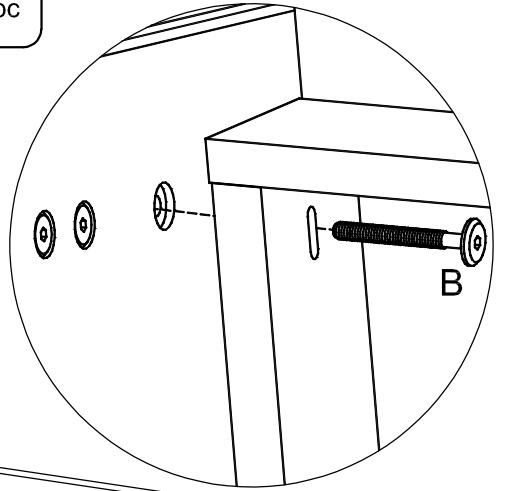
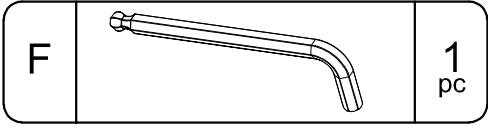
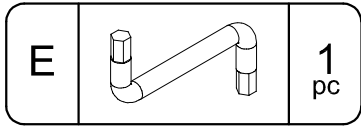
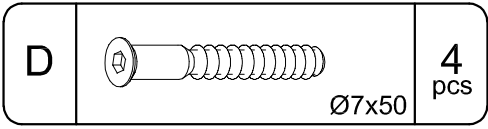
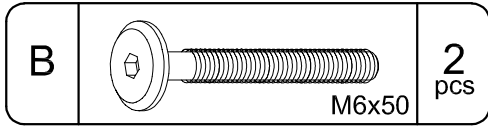
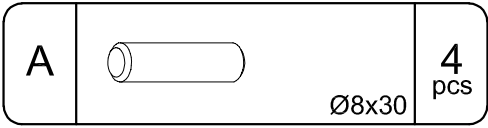
M6x50

2
pcs**E**1
pc**3****1****C**

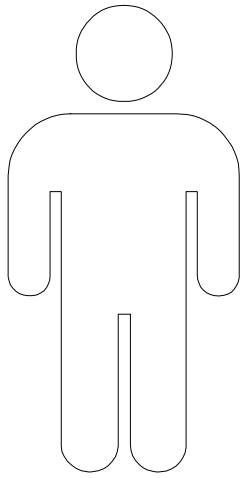
M6x30

6
pcs**4****4****5**

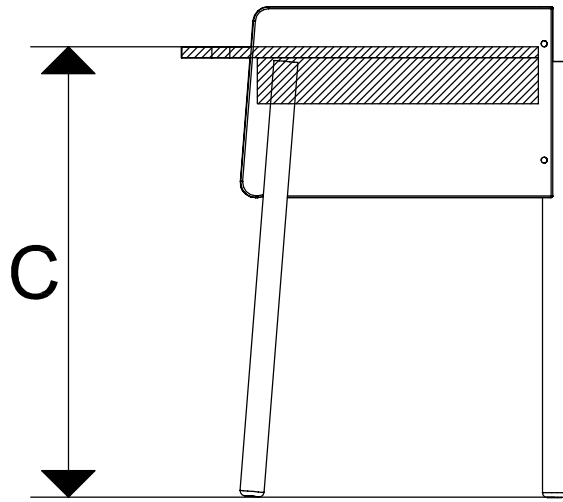
5



1

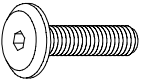


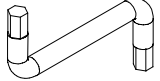
12+ y

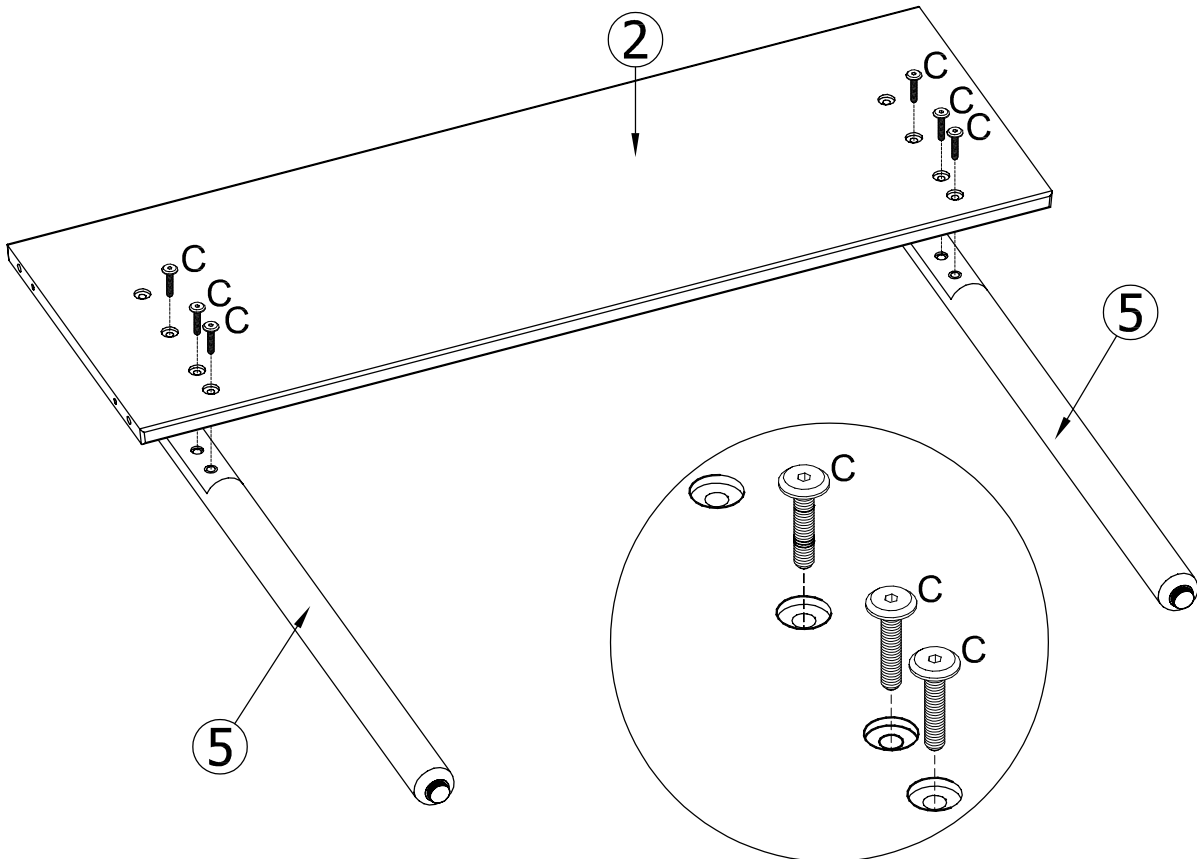


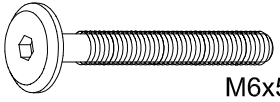
$$C = 744\text{mm} = 29 \frac{19}{64}\text{''}$$

2

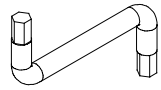
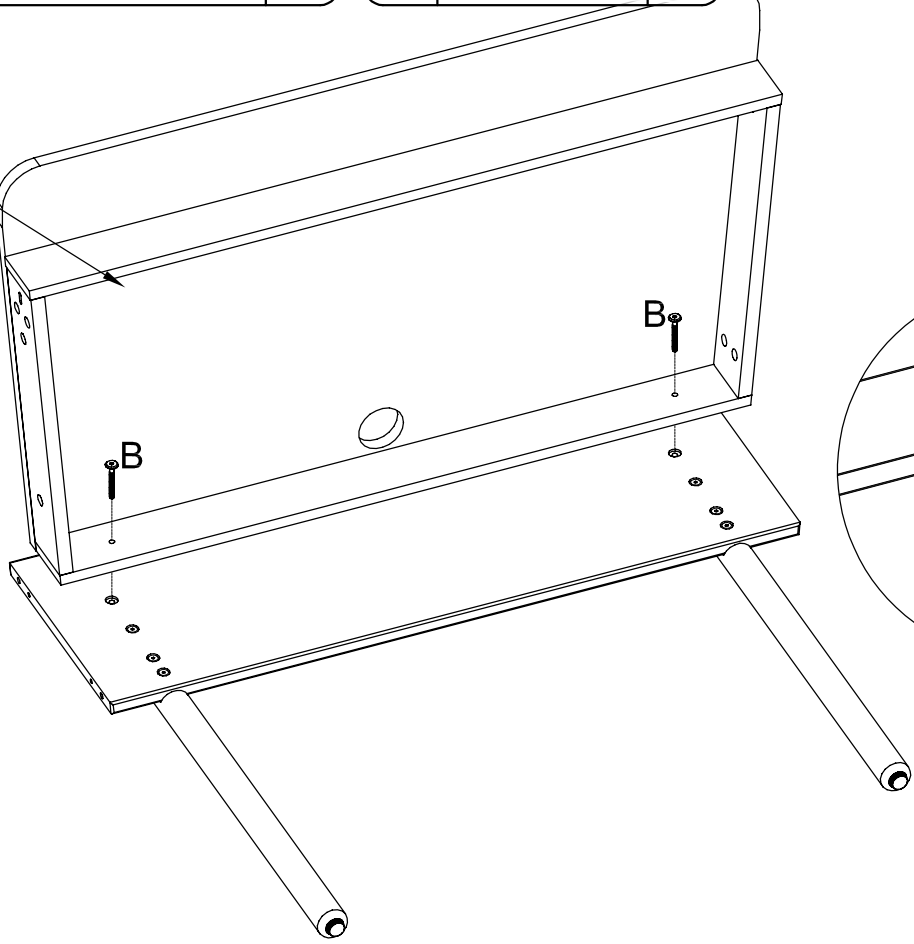
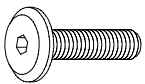
C		M6x30	6 pcs
---	---	-------	-------

E		1 pc
---	---	------

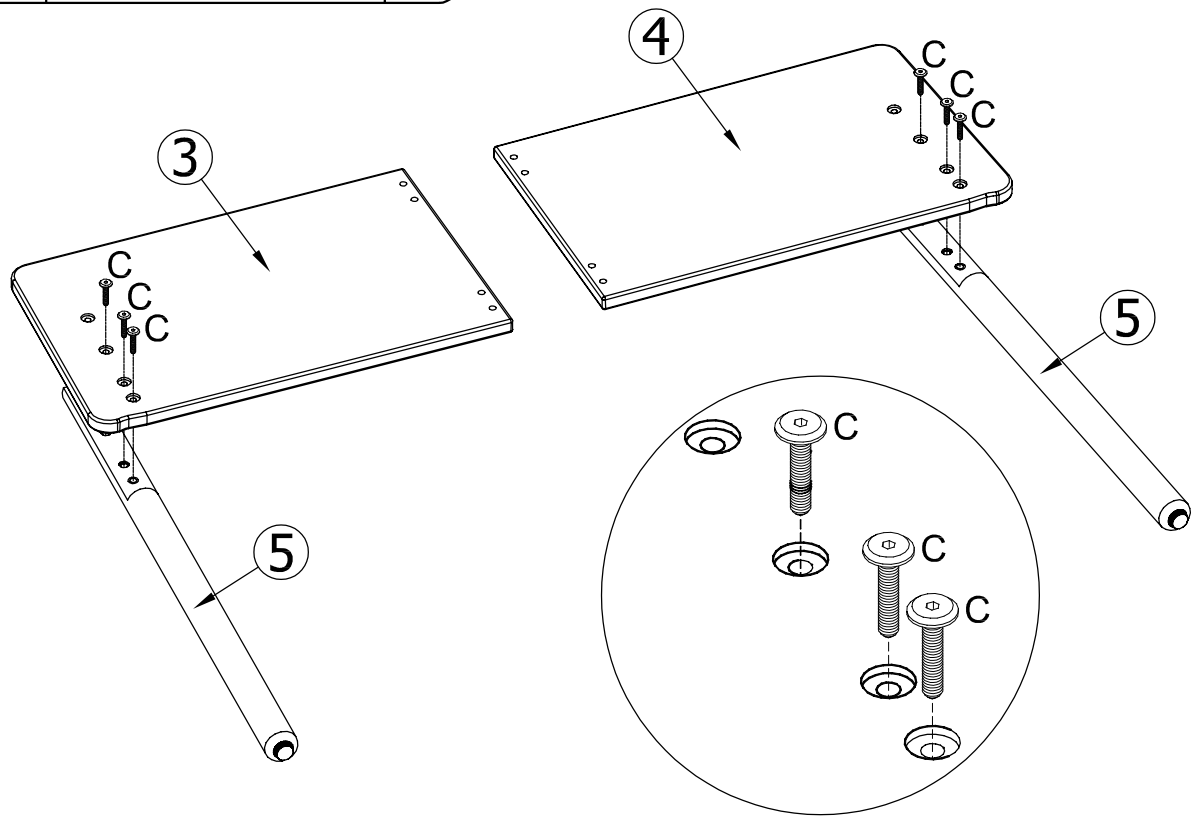


B

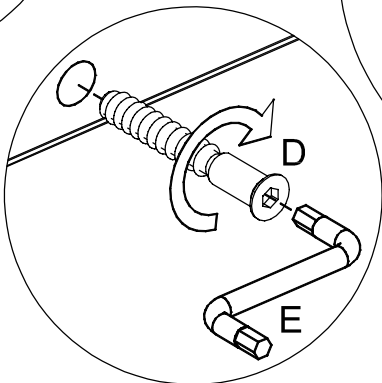
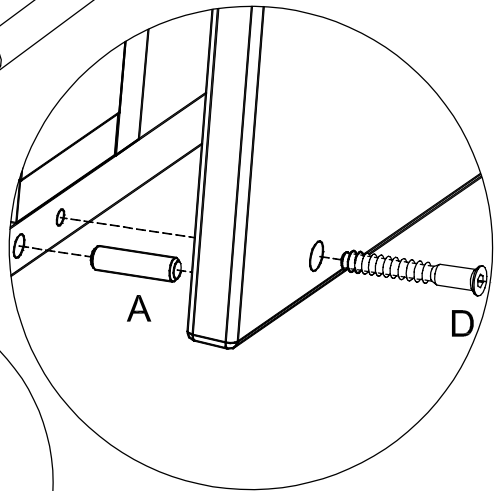
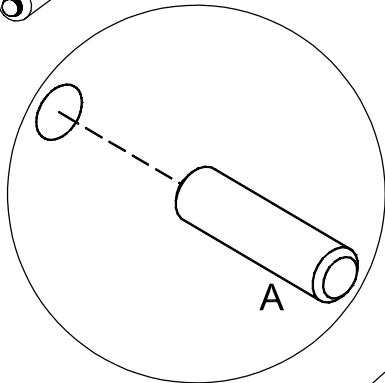
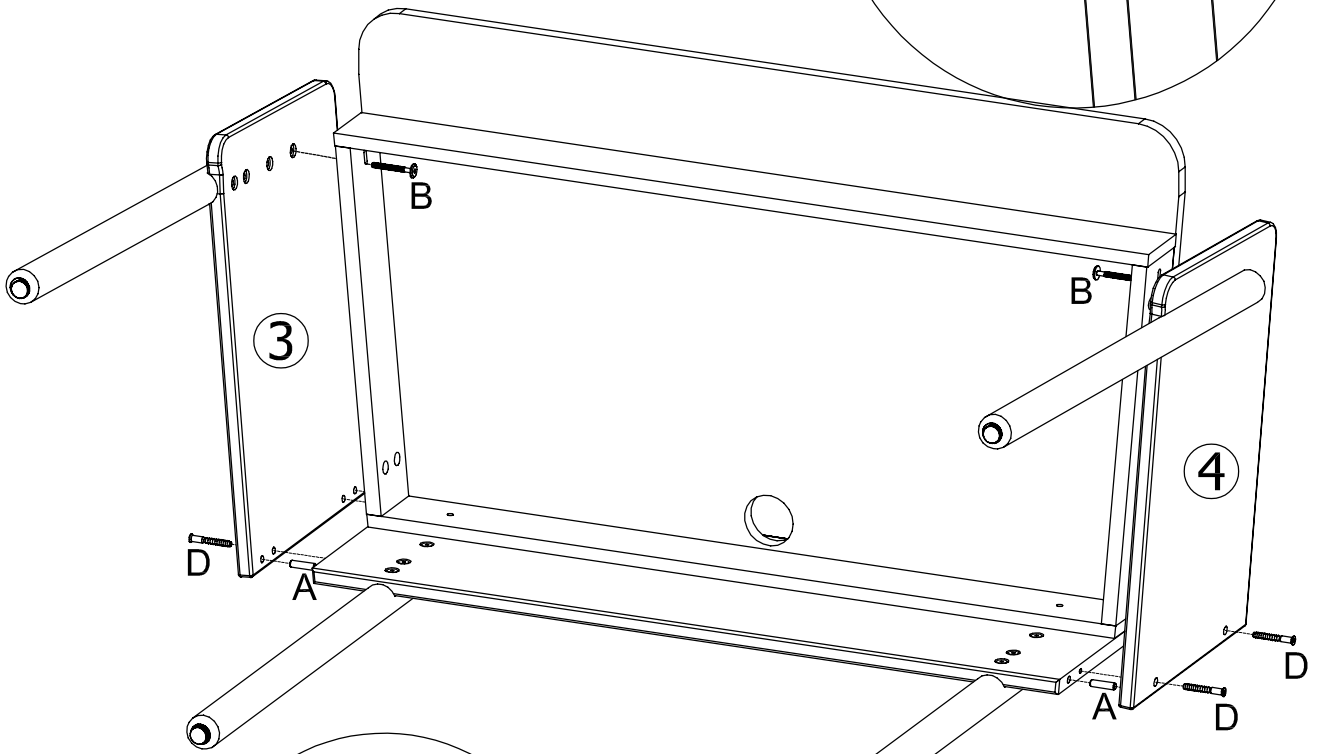
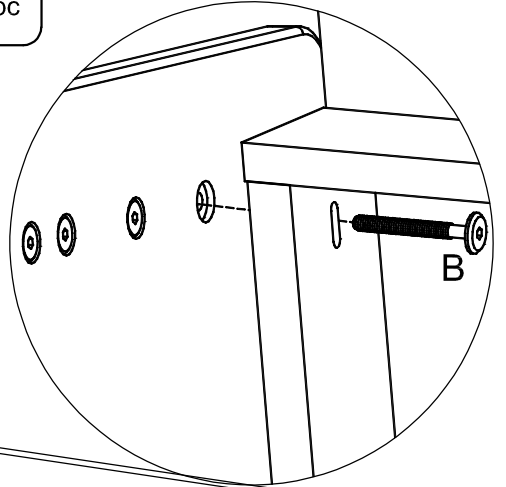
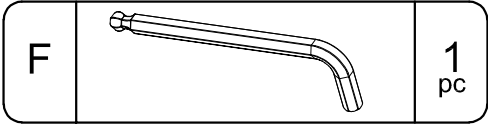
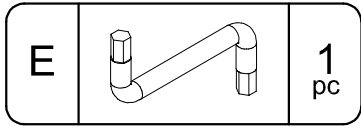
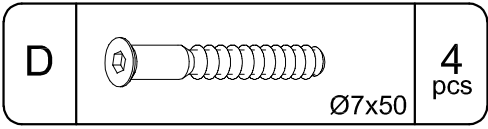
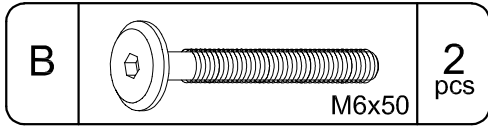
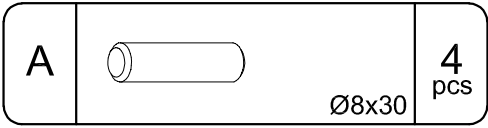
M6x50

2
pcs**E**1
pc**3****1****C**

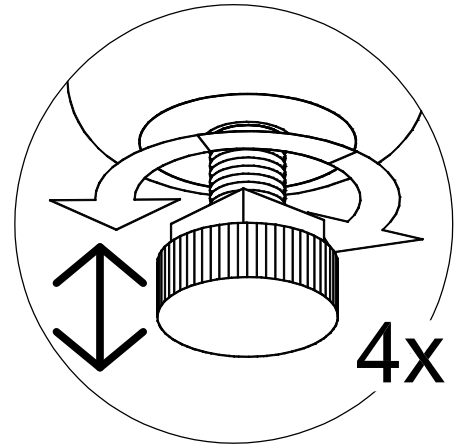
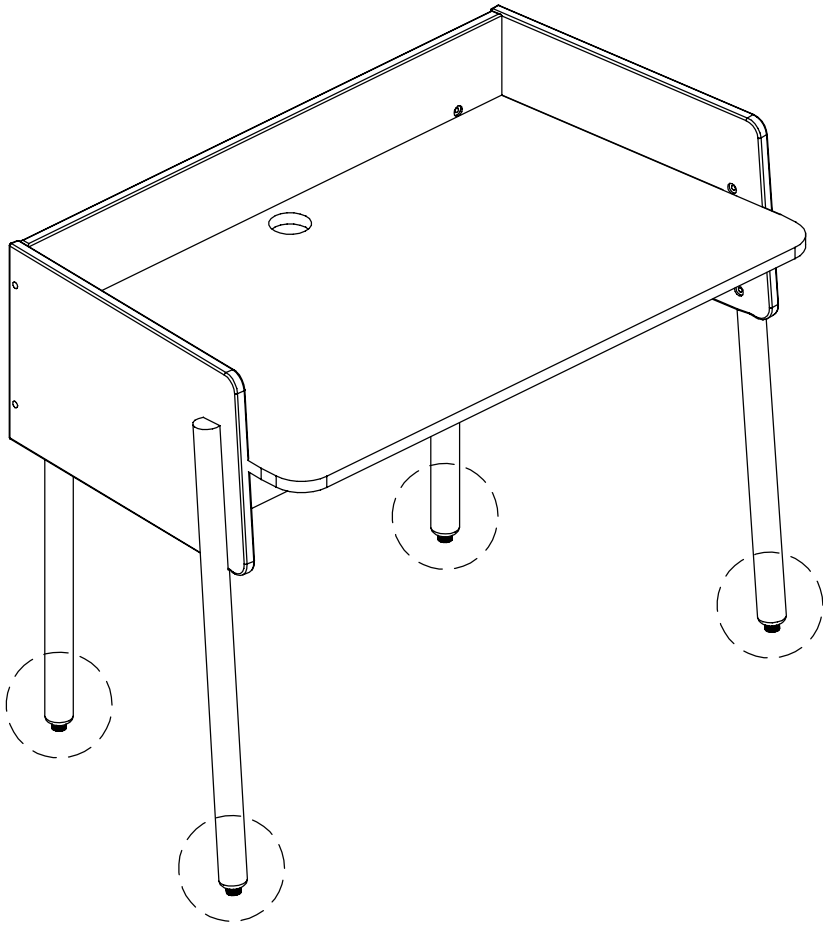
M6x30

6
pcs**4****3****4****5**

5



6



7

