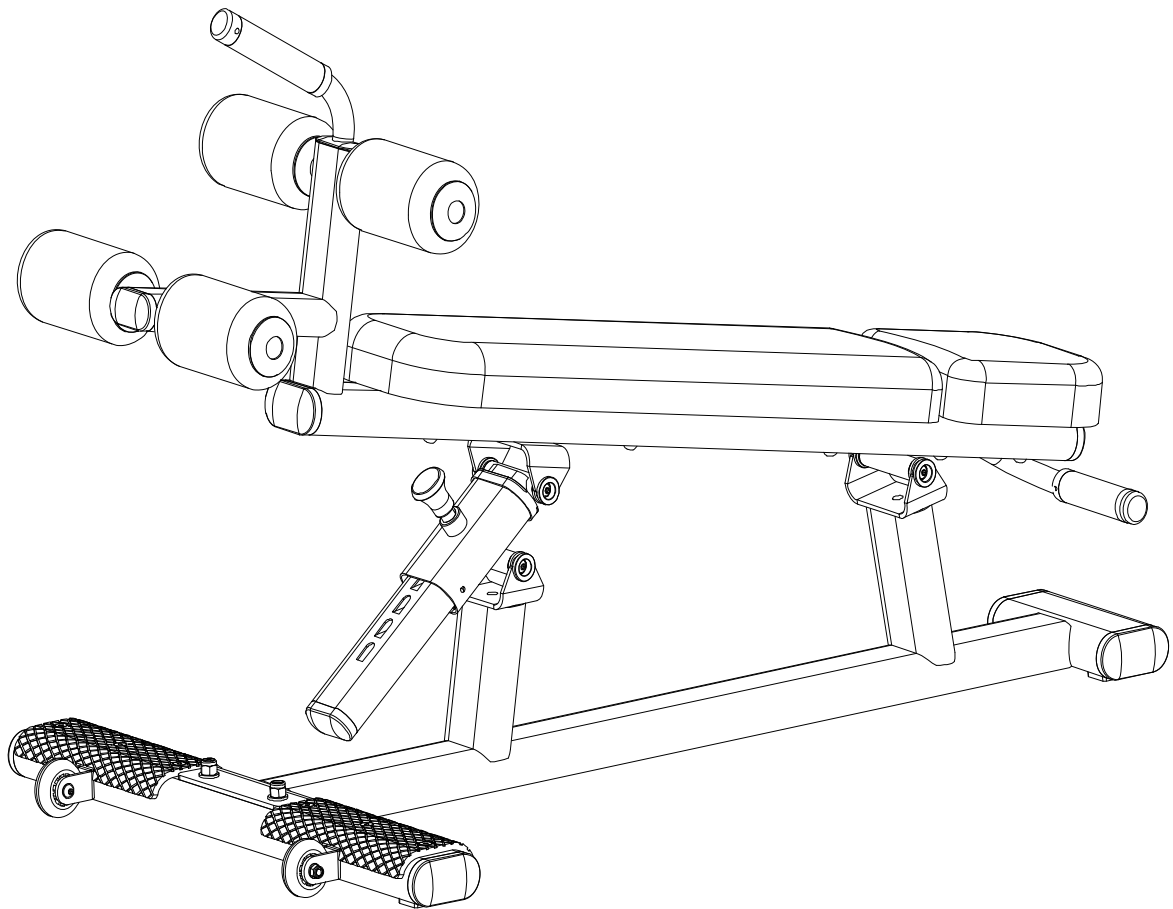
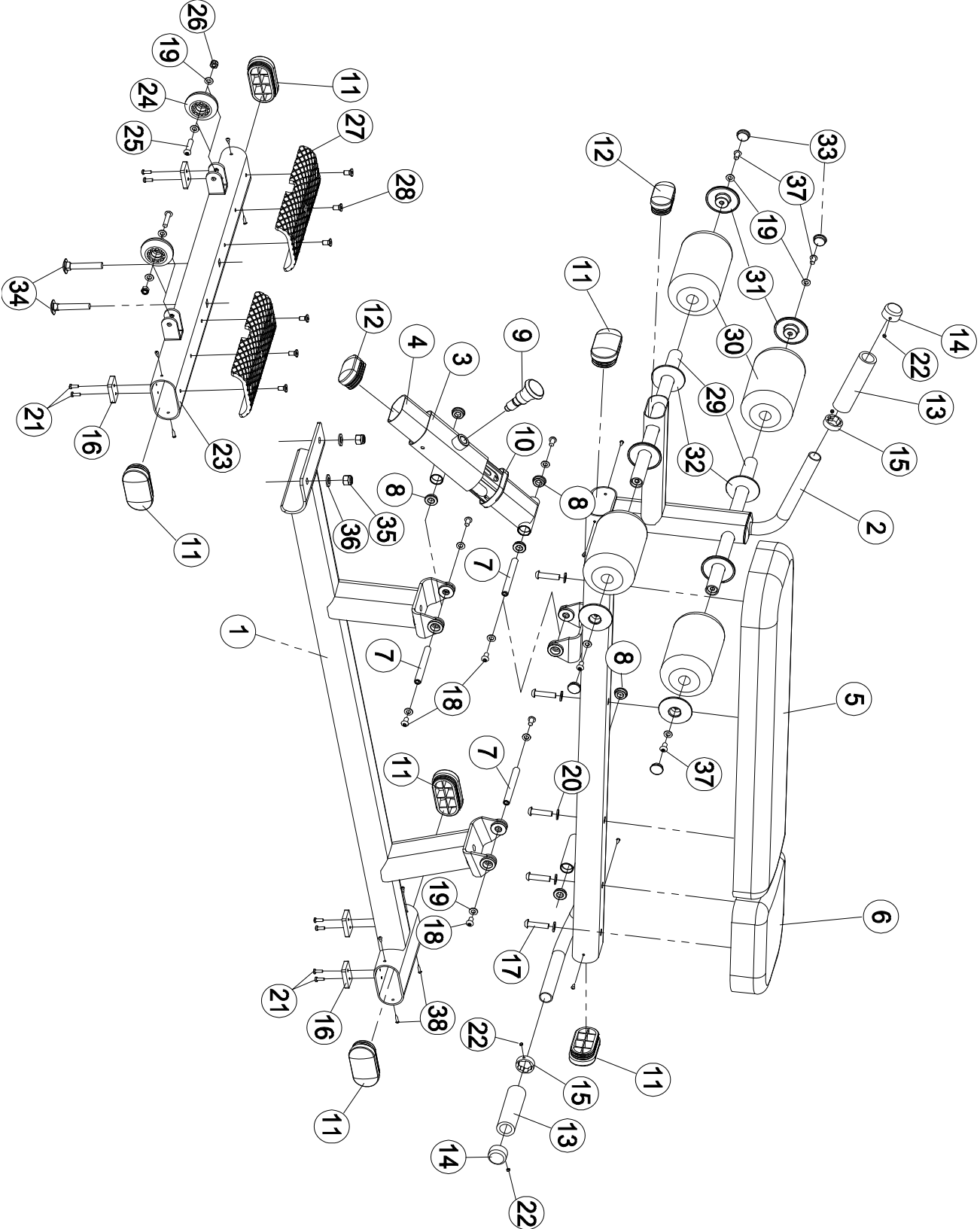


# ITKO<sup>®</sup>

## MODEL# 875CB Commercial Adj Crunch Bench



# EXPLODED DRAWING & PARTS LIST



# Parts List

No.	Description	Q'ty	No.	Description	Q'ty
1	Stabilizer	1	20	Flat Washer M10	5
2	Support Frame	1	21	Hex head Bolt M5x15	8
3	Adjusting frame	1	22	Screw M6*4	4
4	Adjusting tube	1	23	Front Stabilizer	1
5	Pad	1	24	PU Wheel	2
6	Pillow	1	25	Allen Head Bolt M8x45	2
7	Tube	3	26	Nylon Nut M8	2
8	Metal Bushing	6	27	Foot Padding	2
9	Knob	1	28	Allen Head Bolt M8x15	6
10	Bushing	1	29	Handle Bar	2
11	End Cap PT50*100	6	30	Foam	4
12	End Cap PT40*80	2	31	Inner Foam Cap	4
13	Foam	2	32	Our Foam Cap	4
14	Handle bar End Cap	2	33	End Cap $\Phi$ 25	4
15	Handle bar Ring	2	34	Carriage M12*70	2
16	Rubber Cushion	4	35	Nylon Nut M12	2
17	Allen Head Bolt M10x65	5	36	Flat Washer M12	2
18	Allen Head Bolt M8x15	6	37	Allen Head Bolt M8x25	4
19	Flat Washer M8	14	38	Rivet	12

# ASSEMBLY STEP

Attach the Front Stabilizer (23) to the Stabilizer (1), using Carriaget M12x70 (34) and Flat Washer M12 (36) and Nylon Nut M12 (35).

