

**TKO<sup>®</sup>**

**WHATEVER IT TAKES**

**G8032UB UTILITY BENCH**

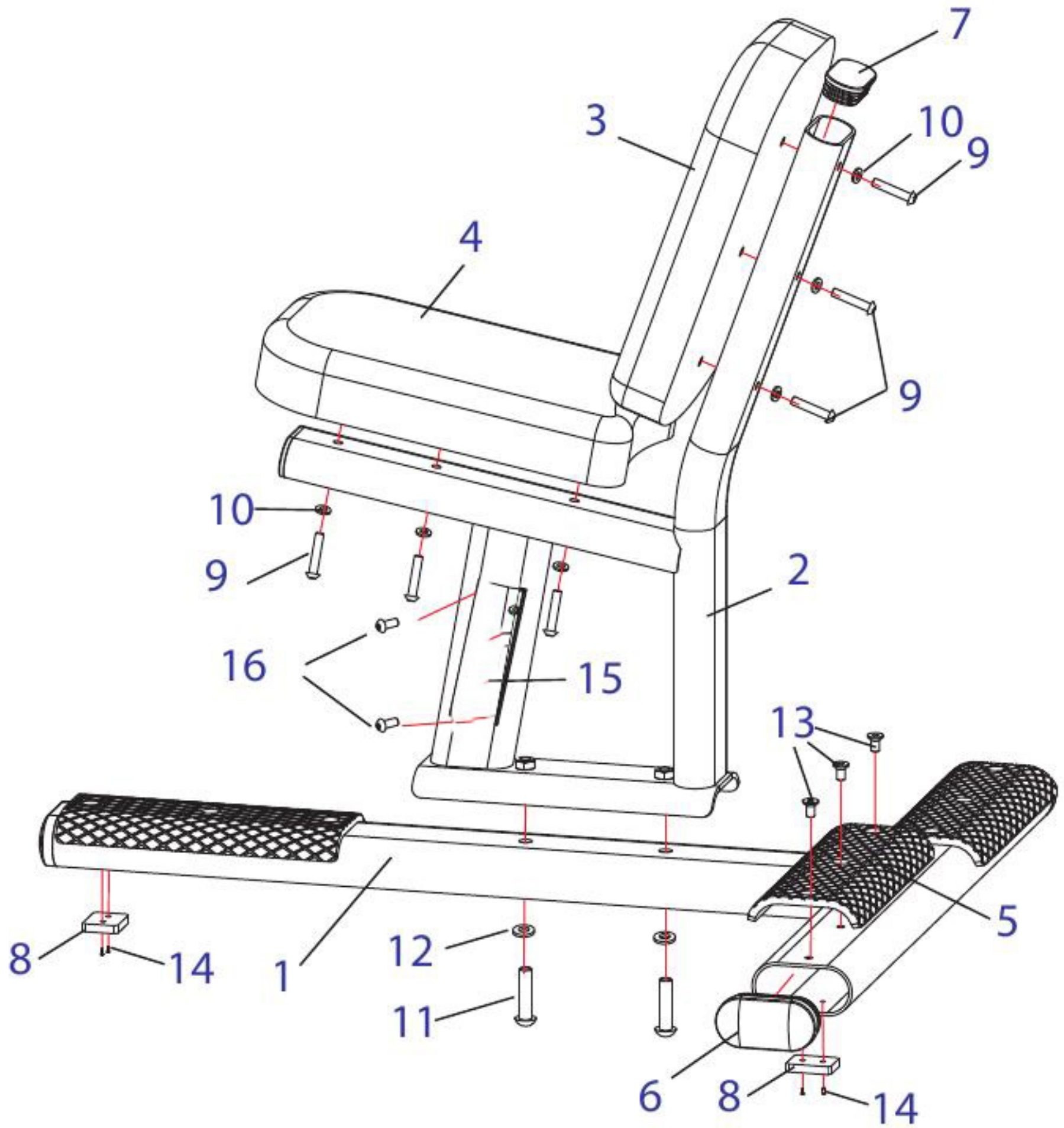
**OWNER'S MANUAL & PARTS LIST**



# PARTS LIST

PART NUMBER	DESCRIPTION	QUANTITIES
1	Base Frame	1
2	Main Frame	1
3	Back Pad	1
4	Seat Pad	1
5	Foot Padding	3
6	End Cap 50x100mm	3
7	End Cap 40x80mm	2
8	Rubber Floor Pad	3
9	Allen Bolt M8x60mm (2-3/8")	6
10	Flat Washer M8	6
11	Allen Bolt M12x70mm (2-3/4")	2
12	Flat Washer M12	2
13	Allen Bolt M8x10mm (3/8")	9
14	Screw M5x10mm (3/8")	6
15	Name Plate	2
16	Rivet 4x12mm	4

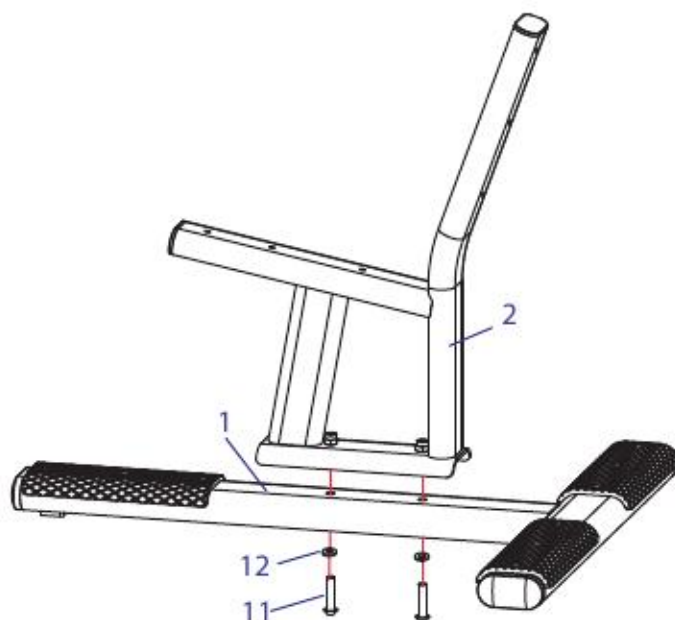
# UTILITY BENCH



# ASSEMBLY

## STEP 1

Please connect the Main Frame (2) to the Base Frame (1), using 2 Allen Bolts (11) and 2 Flat Washers (12)  
Please tighten the bolts.



## STEP 2

Please attach the Back Pad (3) and Seat Pad (4) to the Main Frame (2), using 6 Allen Bolts (9) and 6 Flat Washers (10). Please tighten the bolts.

