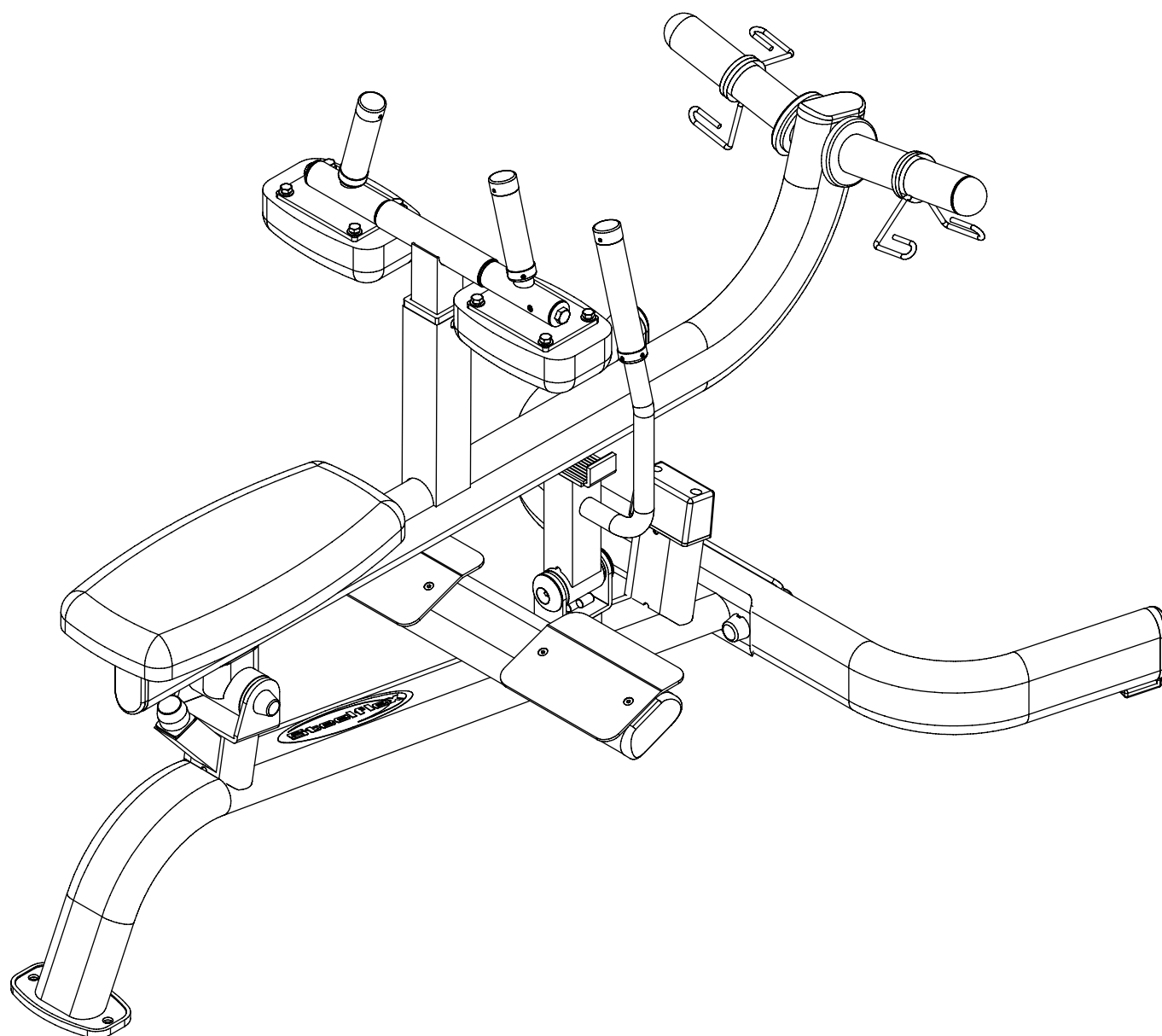


PLSC.1

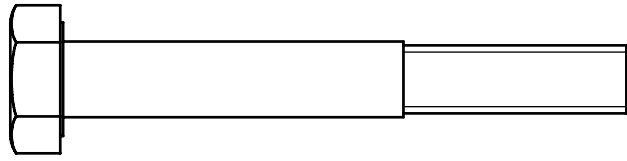
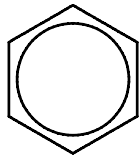


Assembly & Instructions
OWNER'S & MANUAL

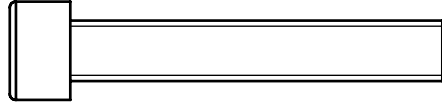
PLSC.1 HARDWARE

(shown in actual size)

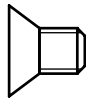
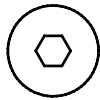
A1. M10X75 HEX HEAD SCREW.....2PCS



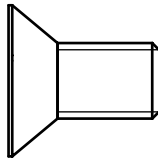
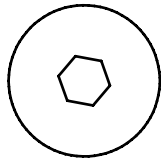
A2. M8X50 SOCKET SCREW (FULL THREAD)...2PCS



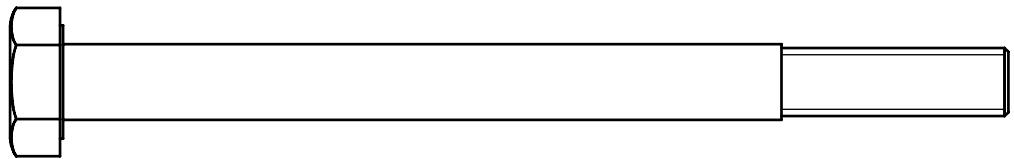
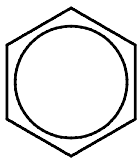
A4. M6X10 ALLEN SCREW (FULL THREAD)...4PCS



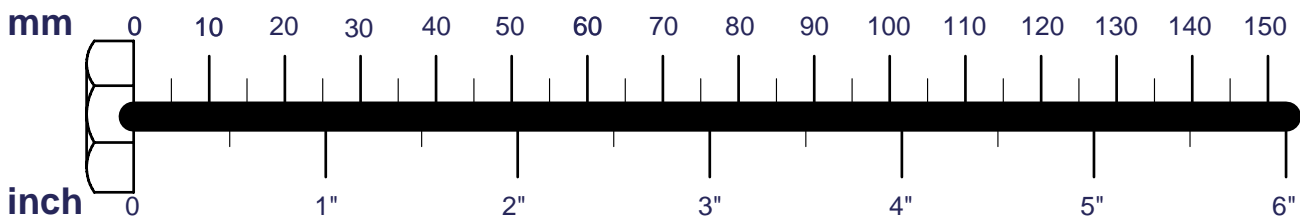
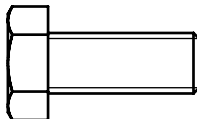
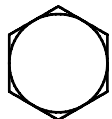
A5. M10X20 ALLEN SCREW (FULL THREAD)...2PCS



A6. M10X125 HEX HEAD.....1PCS



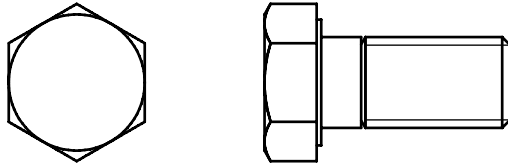
A7. M8X20 HEX HEAD SCREW.....12PCS



PLSC.1 HARDWARE

(shown in actual size)

A8. M12X20 HEX HEAD SCREW.....2PCS



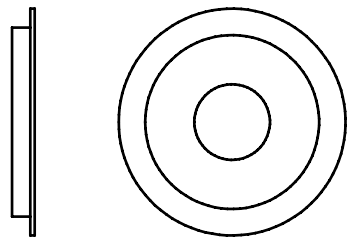
A9. M5X5 GRUB SCREW.....12PCS(Pre-installed)



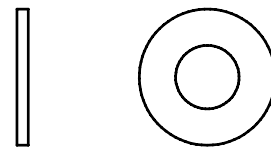
A10. M8X8 GRUB SCREW.....2PCS(Pre-installed)



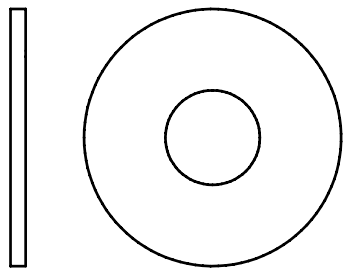
C1. M10 PLATE WASHER (Ø30)...6PCS



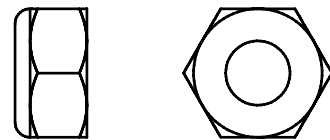
C4. M8 WASHER (Ø18)...12PCS



C3. M12 WASHER (Ø34)...2PCS



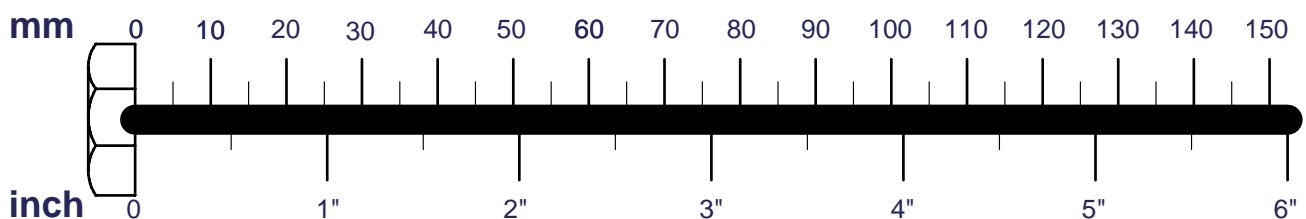
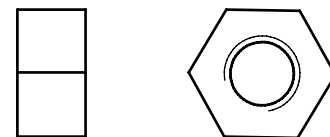
B1. M10 NYLON LOCK NUT...2PCS



C5. M8 SPRING WASHER ...12PCS

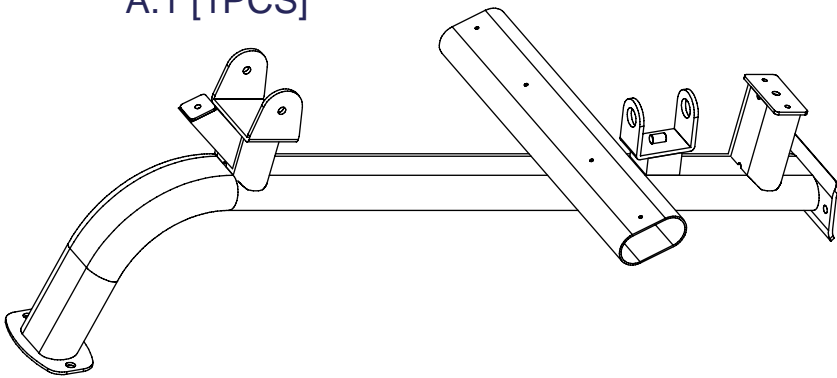


B2. 3/8" JAM NUT...1PCS (Pre-installed)

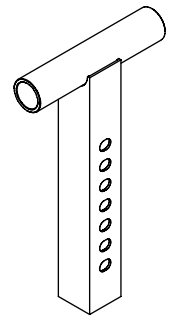


PLSC.1 PARTS

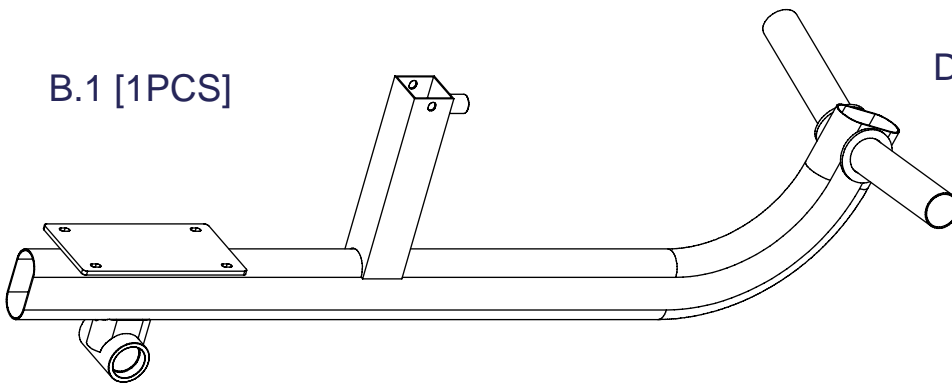
A.1 [1PCS]



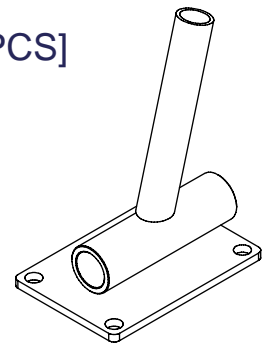
C.1[1PCS]



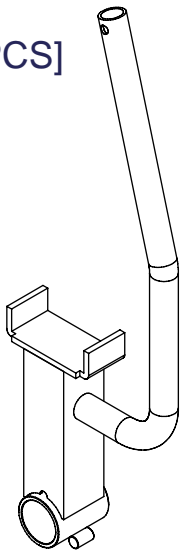
B.1 [1PCS]



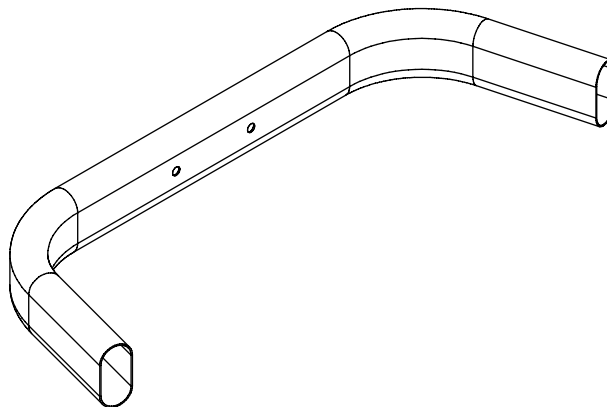
D [2PCS]



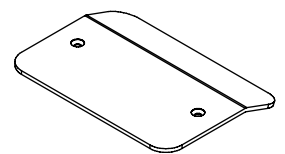
E [1PCS]



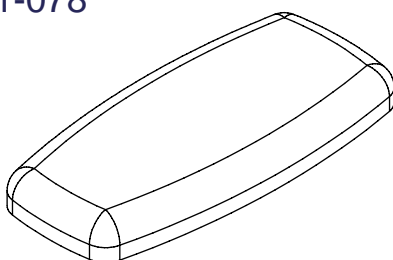
F.1 [1PCS]



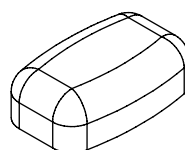
K [2PCS]
8333-099



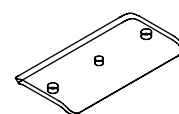
M[1PCS]
9121-078



N [2PCS]
9131-038



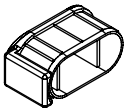
J [1PCS]
8323-236



PLSC.1 PARTS

D1. Foot Caps (9211-117).....	[2PCS]
D2. 50X100 End Cap (9211-114).....	[4PCS]
D3. Block Rubber (9310-077).....	[1PCS]
D4. Rubber Insert (9310-076).....	[1PCS]
D5. Cap Sleeve (9212-026).....	[6PCS]
D6. Ø50 End Cap (9211-074)	[2PCS]
D7. Rubber Dount (9310-016).....	[2PCS]
D8. Pinch Cock (OC-06)	[2PCS]
D9. Nylon Bushing (9211-047)	[1PCS]
D10. Rubber Pad (9310-082).....	[1PCS]
D11.FULLEY SPACER (8120-082) pre-installed.....	[2PCS]
D12. Shaft (8220-201)	[1PCS]
D13. 1/2"X38L Pop Pin (8250-065G) pre-installed.....	[1PCS]
D14. Shaft (8220-200)	[1PCS]
D15.Rubber stop (9310-018) pre-installed	[1PCS]
D16. Bearing (8510-020) pre-installed	[2PCS]
D17. End Closure (8130-253) pre-installed.....	[3PCS]
D18. Foam Grip (9162-120) pre-installed.....	[2PCS]
D19. Oilite Bushing (8520-005) pre-installed.....	[2PCS]
D20. Oilite Bushing (8520-004) pre-installed.....	[2PCS]
D22. Foam Grip (9162-002) pre-installed	[1PCS]
D23. Chrome Collar(8890-061) pre-installed.....	[3PCS]
D24. End Closser (8130-131).....	[2PCS]
D25.Sticker (9440-255) pre-installed.....	[2PCS]

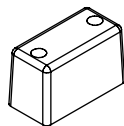
D1



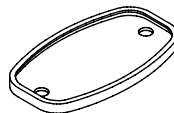
D2



D3



D4



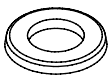
D5



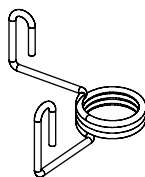
D6



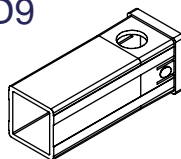
D7



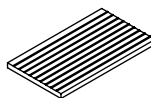
D8



D9



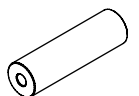
D10



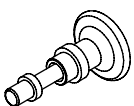
D11



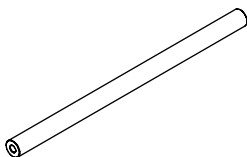
D12



D13



D14



D15



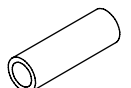
D16



D17



D18



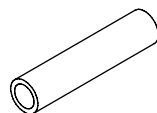
D19



D20



D22



D23

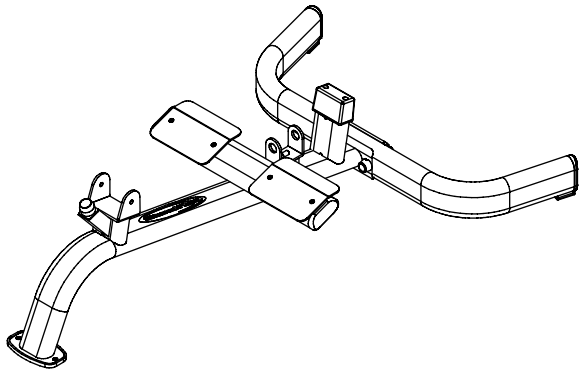


D24

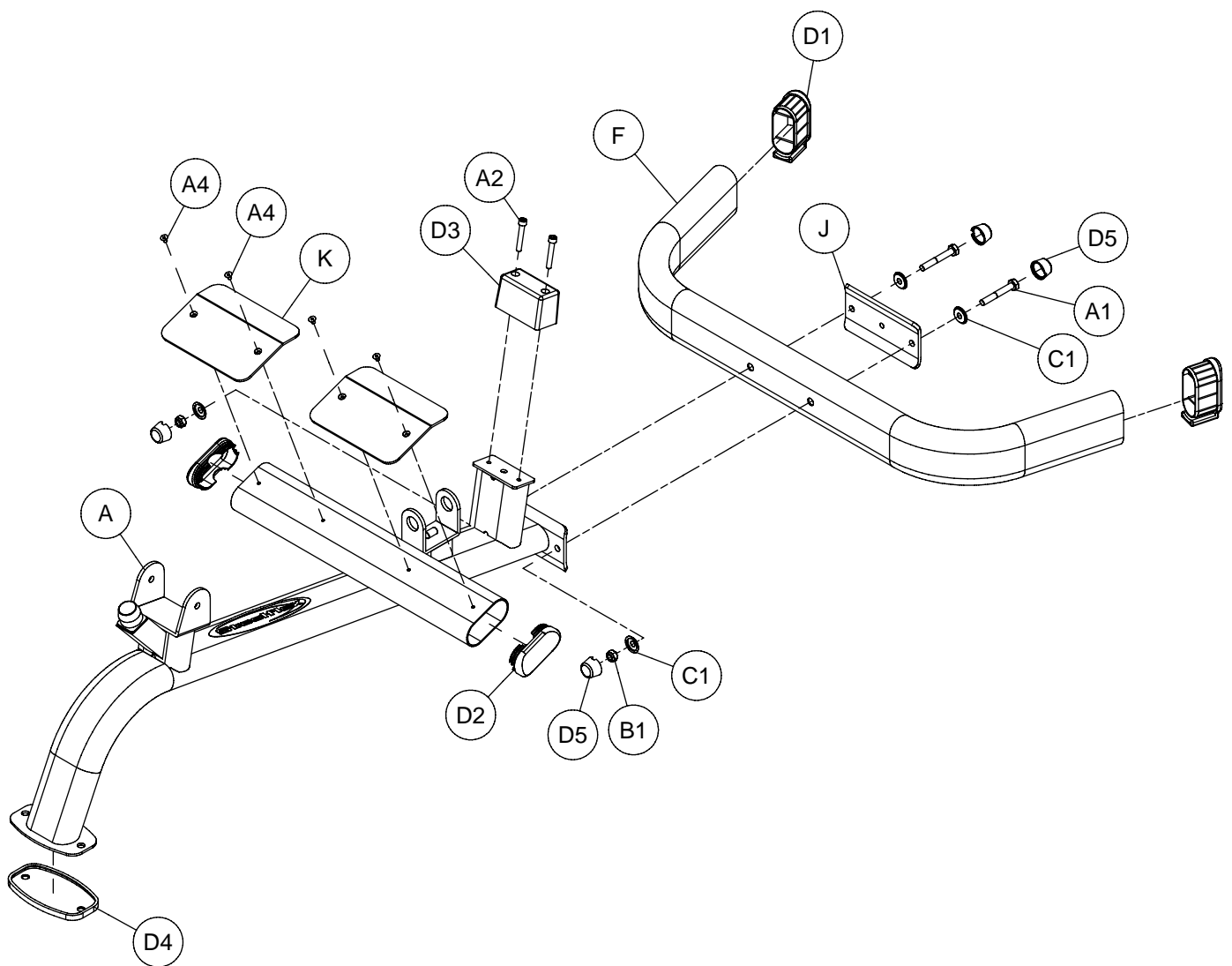


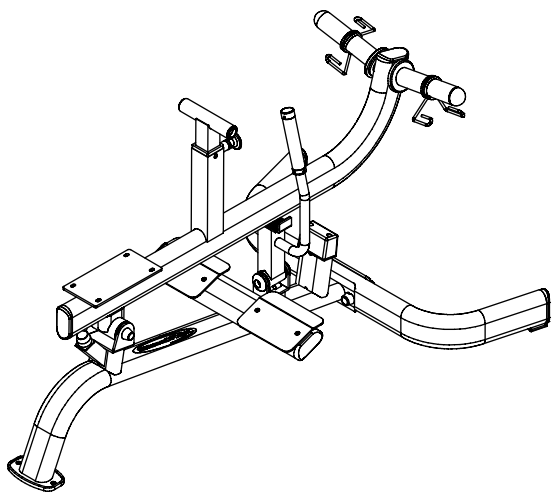
D25



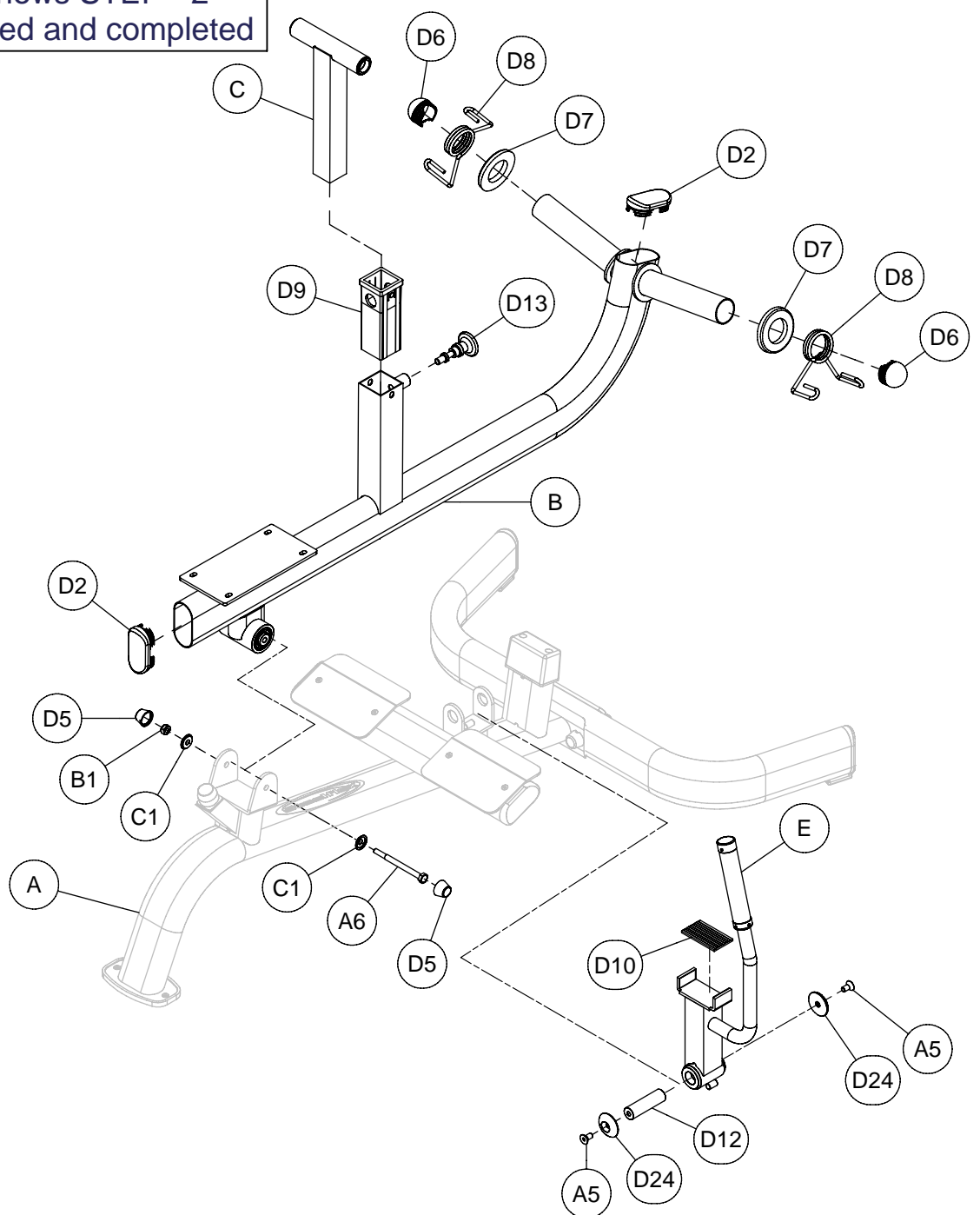


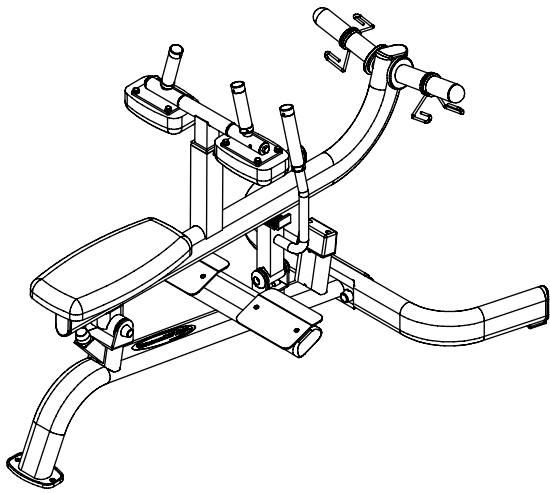
Above shows STEP 1 assembled and completed



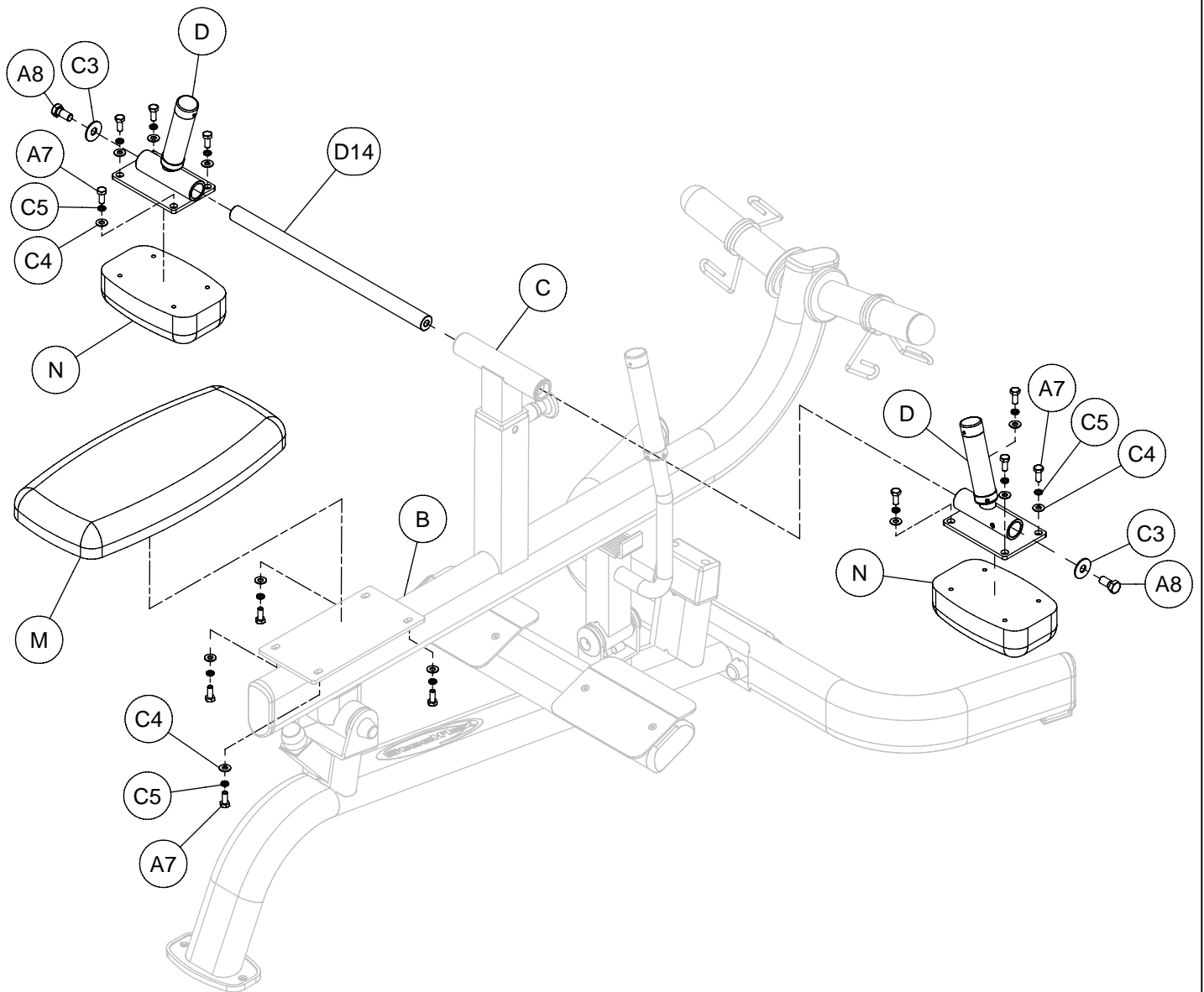


Above shows STEP 2 assembled and completed





Above shows STEP 3 assembled and completed



PLSC.1

Exploded View

