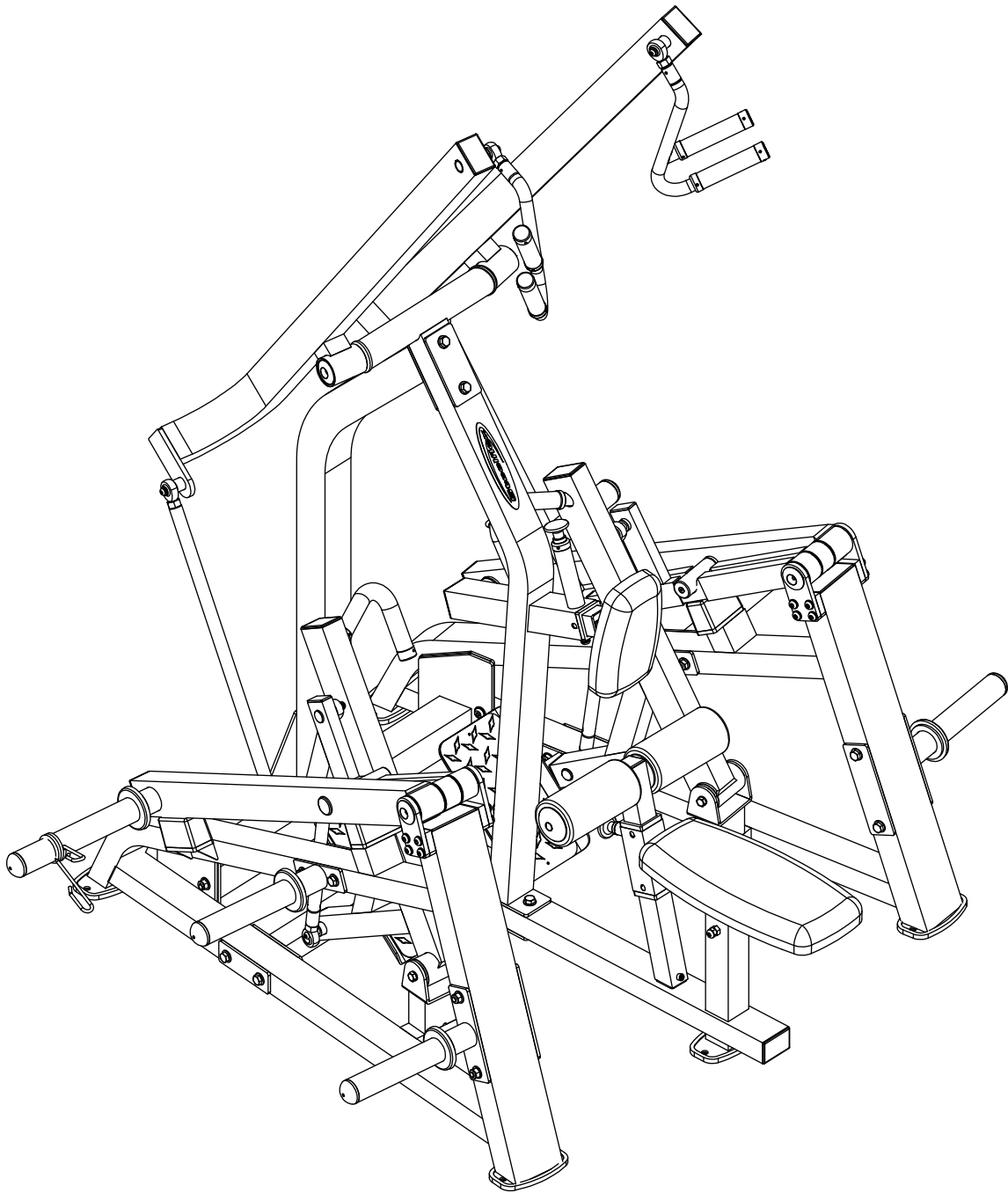




PL2200

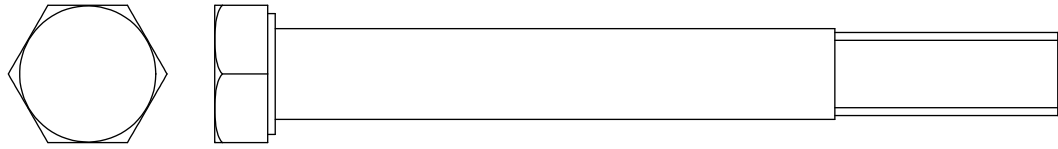


Assembly & Instructions

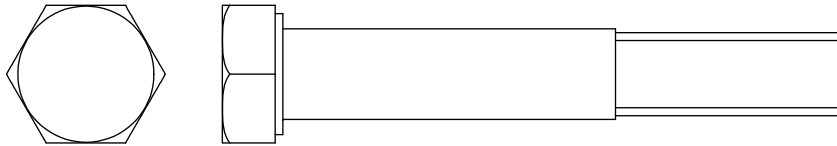
OWNER'S & MANUAL

PL2200 HARDWARE
(shown in actual size)

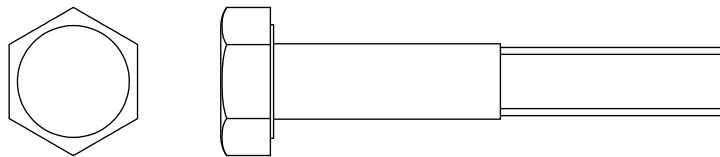
A1.M12X105L HEX HEAD BOLT QTY.12



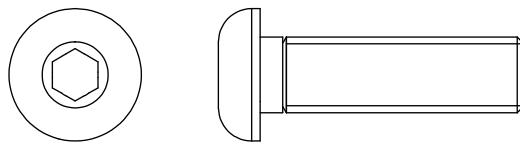
A2.M12X80L HEX HEAD BOLT QTY.6



A3.M10X60L HEX HEAD BOLT QTY.1



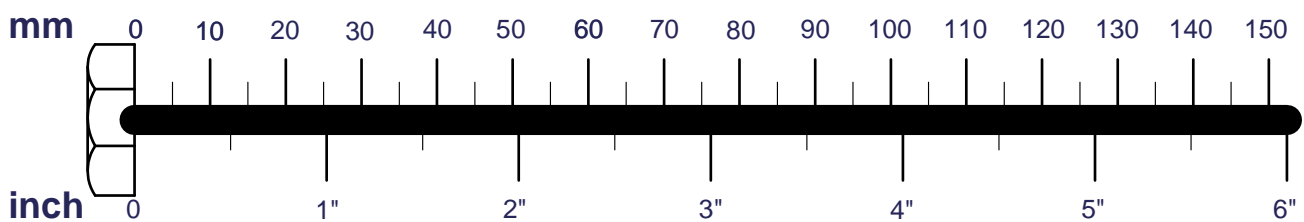
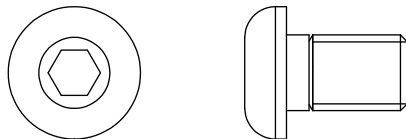
A4.M10X35L ALLEN SCREW QTY.2 (pre-installed)



A5.M8X10L SOCKET SCREW (FULL THREAD) QTY.1 (pre-installed)



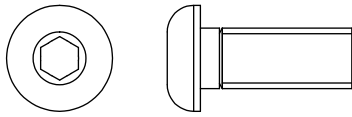
A6.M10X16L ALLEN SCREW QTY.2 (pre-installed)



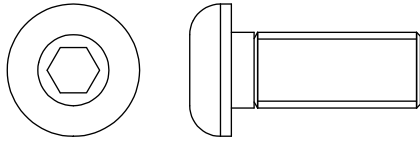
PL2200 HARDWARE

(shown in actual size)

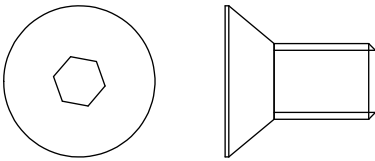
A7.M8X20L ALLEN SCREW QTY.10 (pre-installed)



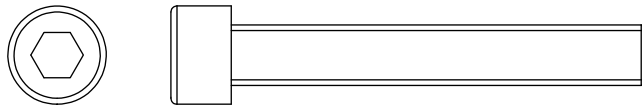
A8.M10X25L ALLEN SCREW QTY.16



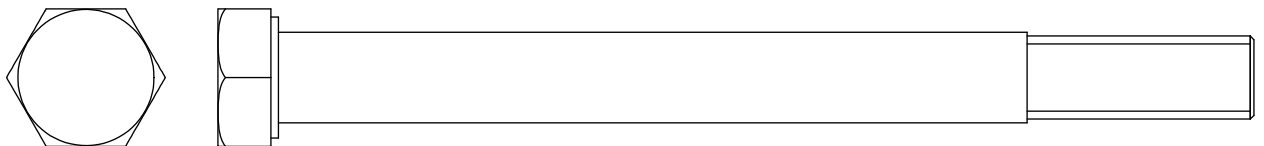
A9.M10X20L THE CONE INNER SIX ANGLE SCREW QTY.6



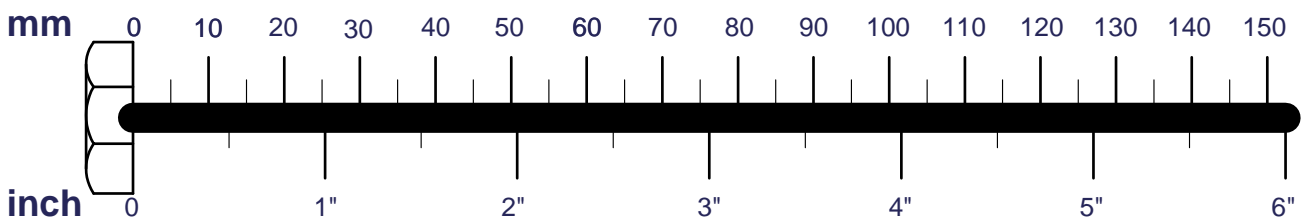
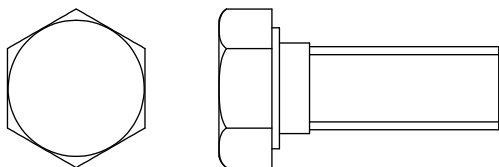
A10.M8X55L SOCKET SCREW (FULL THREAD) QTY.8



A11.M10X130L HEX HEAD BOLT QTY.2

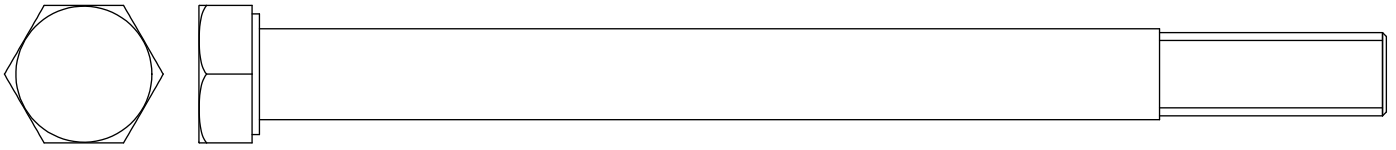


A12.M12X30L HEX HEAD BOLT QTY.6



PL2200 HARDWARE
(shown in actual size)

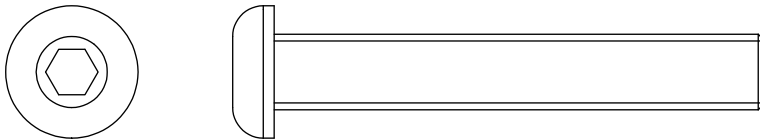
A13.M12X150L HEX HEAD BOLT QTY.4



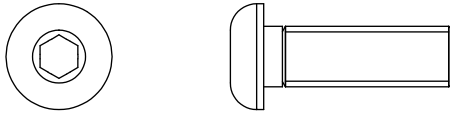
A14.M5X5L GRUB SCREW QTY.30 (pre-installed)



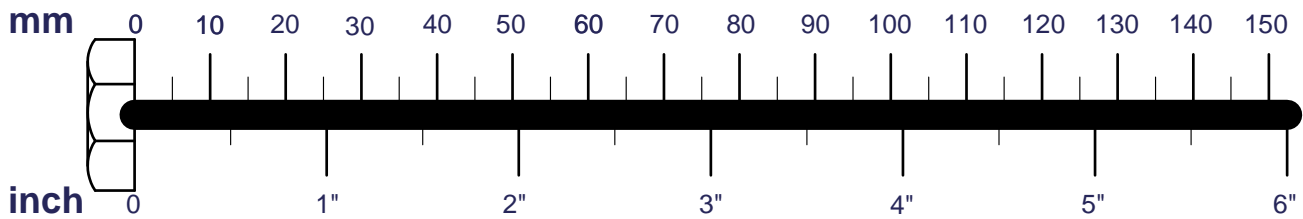
A16.M10X65L ALLEN SCREW QTY.1 (pre-installed)



A17.M8X25L ALLEN SCREW QTY.10



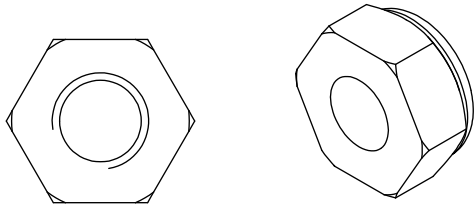
A18.M6X15L THE CONE INNER SIX ANGLE SCREW QTY.2
(Pre-installed)



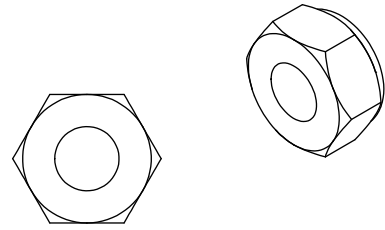
PL2200 HARDWARE

(shown in actual size)

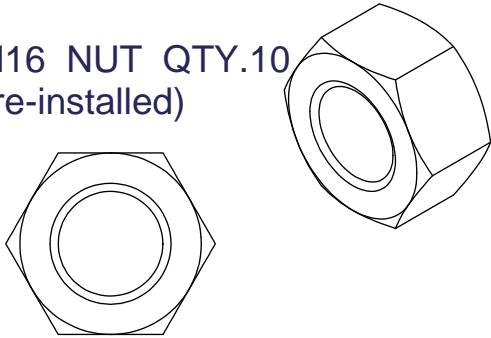
B1.M12 NYLON LOCK NUT QTY.23



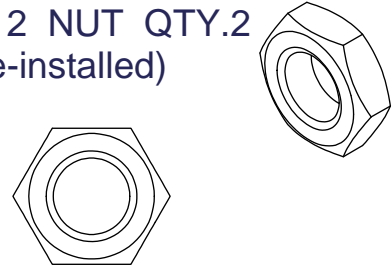
B2.M10 NYLON LOCK NUT QTY.3



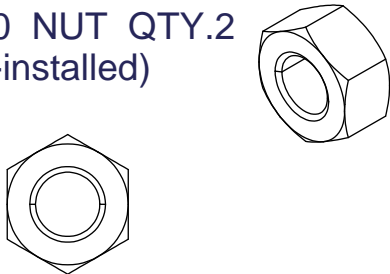
**B3.M16 NUT QTY.10
(pre-installed)**



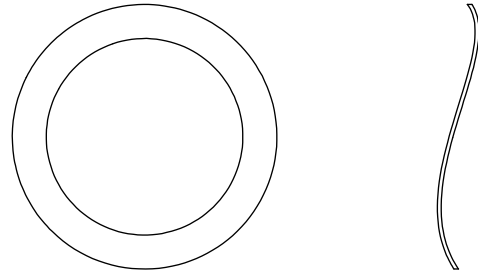
**B4.M12 NUT QTY.2
(pre-installed)**



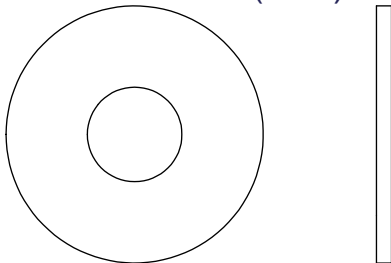
**B5.M10 NUT QTY.2
(pre-installed)**



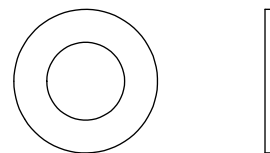
C5.WAVE WASHER (Ø26-Ø35) QTY.2



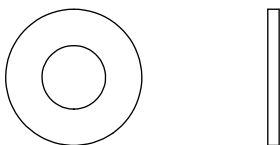
C1.M12 WASHER(Ø25) QTY.51



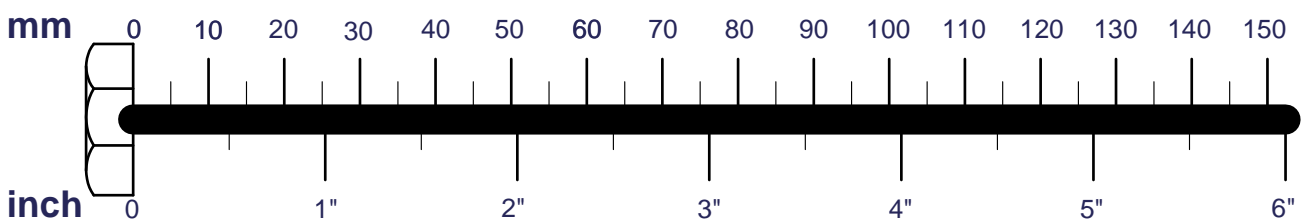
**C2.M10 WASHER (Ø19) QTY.23
(pre-installed qty.3)**



**C3.M8 WASHER (Ø20) QTY.18
(pre-installed qty.10)**

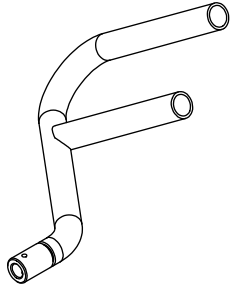


**C4.M8 SPRING WASHER QTY.18
(pre-installed qty.10)**

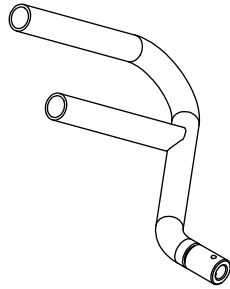


PL2200 HARDWARE
(shown in actual size)

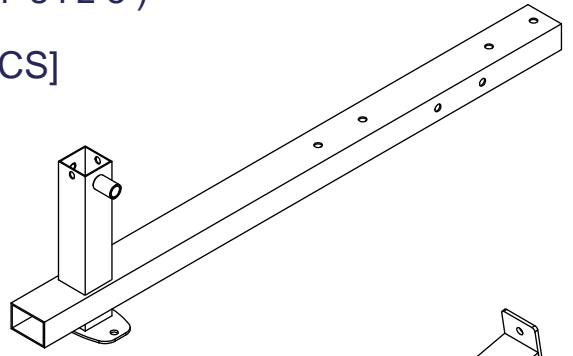
A[1PCS]



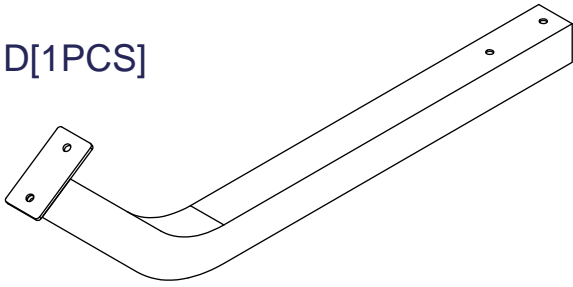
B[1PCS]



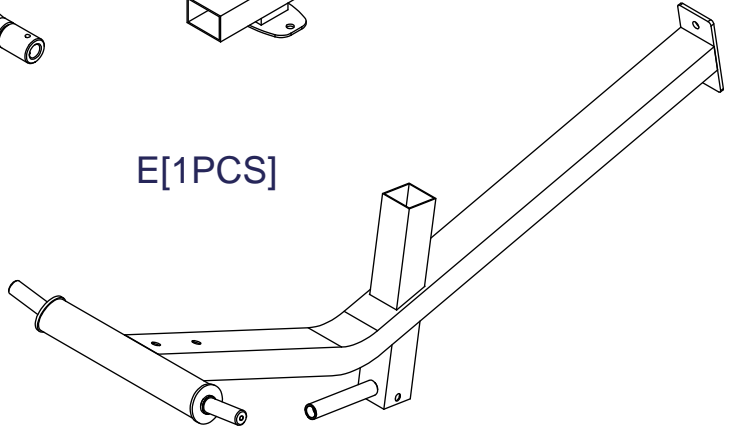
C[1PCS]



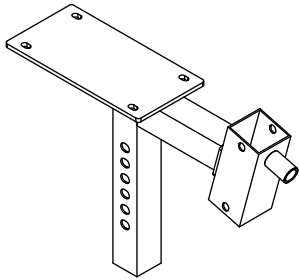
D[1PCS]



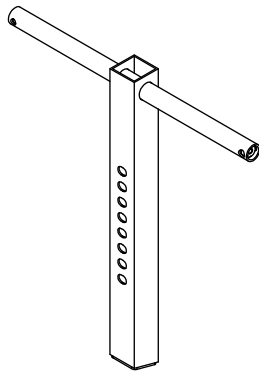
E[1PCS]



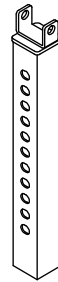
F[1PCS]



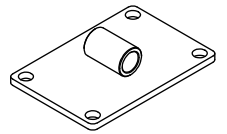
G[1PCS]



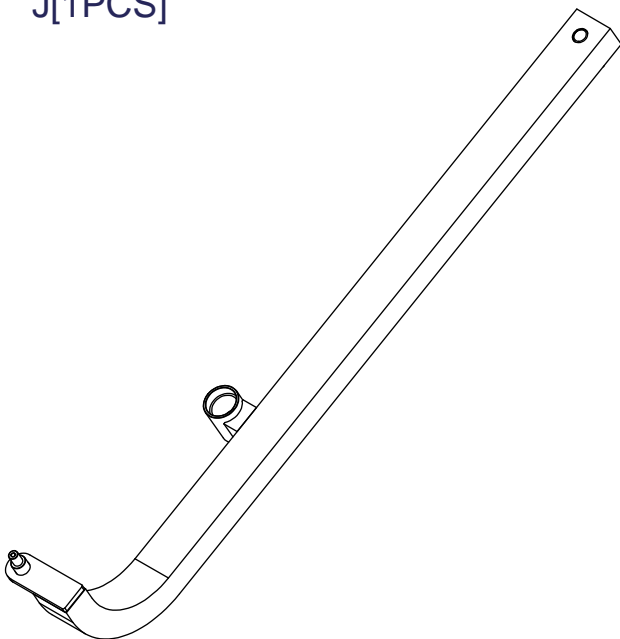
H[1PCS]



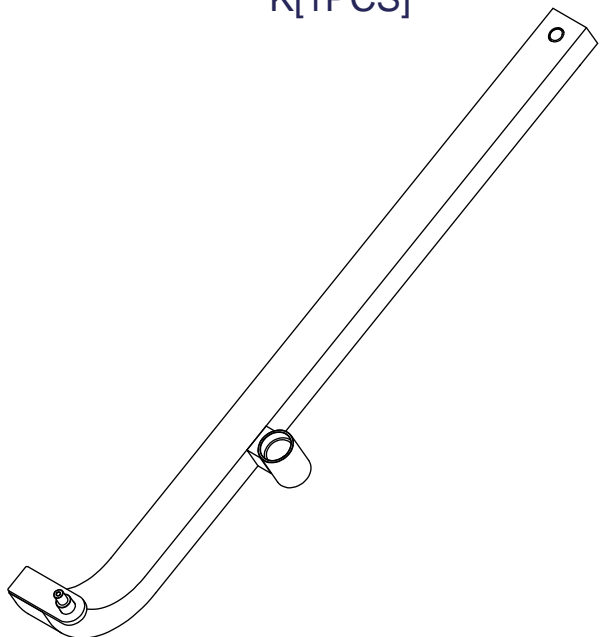
I[1PCS]



J[1PCS]

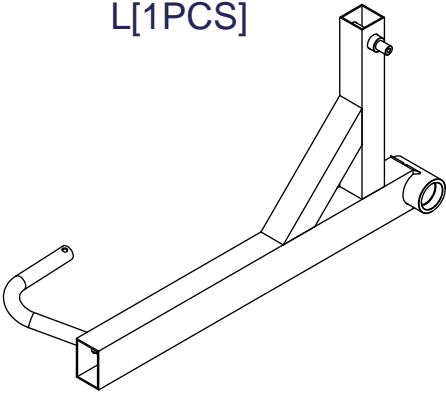


K[1PCS]

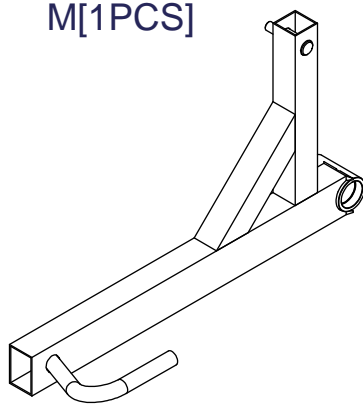


PL2200 HARDWARE
(shown in actual size)

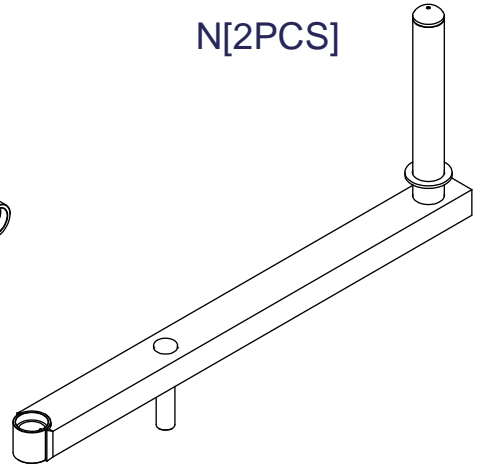
L[1PCS]



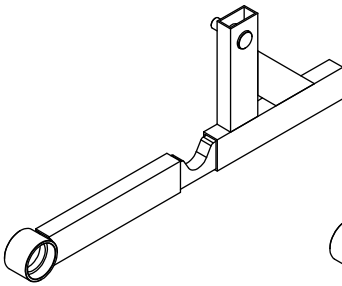
M[1PCS]



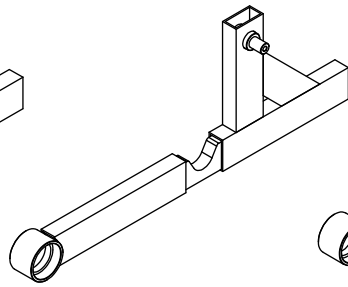
N[2PCS]



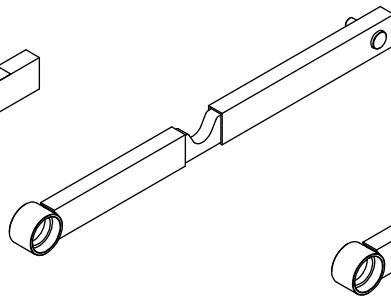
O[1PCS]



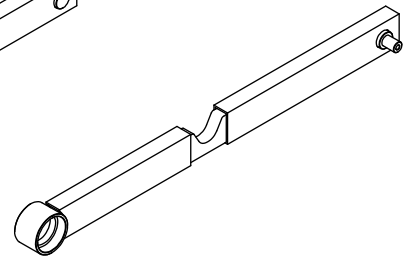
P[1PCS]



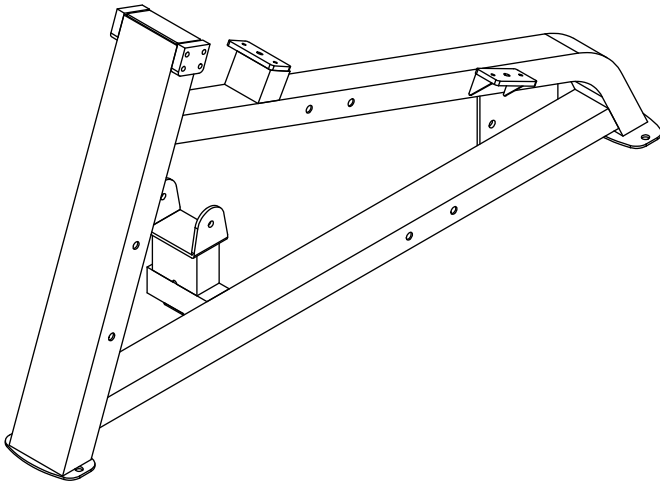
Q[1PCS]



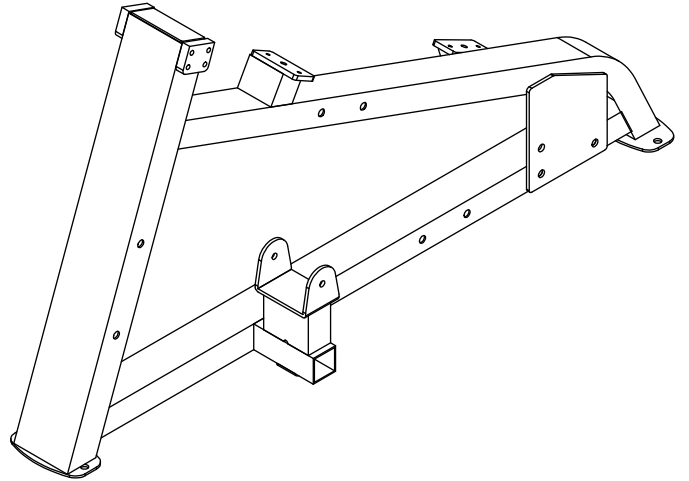
R[1PCS]



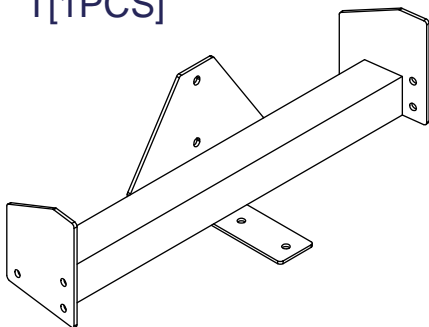
S[1PCS]



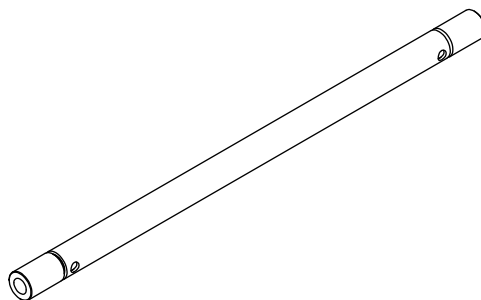
U[1PCS]



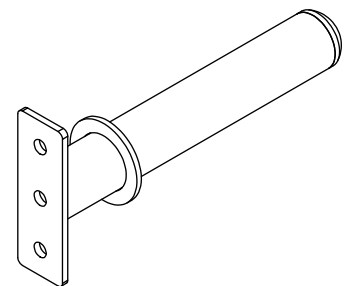
T[1PCS]



V[2PCS]

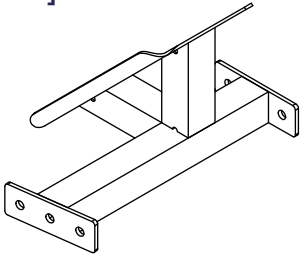


W[2PCS]

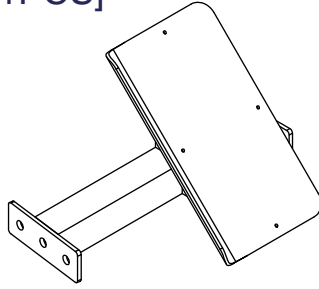


PL2200 HARDWARE
(shown in actual size)

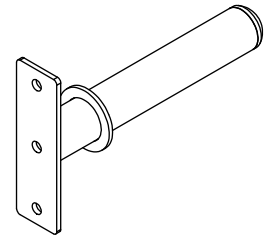
X[1PCS]



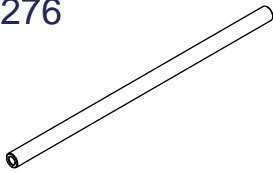
Y[1PCS]



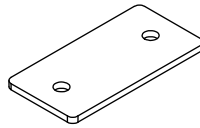
Z[2PCS]



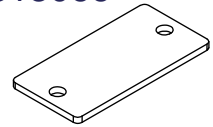
Z1[2PCS]
8220276



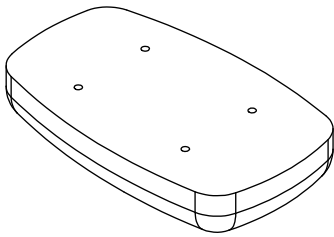
Z2[3PCS]
8313082



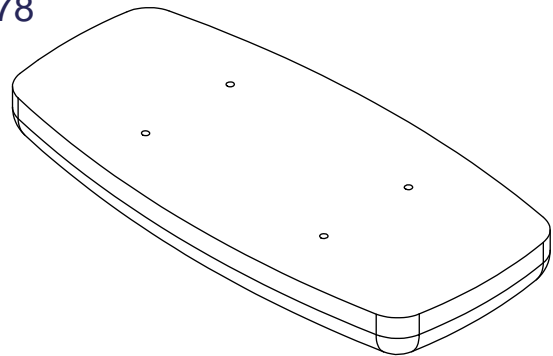
Z3[1PCS]
8313066



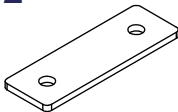
Z4[1PCS]
9111073



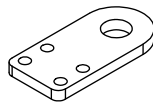
Z5[1PCS]
9121078



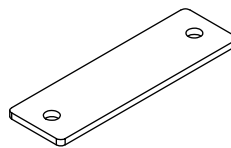
Z6[4PCS]
8312062



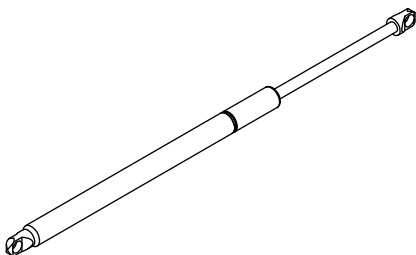
Z7[4PCS]
8313243



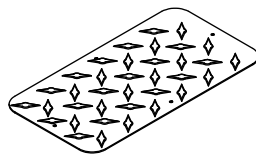
Z8[2PCS]
8313246



Z9[1PCS]
8830023



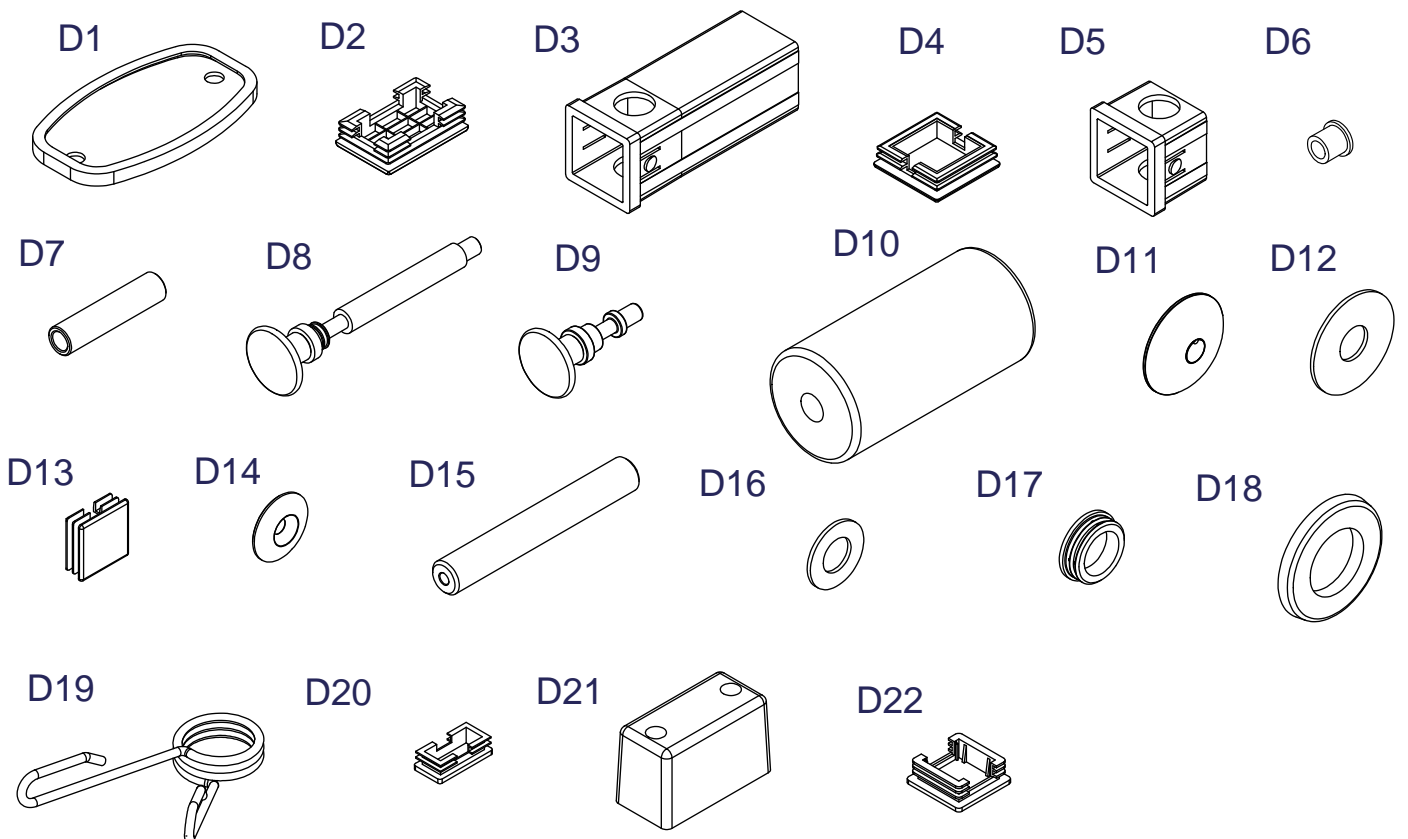
Z10[2PCS]
8360184



PL2200 HARDWARE

(shown in actual size)

D1.Rubber Insert (9310076).....	[5PCS]
D2.End Cap (9211012).....	[7PCS]
D3.Double Deck Set (9211-047).....	[2PCS]
D4.End Cap (9211049)	[1PCS]
D5.Double Deck Set (9211-032).....	[2PCS]
D6.Pulley Spacer (8530009).....	[2PCS]
D7Shaft (8260048) (pre-installed).....	[1PCS]
D8.Pop Pin (8250165G) (pre-installed).....	[1PCS]
D9.Pop Pin (8250065G) (pre-installed).....	[2PCS]
D10.PU Foam (9161076).....	[2PCS]
D11.End Cap (9211157).....	[2PCS]
D12.Washer (9214008).....	[2PCS]
D13.End Cap (9211004).....	[1PCS]
D14.End Closure (8130131).....	[6PCS]
D15.Shaft (8220275)	[2PCS]
D16.Washer (9214001).....	[8PCS]
D17 End Cap (9211020).....	[2PCS]
D18.Rubber Dount (9310-016).....	[6PCS]
D19.Pinch Cock (OC-06).....	[2PCS]
D20. End Cap (9211009).....	[6PCS]
D21.Block Rubber (9310-077).....	[4PCS]
D22 End Cap (9211006).....	[4PCS]



PL2200 HARDWARE

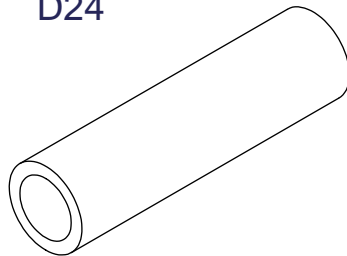
(shown in actual size)

- D23.Chrome Collar (8130-253) (pre-installed).....[5PCS]
- D24.Impregnated With Handle (9162-133) (pre-installed)..... [5PCS]
- D25.Chrome Collar (8890-061) (pre-installed).....[6PCS]
- D26.Bearing (8510-067) (pre-installed).....[2PCS]
- D27.The Copper Sleeve (8520-001) (pre-installed).....[2PCS]
- D28.Bearing (8510-065) (pre-installed).....[8PCS]
- D29.Bearing (8510-037) (pre-installed).....[16PCS]
- D30.Bearing (8510-020) (pre-installed).....[4PCS]
- D31.Pulley Spacer (8120-082) (pre-installed).....[4PCS]
- D32.Impregnated With Handle (9162-210) (pre-installed)..... [2PCS]
- D33.Cushion Mat (9214-045) (pre-installed).....[2PCS]
- D34.Chrome Collar (8130-254) (pre-installed).....[2PCS]
- D35.Anti-collision sheath (9219-039) (pre-installed).....[2PCS]
- D36.The copper washer (8520-008).....[2PCS]

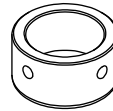
D23



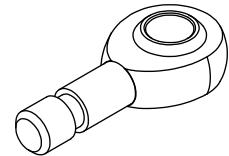
D24



D25



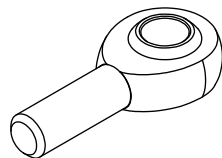
D26



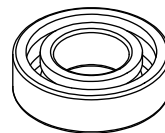
D27



D28



D29



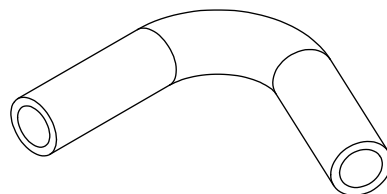
D30



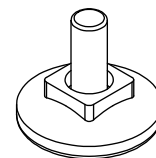
D31



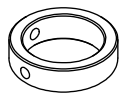
D32



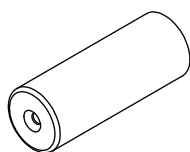
D33



D34

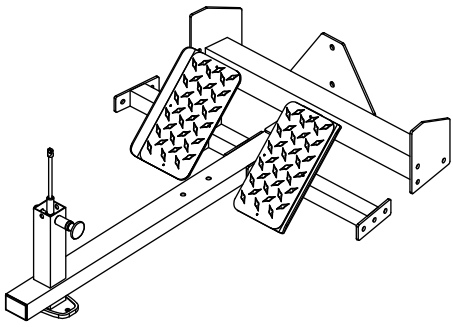


D35

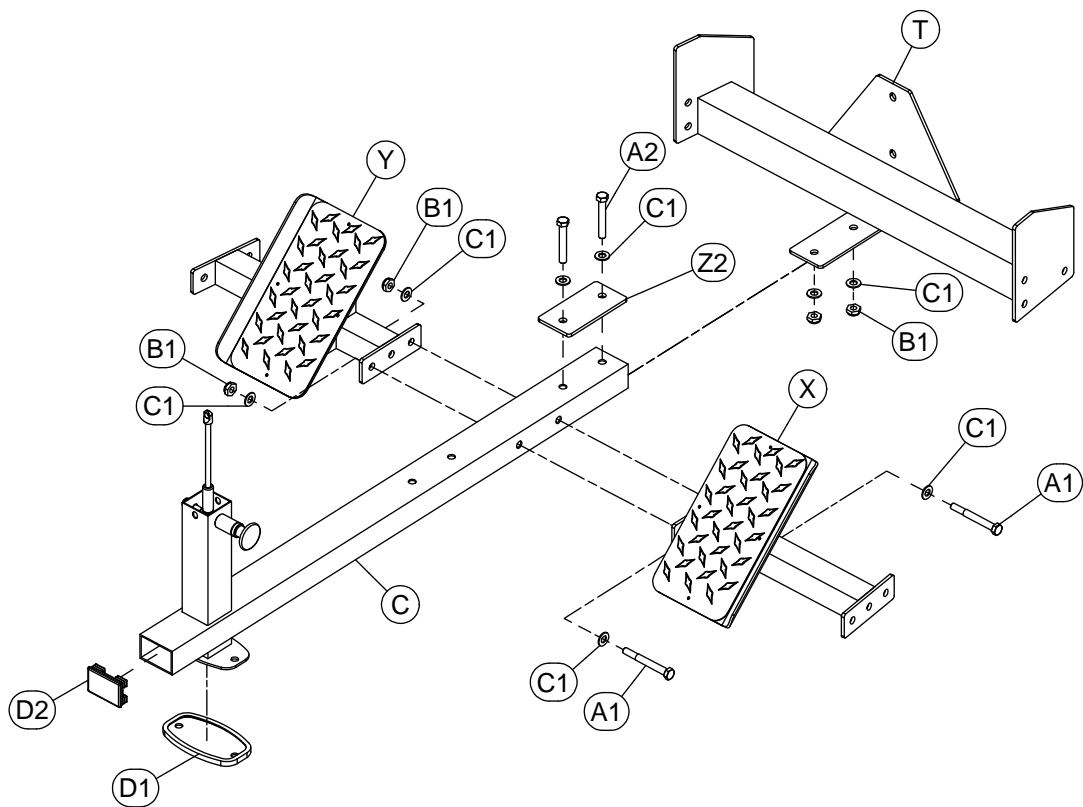


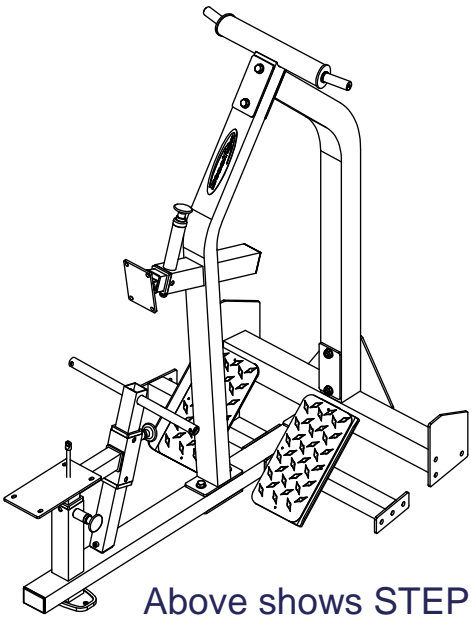
D36



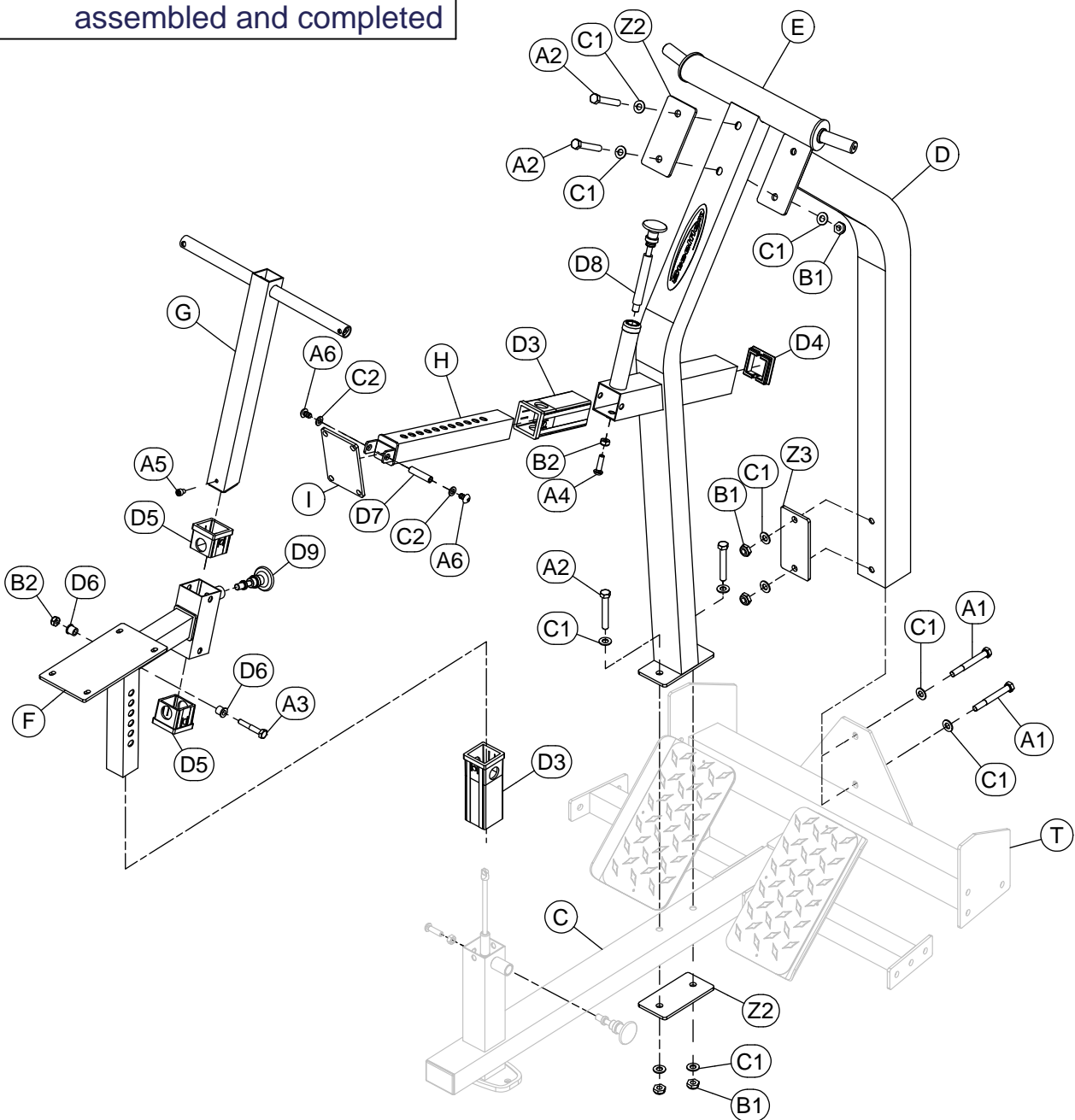


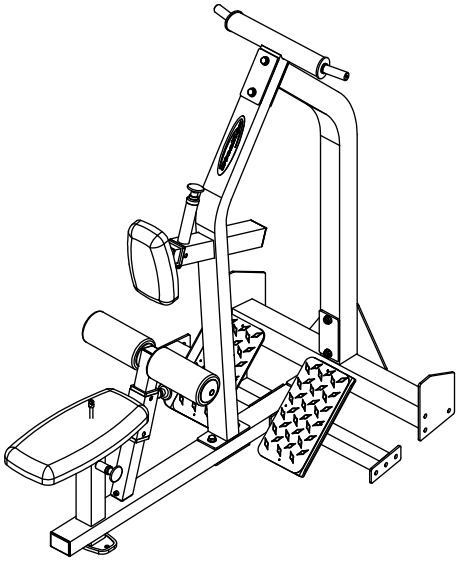
Above shows STEP 1 assembled and completed



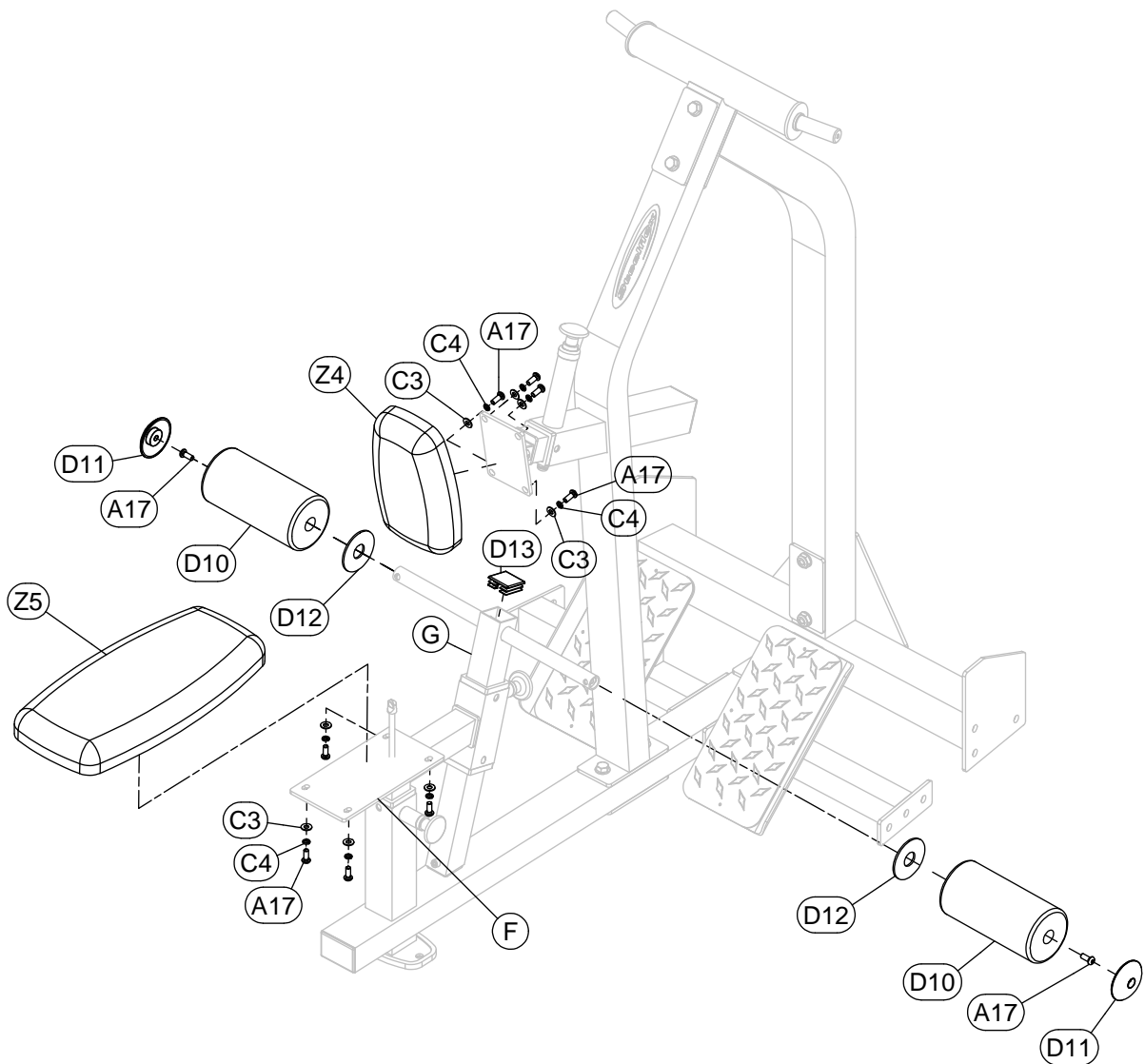


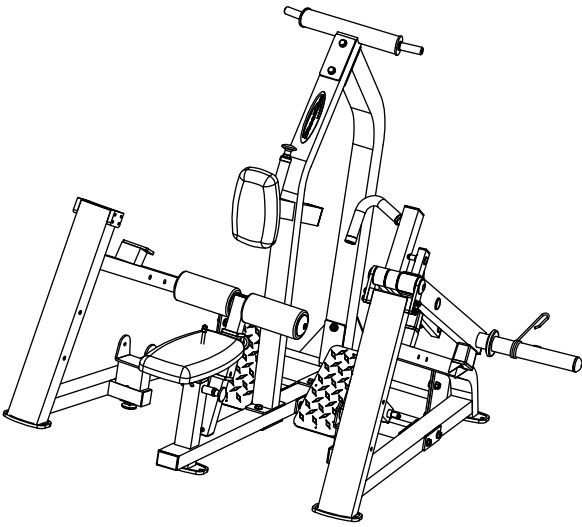
Above shows STEP 2 assembled and completed



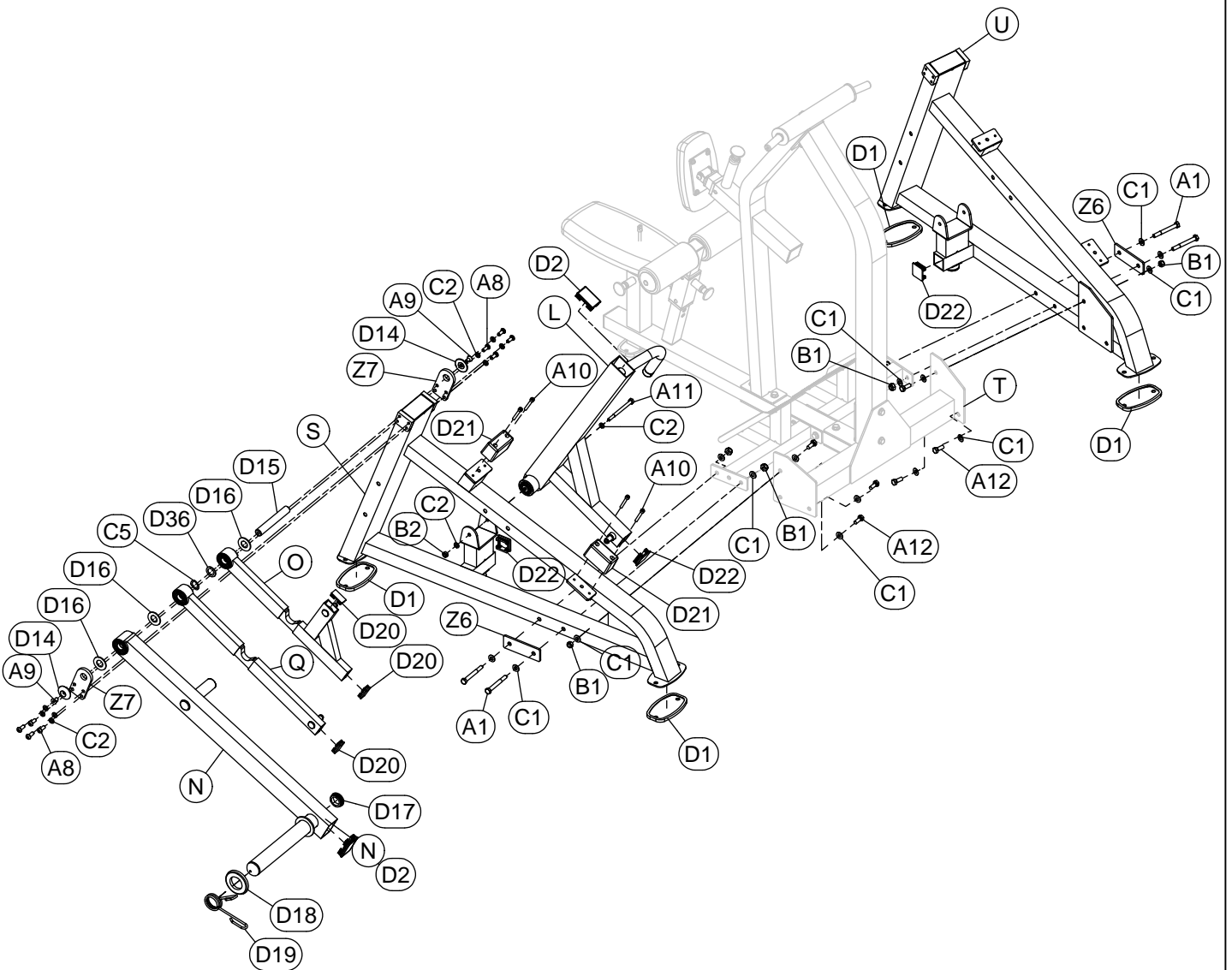


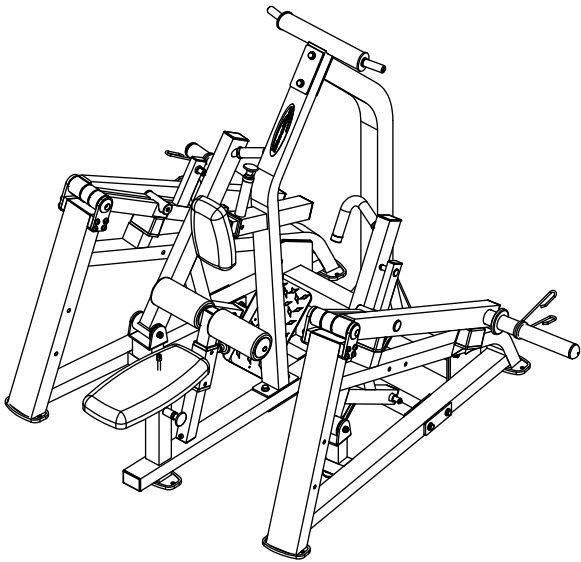
Above shows STEP 3 assembled and completed



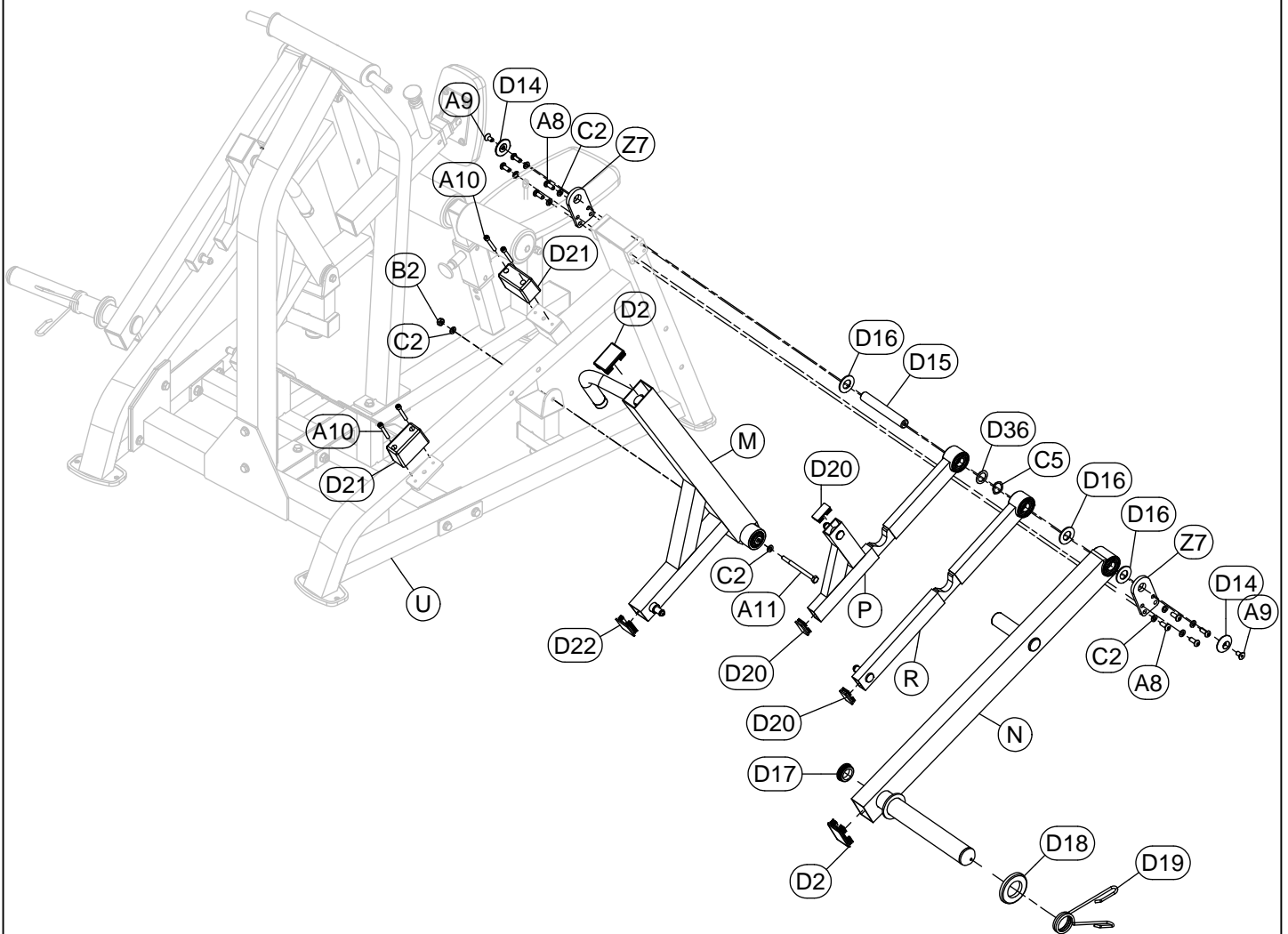


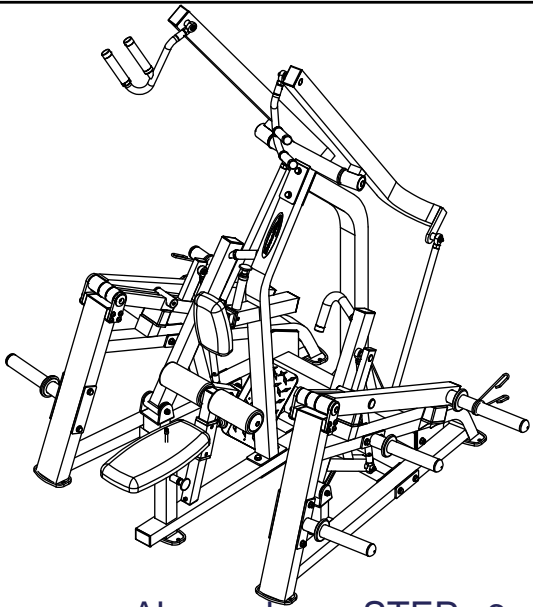
Above shows STEP 4 assembled and completed



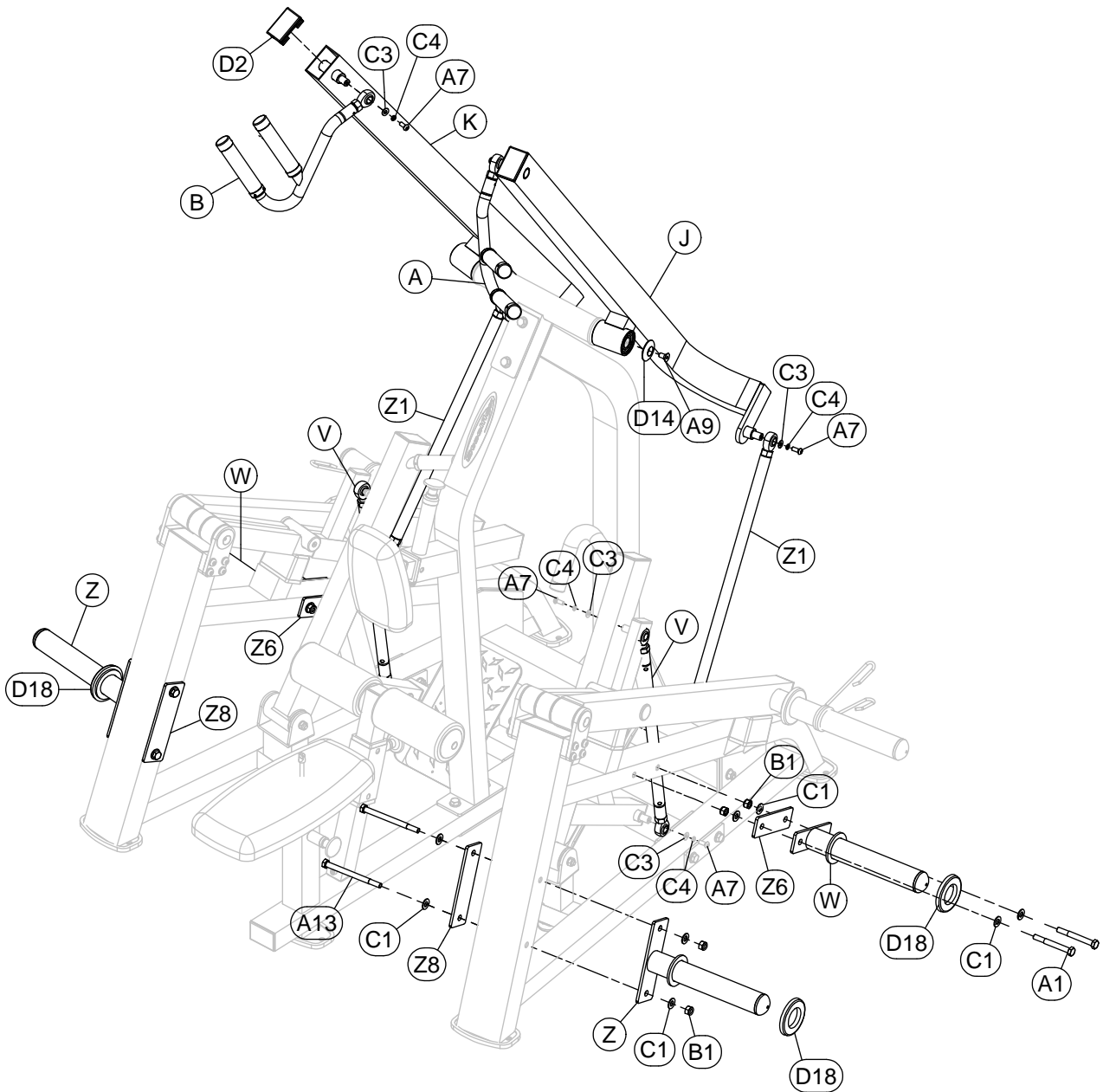


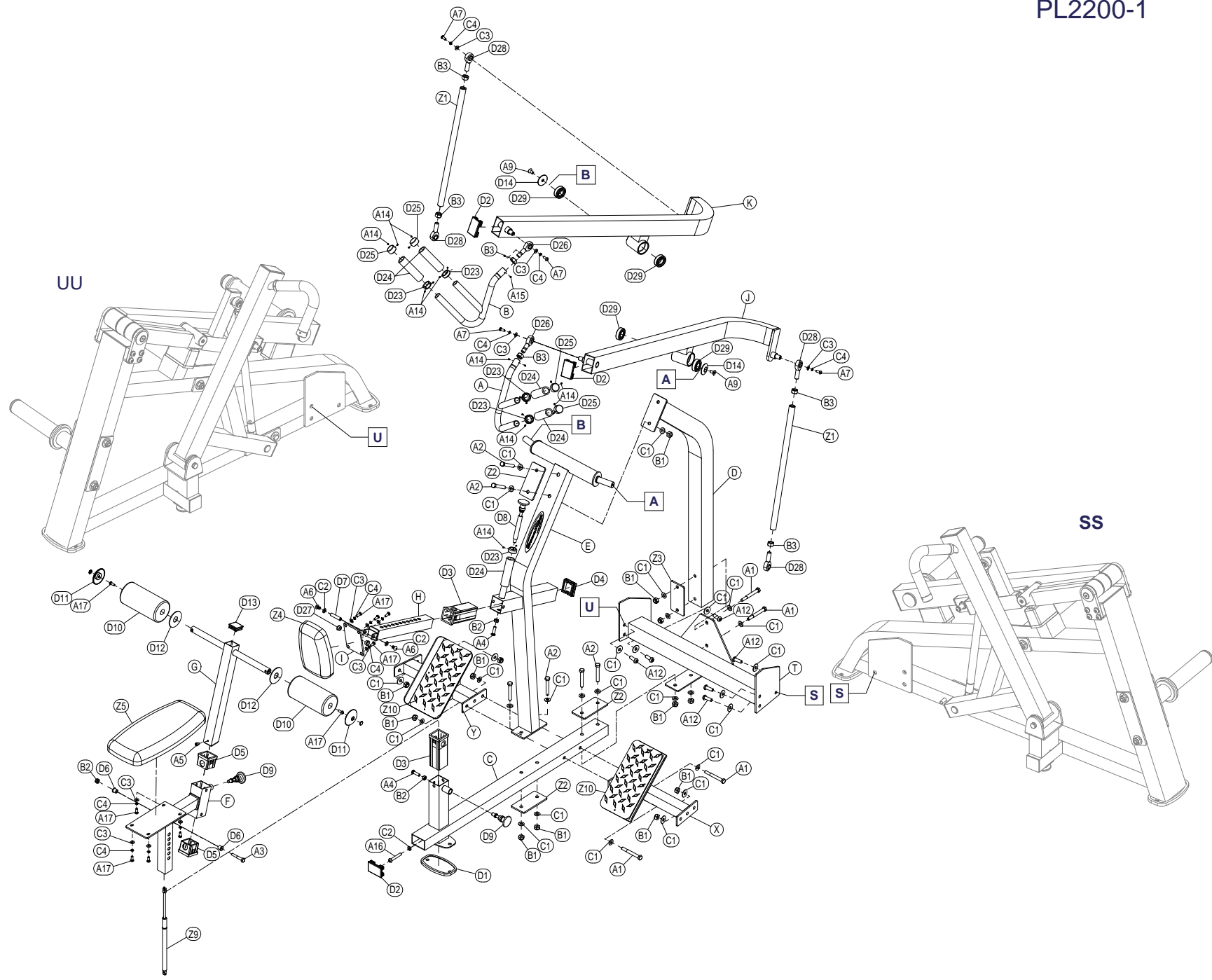
Above shows STEP 5 assembled and completed





Above shows STEP 6 assembled and completed





UU

PL2200-3

