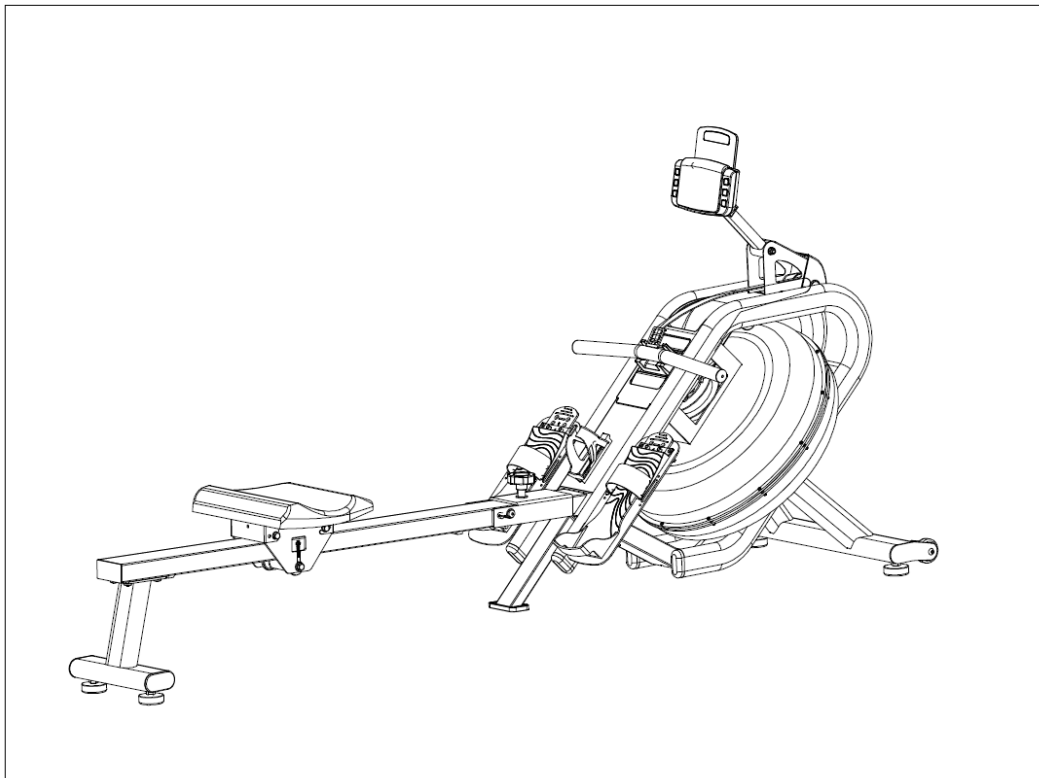




PHANTOM HYDRO WATER ROWING MACHINE

SF-RW5910

USER MANUAL



English, Page 10 ~ 21

IMPORTANT! Please retain owner's manual for maintenance and adjustment instructions. Your satisfaction is very important to us, **PLEASE DO NOT RETURN UNTIL YOU HAVE CONTACTED US:** support@sunnyhealthfitness.com or 1 - 877 - 90SUNNY (877-907-8669).

Español, Page 22 ~ 33

¡IMPORTANTE! Por favor, conserve el manual del usuario para las instrucciones de mantenimiento y ajuste. Su satisfacción es muy importante para nosotros, **SI AL PRODUCTO LE HACE FALTA PARTES, POR FAVOR NO LO DEVUELVA HASTA TENER CONTACTO CON NOSOTROS:** support@sunnyhealthfitness.com o al 1 - 877 - 90SUNNY (877-907-8669).



WWW.SUNNYHEALTHFITNESS.COM

IMPORTANT SAFETY INFORMATION

We thank you for choosing our product. To ensure your safety and health, please use this equipment correctly. It is important to read this entire manual before assembling and using the equipment. Safe and effective use can only be achieved if the equipment is assembled, maintain and used properly. It is your responsibility to ensure that all users of the equipment are informed of all warnings and precautions.

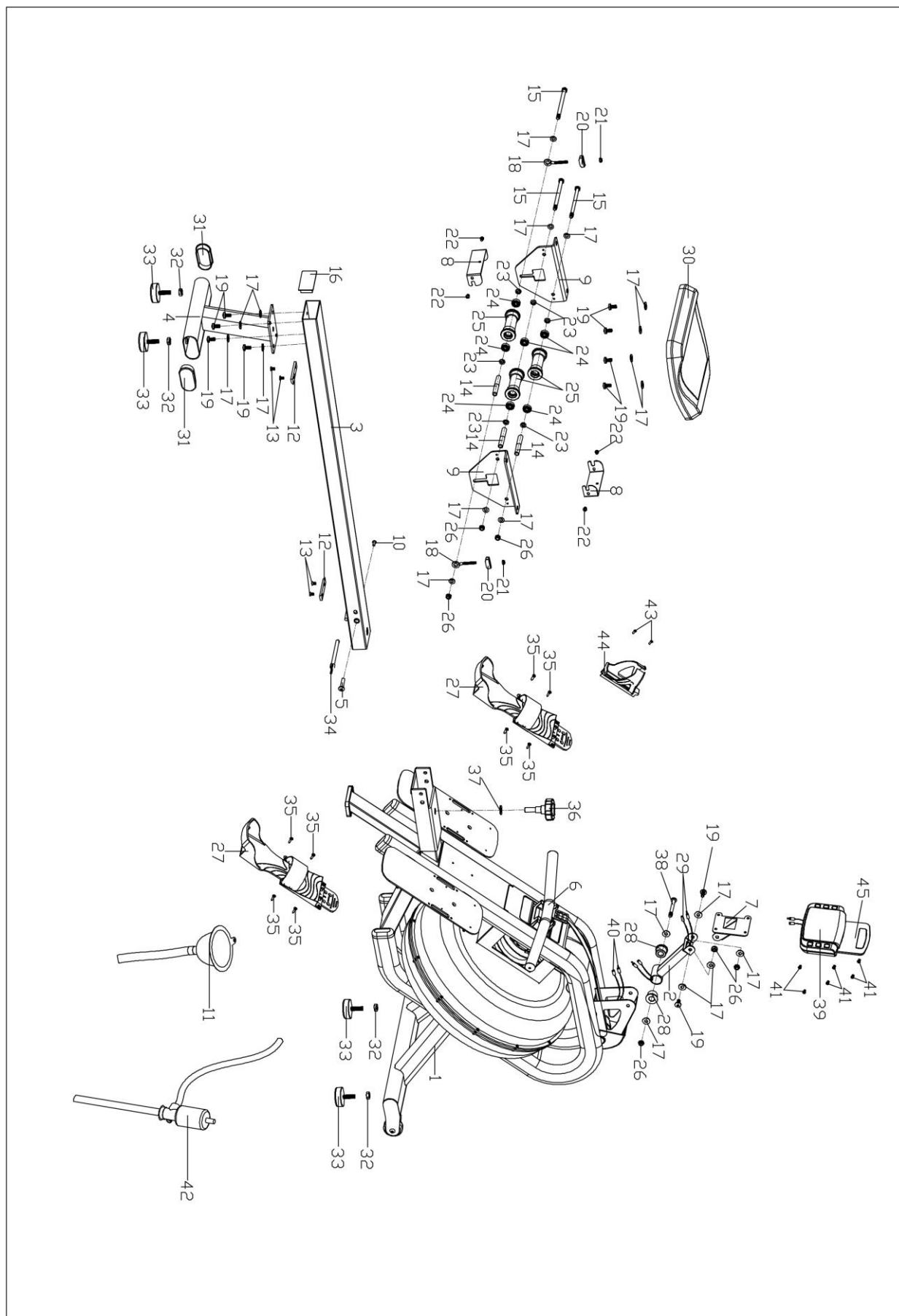
1. Before starting any exercise program, you should consult your physician to determine if you have any medical or physical conditions that could put your health and safety at risk or prevent you from using the equipment properly. Your physician's advice is essential if you are taking medication that affects your heart rate, blood pressure or cholesterol level.
2. Be aware of your body's signals. Incorrect or excessive exercise can damage your health. Stop exercising if you experience any of the following symptoms: pain, tightness in your chest, irregular heartbeat, shortness of breath, lightheadedness, dizziness or feelings of nausea. If you do experience any of these conditions, you should consult your physician before continuing with your exercise program.
3. Keep children and pets away from the equipment. The equipment is designed for adult use only.
4. Use the equipment on a solid, flat level surface with a protective cover for your floor or carpet. To ensure safety, the equipment should have at least 2 feet (60CM) of free space all around it.
5. Ensure that all nuts and bolts are securely tightened before using the equipment. The safety of the equipment can only be maintained if it is regularly examined for damage and/or wear and tear.
6. Always use the equipment as indicated. If you find any defective components while assembling or checking the equipment, or if you hear any unusual noises coming from the equipment during exercise, discontinue use of the equipment immediately and do not use until the problem has been rectified.
7. Wear suitable clothing while using the equipment. Avoid wearing loose clothing that may become entangled in the equipment.
8. Do not place fingers or objects into the moving parts of the equipment
9. The maximum weight capacity of this unit is 300 pounds (135 KG).
10. The equipment is not suitable for therapeutic use.
11. To avoid bodily injury and/ or damage to the product or property, proper lifting and moving is required.
12. Your product is intended for use in cool and dry conditions. You should avoid storage in extreme cold, hot or damp areas as this may lead to corrosion and other related problems.
13. This equipment is designed for indoor and home use only. It is not intended for commercial use.

INFORMACIÓN IMPORTANTE DE SEGURIDAD

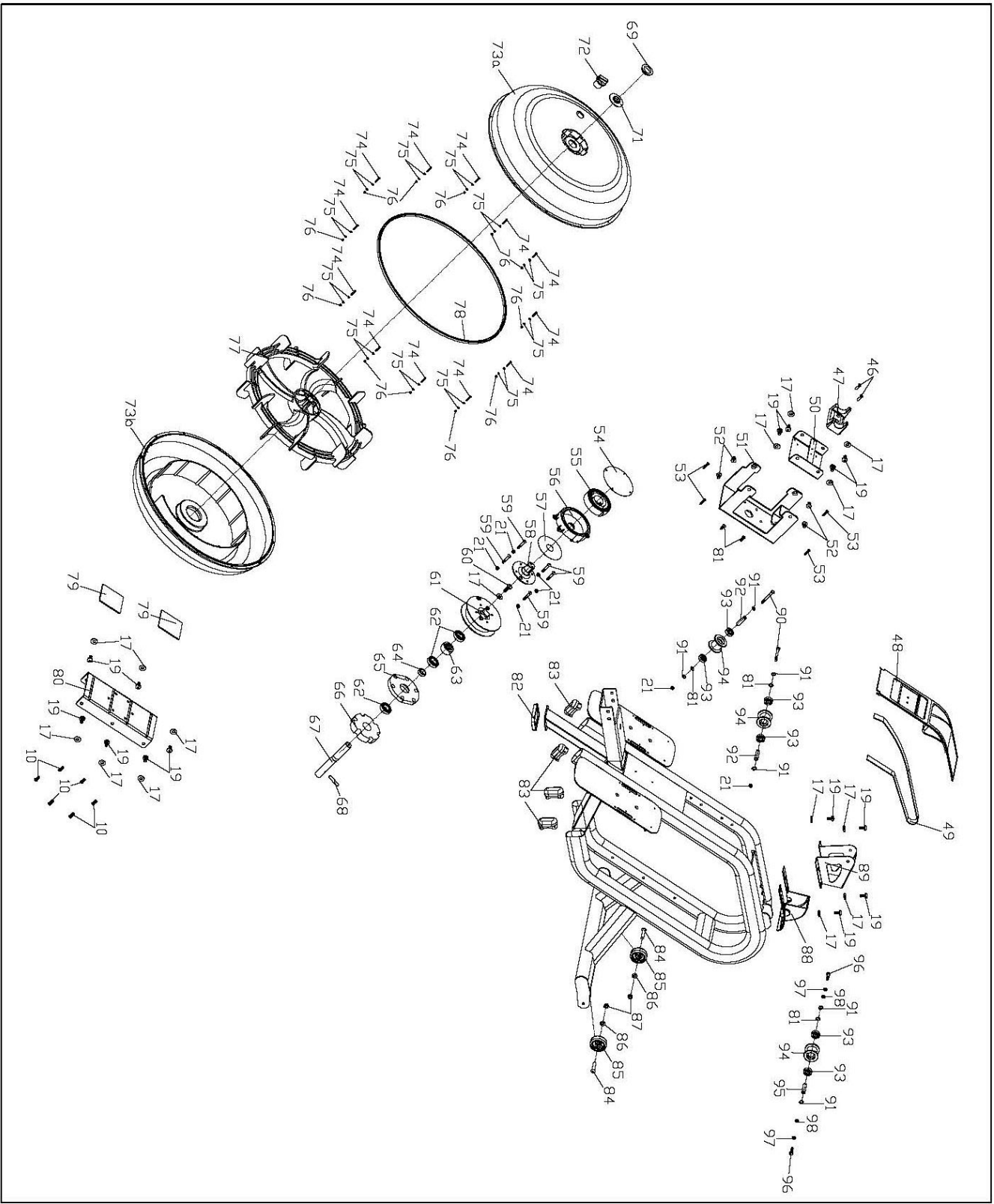
Gracias por haber elegido nuestro producto. Para garantizar su seguridad y salud, utilice este equipo correctamente. Es importante que lea todo el manual antes de instalar y usar el equipo. Solo se puede garantizar el uso seguro y eficaz del equipo si se instala, mantiene y utiliza correctamente. Es su responsabilidad asegurarse de que todos los usuarios de los equipos conozcan todas las advertencias y precauciones.

1. Antes de comenzar algún programa de ejercicios, deberá consultar con su médico para determinar si tiene alguna condición médica o física que pudiera poner en riesgo su salud y seguridad o que pudiera impedir que utilice correctamente el equipo. Es importante que reciba las recomendaciones de su médico en caso de que esté tomando algún medicamento que pudiera afectar su ritmo cardíaco, presión arterial o nivel de colesterol.
2. Esté atento a las señales que le envía su cuerpo. Ejercitarse de manera incorrecta o excesiva puede dañar su salud. Deje de hacer ejercicio si experimenta alguno de los siguientes síntomas: dolor, opresión en el pecho, latidos cardíacos irregulares, falta de aire, sensación de desmayo, mareos o sensación de náuseas. Si presenta alguna de esas condiciones, deberá consultar con su médico antes de continuar con su programa de ejercicios.
3. Mantenga el equipo lejos del alcance de niños y mascotas. El equipo está diseñado para el uso exclusivo de adultos.
4. Utilice el equipo en una superficie plana y sólida con una cubierta protectora para su piso o alfombra. Para garantizar su seguridad, el equipo debe tener por lo menos 60 CM (2 pies) de espacio libre a su alrededor.
5. Asegúrese de que todas las tuercas y pernos estén bien ajustados antes de usar el equipo. Solo puede conservarse la seguridad del equipo si se inspecciona regularmente para detectar daños o desgaste.
6. Siempre utilice el equipo como se indica. Si encuentra algún componente defectuoso mientras instala o revisa el equipo, o si escucha ruidos extraños que provienen de este mientras se ejercita, deje de utilizarlo inmediatamente y no lo utilice hasta que el problema se haya corregido.
7. Use ropa adecuada cuando utilice el equipo. Evite usar ropa suelta que pueda enredarse en el equipo.
8. No coloque los dedos u objetos en las piezas móviles del equipo.
9. La capacidad de peso máximo de esta unidad es de 135KG (300 libras).
10. Este equipo no es adecuado para uso terapéutico.
11. Muévase con cuidado cuando levante y mueva el equipo. Siempre utilice la técnica de levantamiento adecuada y pida ayuda en caso de que sea necesario.
12. Su producto está diseñado para usarse en un lugar fresco y seco. Debe evitar tenerlo en lugares extremadamente fríos, calientes o húmedos, ya que podría provocar corrosión y otros problemas afines.
13. Este equipo está diseñado solo para uso interior; no es para uso comercial.

EXPLODED DIAGRAM 1



EXPLODED DIAGRAM 2



PARTS LIST

No.	Description	Spec.	Qty.
1	Main Frame		1
2	Meter Support Tube		1
3	Slide Rail		1
4	Rear Support Tube		1
5	Bolt	Φ10xL94.5	1
6	Pull Bar		1
7	Meter Plate		1
8	U Shape Baffle		2
9	Supporting Board		2
10	Bolt	M6xL15	7
11	Funnel		1
12	Limit Cushion		2
13	Screw	M6x10	4
14	Spacer		3
15	Hex Bolt	M8x125	3
16	Square Cap		1
17	Flat Washer	D8xD20x1.5	35
18	Adjustable Chain Bolt		2
19	Screw	M8x16	24
20	Adjustable Chain U Mat		2
21	Nylon Nut	M6	9
22	Screw	M5x7	4
23	Roller Spacer		6
24	Bearing		6
25	Roller		3
26	Nylon Nut	M8	6
27	Pedal		2
28	Plastic Bushing		2
29	Extension Wire		2
30	Seat		1
31	Oval Cap		2
32	Hex Nut	M10	4
33	Adjustable Foot Pad		4
34	Spring Knob		1
35	Screw	M4x5	8
36	Knob		1
37	Flat Washer	d12xΦ24x2.0	1
38	Screw	M8x70	1
39	Meter		1
40	Sensor Wire		2
41	Screw	M5X10	6
42	Pumping Siphon		1
43	Screw	M5x10	2
44	Bottle Holder		1
45	Tablet Holder		1
46	Screw	M5x15	2

No.	Description	Spec.	Qty.
47	Handlebar Holder		1
48	Protective Cover		1
49	Mesh Belt		1
50	Board		1
51	Fixed Plate		1
52	Screw	M8x15	4
53	Screw	ST4.2x16	4
54	PC Board 3		1
55	Volute Spring		1
56	Volute Wheel		1
57	PC Board 2		1
58	Volute Spring Axle		1
59	Screw	M6x35	5
60	Screw	M8x25	1
61	Belt Wheel		1
62	Bearing		3
63	Bearing		1
64	Spacer		1
65	Fixed Plate		1
66	Raw Cotton		1
67	Rotating Axle		1
68	Stainless Steel Pin		1
69	Small Seal Ring	Small size	1
70	N/A		-
71	Seal Ring	Medium size	1
72	Plug		1
73a/b	Tank Cover		1 pr.
74	Screw	M3x20	12
75	Flat Washer	d3.5xΦ7x0.5	24
76	Nylon Nut	M3	12
77	Impeller		1
78	Seal Ring	Large size	1
79	Silicone Cushion		2
80	Supporting Board		1
81	Wave Washer		4
82	Rubber Foot Pad		1
83	Oblate Plug		4
84	Bolt	M8x38	2
85	Roller		2
86	Flat Washer	d8xΦ16x1.5	2
87	Nylon Nut	M8	2
88	Protective Cover		1
89	Fixed Plate		1
90	Hex Bolt	M6x55	2
91	Axle Washer		6
92	Belt Wheel Axle		2

No.	Description	Spec.	Qty.
93	Bearing		6
94	Belt Roller		3
95	Belt Wheel Axle		1
96	Hex Bolt	M6x15	2
97	Spring Washer	D6	2

No.	Description	Spec.	Qty.
98	Flat Washer	D6	2
99	Spanner	S=10,13,14, 15,17	1
100	Allen Wrench	S=5	1
101	Allen Wrench	S=6	1

LISTA DE PIEZAS

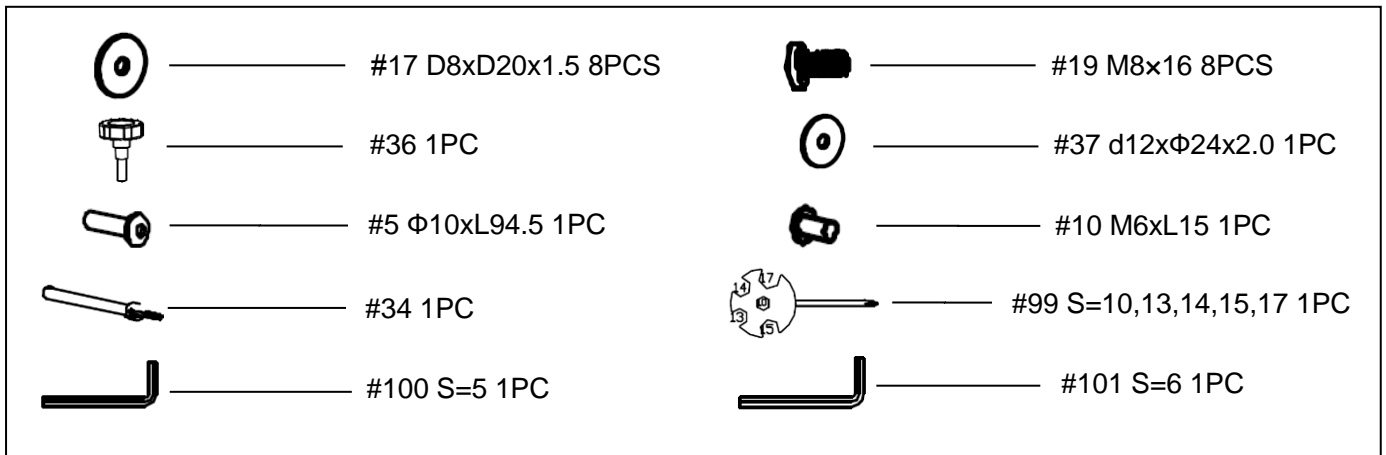
n.º	Descripción	Espec.	Cant.
1	Estructura Principal		1
2	Tubo Soporte de Computadora		1
3	Riel Deslizante		1
4	Tubo de Soporte Trasero		1
5	Perno	Φ10xL94.5	1
6	Barra de Remo		1
7	Placa del Computadora		1
8	Deflector Forma U		2
9	Tabla de Soporte		2
10	Perno	M6xL15	7
11	Embudo		1
12	Cojín de Límite		2
13	Tornillo	M6x10	4
14	Espaciador		3
15	Perno Hexagonal	M8x125	3
16	Tapa Cuadrada		1
17	Arandela Plana	D8xD20x1.5	35
18	Perno de Cadena Ajustable		2
19	Tornillo	M8x16	24
20	Mat U de Cadena Ajustable		2
21	Tuerca de Nailon	M6	9
22	Tornillo	M5x7	4
23	Espaciador de Rodillo		6
24	Cojinete		6
25	Rodillo		3
26	Tuerca de Nailon	M8	6
27	Pedal		2
28	Buje de Plastico		2
29	Cable de Extension		2
30	Asiento		1
31	Tapa Oval		2
32	Tuerca Hexagonal	M10	4
33	Almohadilla de Pie Ajustable		4
34	Perilla de Resorte		1
35	Tornillo	M4x5	8
36	Perilla		1
37	Arandela Plana	d12xΦ24x2.0	1
38	Tornillo	M8x70	1
39	Computadora		1
40	Cable de Sensor		2

n.º	Descripción	Espec.	Cant.
41	Tornillo	M5X10	6
42	Sifón de Bombeo		1
43	Tornillo	M5x10	2
44	Portabotella		1
45	Soporte de Dispositivo		1
46	Tornillo	M5x15	2
47	Soporte de Barra de Remo		1
48	Cubierta Protectora		1
49	Correa de Malla		1
50	Tablero		1
51	Placa Fijo		1
52	Tornillo	M8x15	4
53	Tornillo	ST4.2x16	4
54	Tablero de PC 3		1
55	Resorte de Voluta		1
56	Rueda de Voluta		1
57	Tablero de PC 2		1
58	Eje de Resorte de Voluta		1
59	Tornillo	M6x35	5
60	Tornillo	M8x25	1
61	Rueda de Correa		1
62	Cojinete		3
63	Cojinete		1
64	Espaciador		1
65	Placa Fijo		1
66	Algodón		1
67	Eje de Rodamiento		1
68	Clavija de Acero Inoxidable		1
69	Anillo de Sellado Pequeño	Pequeño	1
70	N/A		-
71	Anillo de Sellado	Medianas	1
72	Tapón del Tanque		1
73a/b	Cubierta de Tanque		1 pr.
74	Tornillo	M3x20	12
75	Arandela Plana	d3.5xΦ7x0.5	24
76	Tuerca de Nailon	M3	12
77	Impulsor		1
78	Anillo de Sellado	Grande	1
79	Cojín de Silicona		2
80	Tablero de Soporte		1

n.º	Descripción	Espec.	Cant.
81	Arandela		4
82	Almohadilla de Pie de Goma		1
83	Tapón Oblato		4
84	Perno	M8x38	2
85	Rodillo		2
86	Arandela Plana	d8xΦ16x1.5	2
87	Tuerca de Nailon	M8	2
88	Cubierta Protectora		1
89	Placa Fija		1
90	Perno Hexagonal	M6x55	2
91	Arandela de Eje		6

n.º	Descripción	Espec.	Cant.
92	Rueda Eje de Correa		2
93	Cojinete		6
94	Rodillo de Correa		3
95	Eje de Rueda de Correa		1
96	Perno Hexagonal	M6x15	2
97	Arandela de Resorte	D6	2
98	Arandela Plana	D6	2
99	Llave Inglesa	S=10,13,14,15,17	1
100	Llave Allen	S=5	1
101	Llave Allen	S=6	1

HARDWARE PACKAGE



Ordering Replacement Parts (U.S. and Canadian Customers only)

Please provide the following information in order for us to accurately identify the part(s) needed:

- ✓ The model number (found on cover of manual)
- ✓ The product name (found on cover of manual)
- ✓ The part number found on the “EXPLODED DIAGRAM” and “PARTS LIST” (found near the front of the manual)

Please contact us at support@sunnyhealthfitness.com or 1- 877 – 90SUNNY(877-907-8669).

Pedido de piezas de repuesto (solo para clientes de EE. UU. y Canadá)

Proporcione la siguiente información para que podamos identificar con precisión las piezas necesarias:

- ✓ El número de modelo (se encuentra en la portada del manual).
- ✓ El nombre del producto (se encuentra en la portada del manual).
- ✓ El número de pieza que se encuentra en el “ESQUEMA DE LAS PIEZAS” y en la “LISTA DE PIEZAS” (se encuentra al principio del manual).

Contáctenos en support@sunnyhealthfitness.com o 1- 877 - 90SUNNY (877-907-8669).

ASSEMBLY INSTRUCTIONS

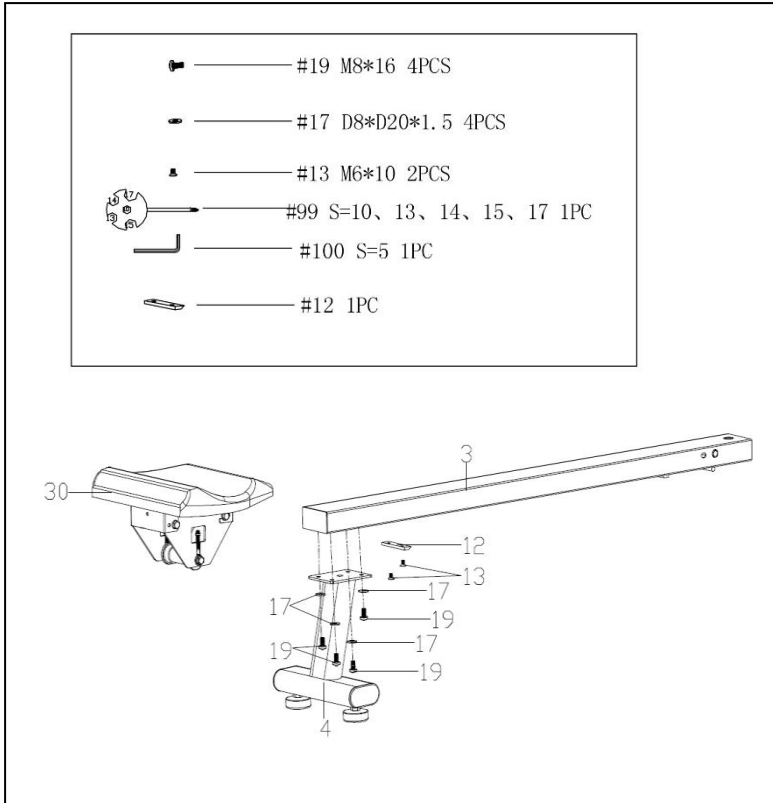
We value your experience using Sunny Health and Fitness products. For assistance with parts or troubleshooting, please contact us at support@sunnyhealthfitness.com or 1-877-90SUNNY (877-907-8669).

STEP 1:

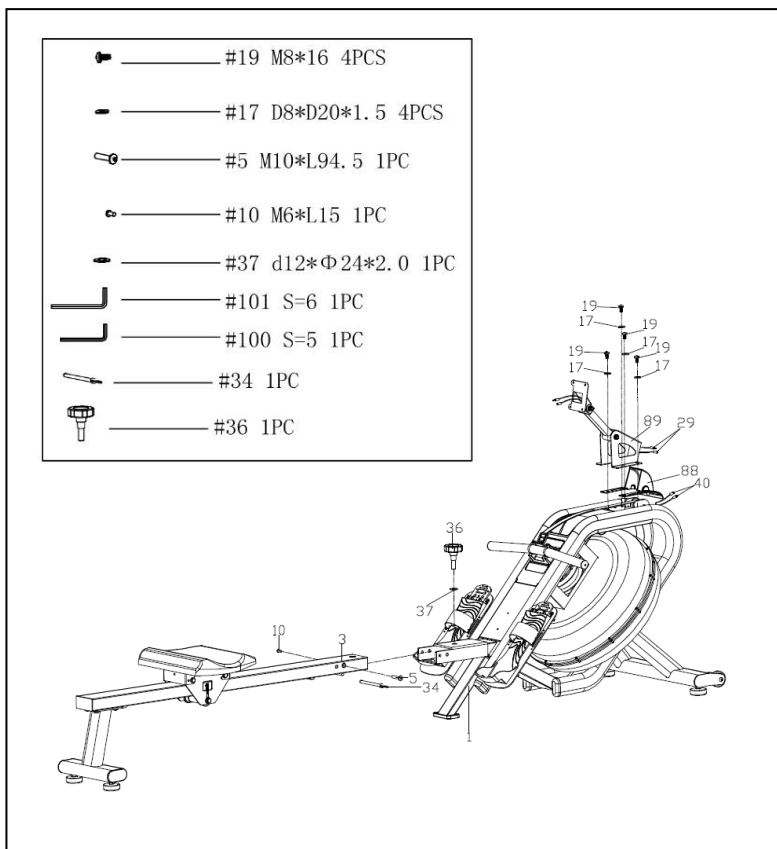
Remove the pre-assembled **Limit Cushion (No. 12)** and 2 **Screws (No. 13)** from the **Slide Rail (No. 3)** using **Spanner (No. 99)**.

Slide the **Seat (No. 30)** to the **Slide Rail (No. 3)**, make sure **Seat (No. 30)** through the position of **Limit Cushion (No. 12)**. Then attach the **Limit Cushion (No. 12)** to the **Slide Rail (No. 3)** with 2 **Screws (No. 13)** that were just removed by using **Spanner (No. 99)**.

Attach the **Rear Support Tube (No. 4)** to the **Slide Rail (No. 3)** with 4 **Screws (No. 19)** and 4 **Flat Washers (No. 17)** using **Allen Wrench (No. 100)**.



We value your experience using Sunny Health and Fitness products. For assistance with parts or troubleshooting, please contact us at support@sunnyhealthfitness.com or 1-877-90SUNNY (877-907-8669).



STEP 2:

2-1: Attach the **Slide Rail (No. 3)** to the **Main Frame (No. 1)** with the 2 **Bolts (No. 5 & 10)** by using **Allen Wrench (No. 101 & 100)**. Then tighten with **Knob (No. 36)** and **Flat Washer (No. 37)**, and finally insert **Spring Knob (No. 34)**.

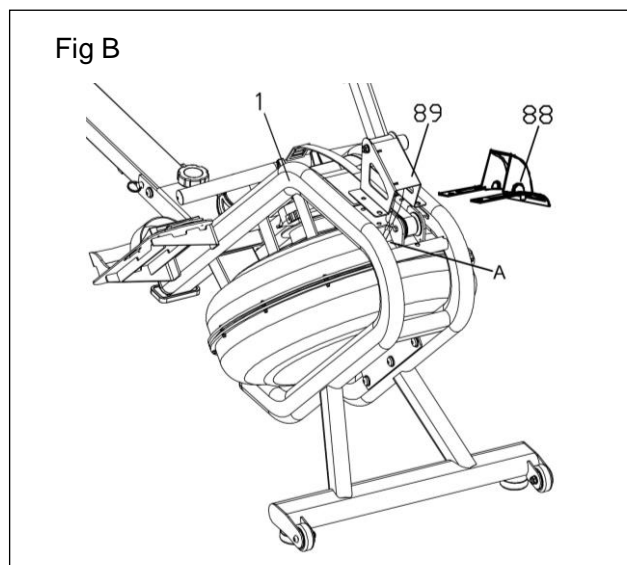
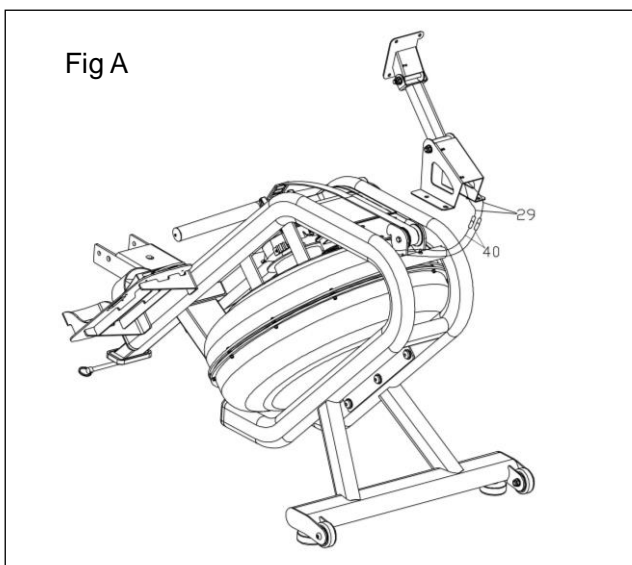
2-2: Connect the 2 **Sensor Wires (No. 40)** with 2 **Extension Wire (No. 29)**.

2-3: After connecting the 2 **Sensor Wires (No. 40)** with 2 **Extension Wire (No. 29)**. The wires will be exposed. (Fig A)

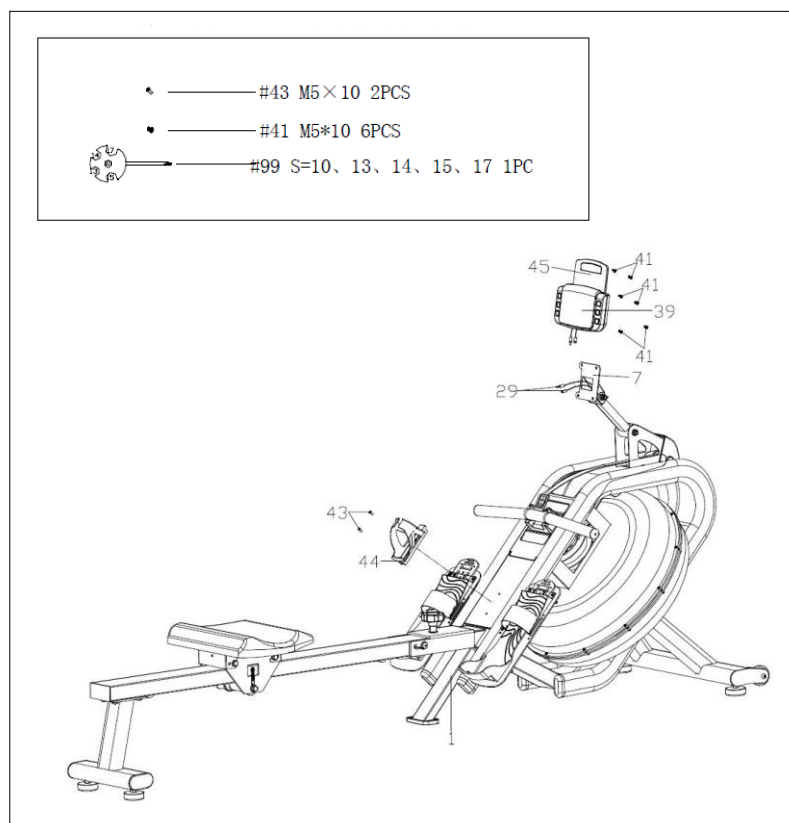
2-4: Move all wires to the side of the plate A. (Fig B)

2-5: Attach the **Protective Cover (No. 88)** and **Fixed Plate (No. 89)** to the **Main Frame (No. 1)** with 4 **Screws (No. 19)** and 4 **Flat Washers (No. 17)** using **Allen Wrench (No. 100)**.

Note: Do not cut any wires when attaching the **Protective Cover (No. 88)** and **Fixed Plate (No. 89)** to the **Main Frame (No. 1)**.



We value your experience using Sunny Health and Fitness products. For assistance with parts or troubleshooting, please contact us at support@sunnyhealthfitness.com or 1-877-90SUNNY (877-907-8669).



STEP 3:

3-1: Remove the pre-assembled 2 **Screws (No. 43)** from the **Main Frame (No. 1)** using **Spanner (No. 99)**. Attach the **Bottle Holder (No. 44)** to the **Main Frame (No. 1)** with 2 **Screws (No. 43)** that were just removed by using **Spanner (No. 99)**.

3-2: Remove the pre-assembled 6 **Screws (No. 41)** from the back **Meter (No. 39)** using **Spanner (No. 99)**.

3-3: Insert the **Tablet Holder (No. 45)** to the **Meter (No. 39)** with 2 **Screws (No. 41)** that were just removed by using **Spanner (No. 99)**.

3-4: Connect 2 **Extension Wires (No. 29)** with wires of **Meter (No. 39)**. Then attach the **Meter (No. 39)** to the **Meter Plate (No. 7)** with 4 **Screws (No. 41)** that were just removed by using **Spanner (No. 99)**.

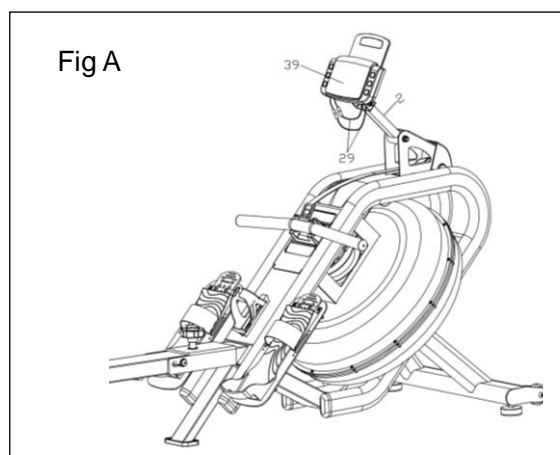


Fig A

3-5: After attaching the **Meter (No. 39)** to the **Meter Support Tube (No. 2)**. The 2 **Extension Wires (No. 29)** and wires of **Meter (No. 39)** will be exposed. (Fig A)

3-6: Push all wires into the upper **Meter Support Tube (No. 2)**. The wires will be exposed out of hole A from the bottom **Meter Support Tube (No. 2)**. Push all wires up into the **Meter Support Tube (No. 2)**. (Fig B)

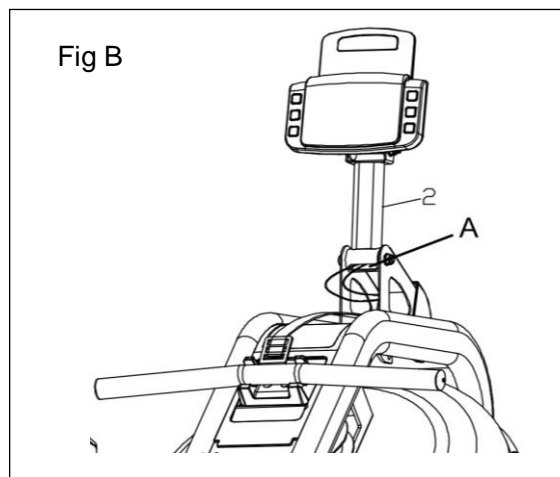


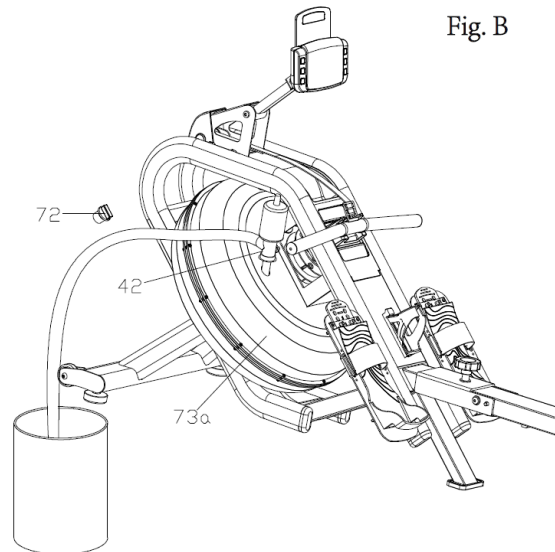
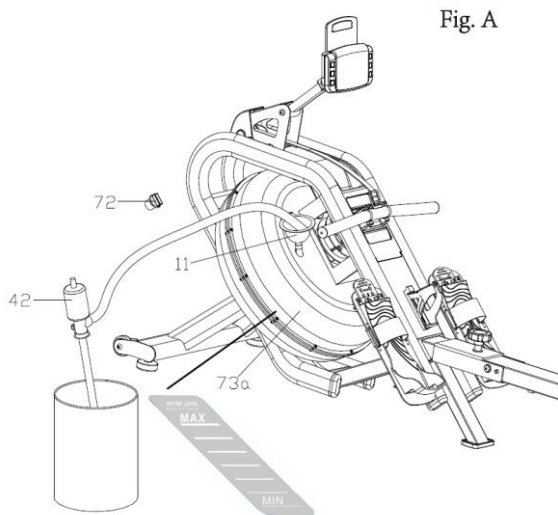
Fig B

Note: Put all wires to the meter tube before attaching the **Meter (No. 39)** to **Main Frame (No. 1)**.

The assembly is complete!

HOW TO FILL AND EMPTY THE TANK

1. Remove the **Plug (No. 72)** from the **Upper Tank Cover (No. 73a)**.
2. To fill the tank with water, refer to Fig. A. Insert the **Funnel (No. 11)** into the tank, then use a cup or a bucket and **Pumping Siphon (No. 42)** to fill the tank. Use the water level gauge on the side of the tank to measure desired water level in the tank.
3. To empty the tank, refer to Fig. B. Place a bucket next to the rower and use the **Pumping Siphon (No. 42)** to pump out the water from the tank into the bucket.
4. Insert the **Plug (No. 72)** back into the **Upper Tank Cover (No. 73a)**. Wipe off excess water around the area.



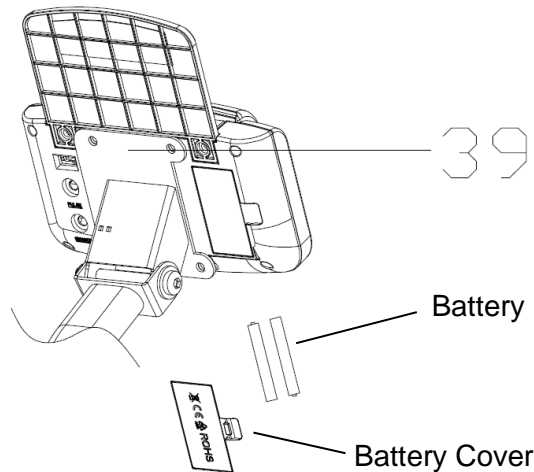
NOTE:

- Fill the tank only with tap water. Add 1 water purification tablet (1 packet is included). Never use pool chlorine or chlorine bleach. This will damage the tank and void the warranty.
- Add a water purification tablet every 6 months or as needed. If water remains cloudy, replace the water in the tank.
- Do not consume the tank water. Dispose the water after pumping it out from the tank.

WATER LEVEL

- The water level gauge is on the side of the tank. There is a max level. Never fill over this limit. Filling the tank over this limit will void the warranty.
- The resistance depends on the water level in the tank. The min level is the lowest resistance. The max level is the highest resistance.

BATTERY INSTALLATION & REPLACEMENT



BATTERY INSTALLATION:

1. Take out 2 AA batteries from meter box.
2. Press the buckle of battery cover on the back of the **Meter (No. 39)**, then remove battery cover.
3. Install 2 AA batteries into the battery case on the back of the **Meter (No. 39)**. Pay attention to the battery + and – poles before installing.
4. Press the buckle of battery cover, then put the battery cover back to the back of the **Meter (No. 39)**.
5. The installation is complete!

BATTERY REPLACEMENT:

1. Press the buckle of battery cover on the back of the **Meter (No. 39)**, then remove battery cover.
2. Remove the 2 old AA batteries in the battery case and install 2 new AA batteries into the battery case on the back of the **Meter (No. 39)**. Pay attention to the battery + and – poles before installing.
3. Press the buckle of battery cover, then put the battery cover back to the back of the **Meter (No. 39)**.
4. The replacement is complete!

NOTE: Always change both batteries at the same time. Do not mix battery types and do not mix old and new batteries. Dispose batteries according to your state and regional guidelines.

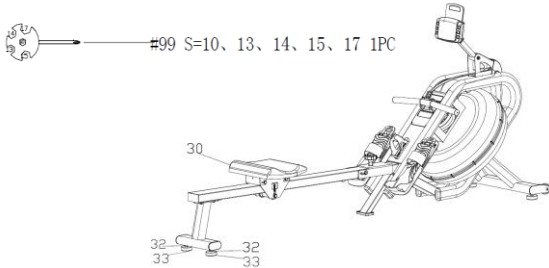
ADJUSTMENTS GUIDE

ADJUSTING THE BALANCE

Adjust the **Hex Nuts (No. 32)** on the **Adjustable Foot Pads (No. 33)** of the rower using **Spanner (No. 99)** if the rower is unbalanced during use.

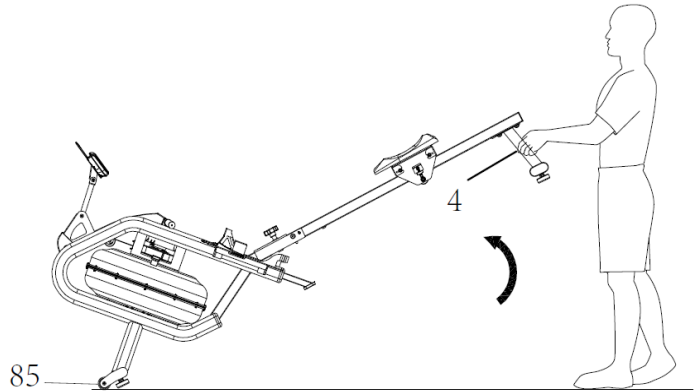
CAUTION!

Moving parts, such as the **Seat (No. 30)**, can crush and cut. Keep hands clear of the **Slide Rail (No. 3)** during use!



MOVING THE ROWER

To move the rower, lift up the **Rear Support Tube (No. 4)** until the **Rollers (No. 85)** touch the ground. With the **Rollers (No. 85)** on the ground, you can transport the rower to the desired location with ease.

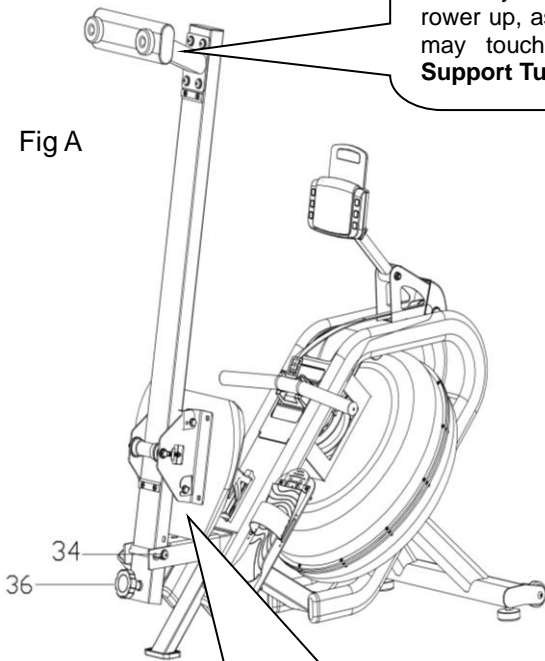


STORAGE

CAUTION!

Move with caution when you raise the rower up, as your head may touch the **Rear Support Tube (No. 4)**.

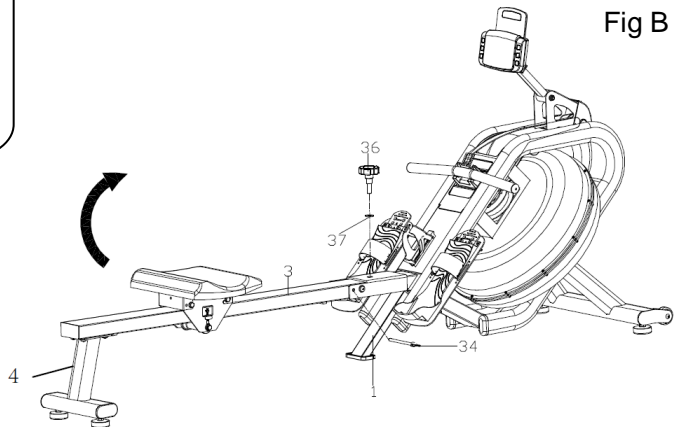
Fig A



CAUTION!

Move the **Seat (No. 30)** to the front of **Slide Rail (No. 3)** first or it will glide down when raising the rower up!

Fig B



When not in use, you can save space by storing the rower vertically. Unscrew the **Knob (No. 36)** and **Flat Washer (No. 37)**, and remove the **Spring Knob (No. 34)**. (Fig B) Lower the **Seat (No. 30)** all the way down. Then fold the **Slide Rail (No. 3)** up.

CAUTION: The **Seat (No. 30)** will slide down when folding the **Slide Rail (No. 3)**.

Insert **Knob (No. 36)** and **Flat Washer (No. 37)** into the holes in the back of the **Slide Rail (No. 3)** and tighten. Then insert **Spring Knob (No. 34)**. (Fig A)

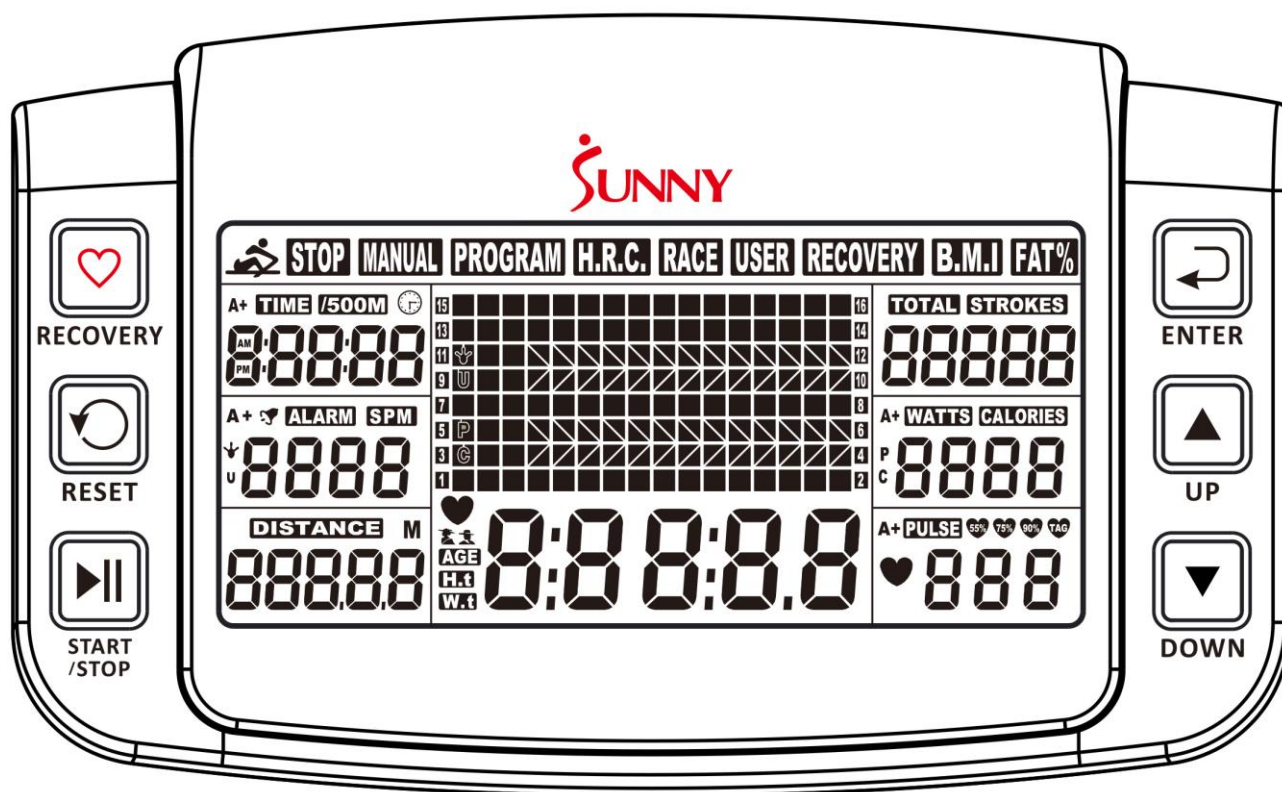
If not using the rower for more than a month, empty the tank before storing.



PEDAL ADJUSTMENT

The pedal strap is adjustable and can be personalized to fit the user's foot size.

EXERCISE METER



Our computerized exercise meter on the Sunny Water Rowing Machine allows the user to tailor a personalized workout by monitoring their progress. During a workout, the exercise meter will alternately and repeatedly display the Time, Time/500M, SPM, Distance, Strokes, Total Strokes, Calories Burned, and Pulse.

BUTTONS

UP ▲/DOWN ▼

Press these two buttons to scroll through the available selection.

To adjust the function values upward and downward.

ENTER:

To confirm your selection.

During training, press this button to scan each display function.

START /STOP:

To start and stop your selected workout program.

RESET:

To return the meter back to the main menu.

Press and hold for 3 seconds to reset values.

RECOVERY:

To activate the RECOVERY PROGRAM that will automatically evaluate your fitness immediately after workout.

FUNCTIONS

TIME: Set target time (1 min ~ 99 min) by pressing UP and DOWN buttons, in 1 minute increments.

TIME/500M: Your average 500M time is automatically displayed.

SPM: Strokes per minute.

DISTANCE: Preset target distance (100 ~ 99900 meters) by pressing UP and DOWN buttons, in 100 meters increments.

STROKES: Set target stroke (10 ~ 9990 strokes) by pressing UP and DOWN buttons, in 10 strokes increments.

TOTAL STROKES: Accumulates total strokes from 0 to 9999.

CALORIES: Set target calories (10 ~ 9990 Cal) by pressing UP or DOWN buttons, in 10 Cal increments.

HRC/PULSE: Displays heart rate.

In Manual Mode, set target pulse by pressing UP and DOWN buttons (30 ~ 240), in 1 BPM increments. HRC will display at the top of the meter. The meter will display your heart rate during training. When it reaches the target value, PULSE will flash, and the meter will beep until it is changed to another mode or you remove the chest strap. Pulse measurement function only works with 5.3 KHz chest strap heart rate monitors.

CALENDAR: The meter will display year, month, and day when meter is in sleep mode.

TEMPERATURE: The meter will display current room temperature when the meter is in sleep mode.

CLOCK: The meter will display current time when the meter is in sleep mode.

Note: Chest Strap Heart Rate Monitor is not included.

OPERATION

1. Install 2 PCS AA batteries (included) and meter will beep for 2 seconds (Fig.1). Then, the meter enters into the CLOCK & CALENDAR MODE (Fig.2).

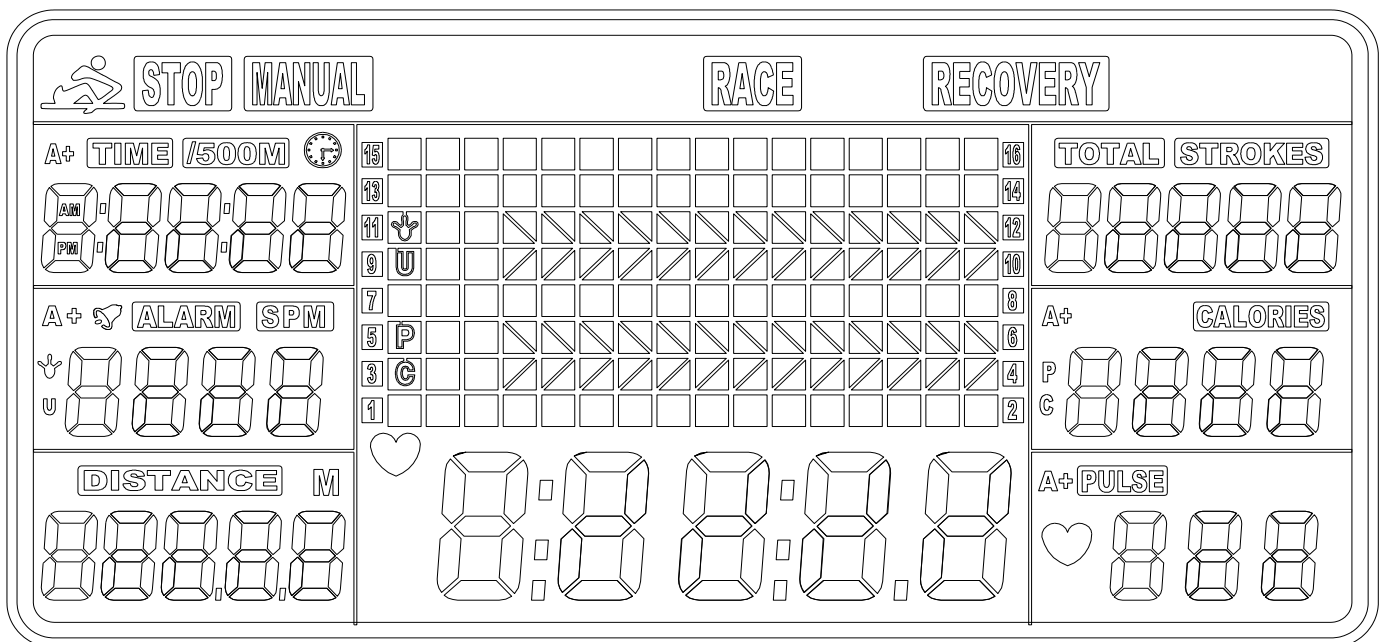


Fig 1

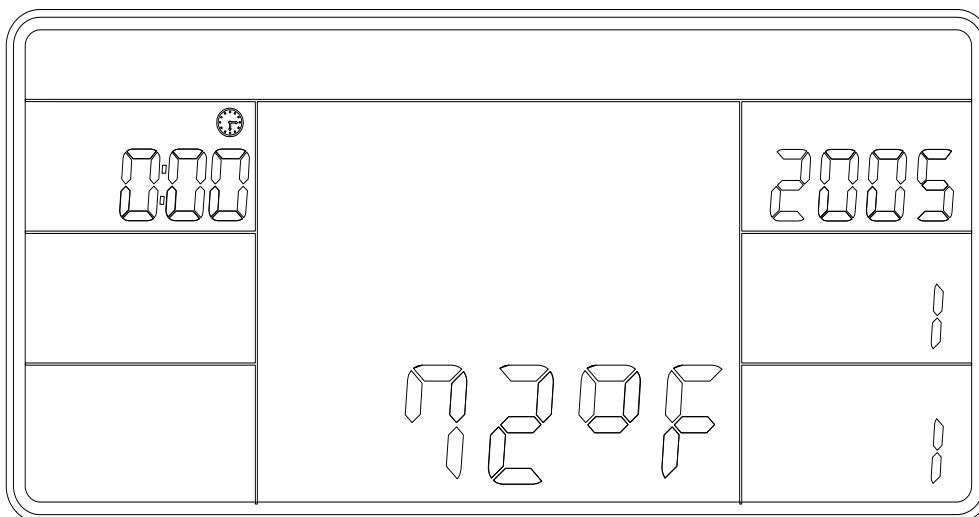


Fig 2

2. The CLOCK will flash. Press UP button to set the hour. Press ENTER to confirm. Press UP to set the minutes. Press ENTER to confirm. Continue press UP button to set the YEAR (in the STROKES window); MONTH (in the CALORIES window); DAY (in the PULSE window). Press ENTER to confirm when it is set. After you confirm it, the ALARM will beep. Press ENTER to skip setting up the alarm. To set up the alarm, press UP button to turn on ALARM. An arrow will appear next to ALARM. Press ENTER. CLOCK window will flash. Press UP or DOWN buttons to set the alarm time. Press ENTER to confirm. Meter will go into the SPORT screen (Fig.3).

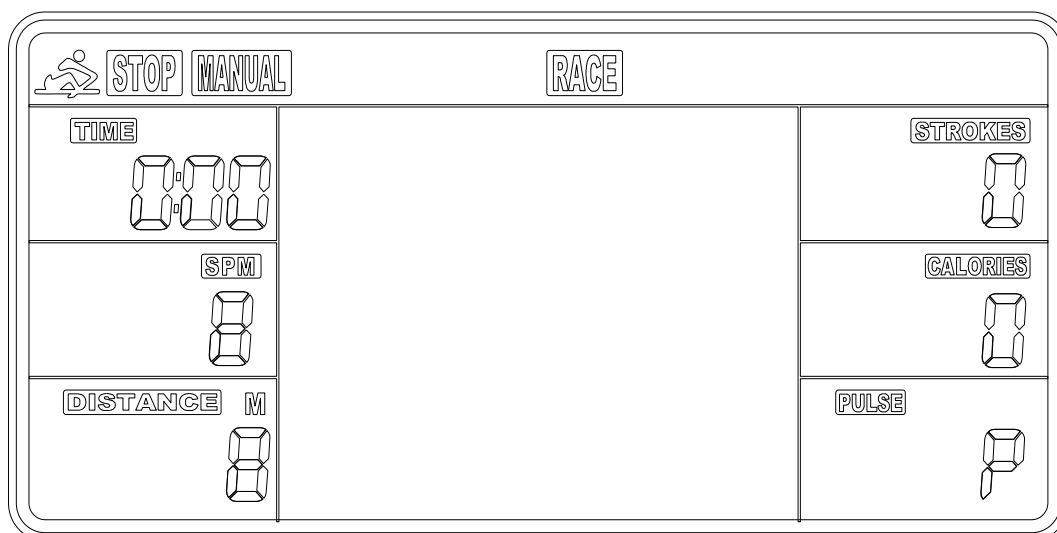


Fig 3

3. When you enter the SPORT screen, MANUAL and RACE will flash. Press UP or DOWN to select MANUAL or RACE. Press ENTER to confirm your selection.
 - (1) **MANUAL (Fig.4):** There are 2 options in MANUAL mode.
 - a. The meter can be set to countdown. When you select MANUAL, the value of TIME will start to flash. Press UP to set the value of TIME to countdown. Press ENTER to confirm it. Press ENTER to skip setting up the time COUNTDOWN and go to the next function. You can set

the values for DISTANCE, STROKES, CALORIES, or PULSE. (Note: You can only set the value for one function to countdown. For example, if you have set the target value for TIME, then DISTANCE can't be set.)

Press START button to start and the STOP icon will disappear. When the countdown reaches zero or you press STOP button, the meter will stop and display the average value.

b. The meter counts the value of your workout. Press START to start.

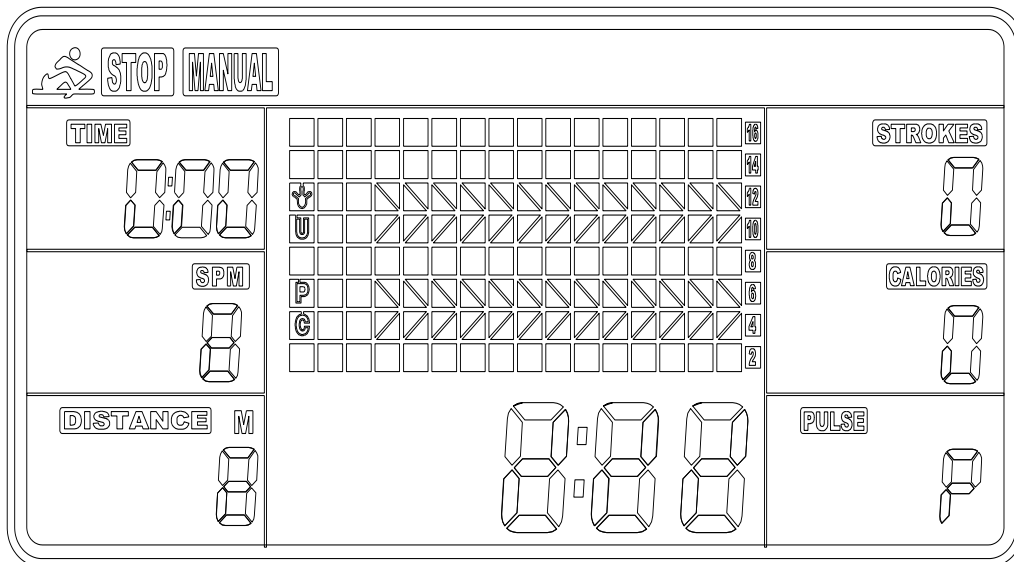


Fig.4

(2) RACE (Fig.5):

Select RACE mode and L9 will flash. The TIME/500M will display 4:00. Then, press UP or DOWN to select L1 ~ L15. Press ENTER to confirm. Then, you can set the distance of the race (500 ~ 10000M) while the value of DISTANCE is blinking. Press ENTER, and the picture of the race will display on the screen.

The TIME/500M of the programs are as follows :

L1	L2	L3	L4	L5	L6	L7	L8	L9	L10	L11	L12	L13	L14	L15
8:00	7:30	7:00	6:30	6:00	5:30	5:00	4:30	4:00	3:30	3:00	2:30	2:00	1:30	1:00

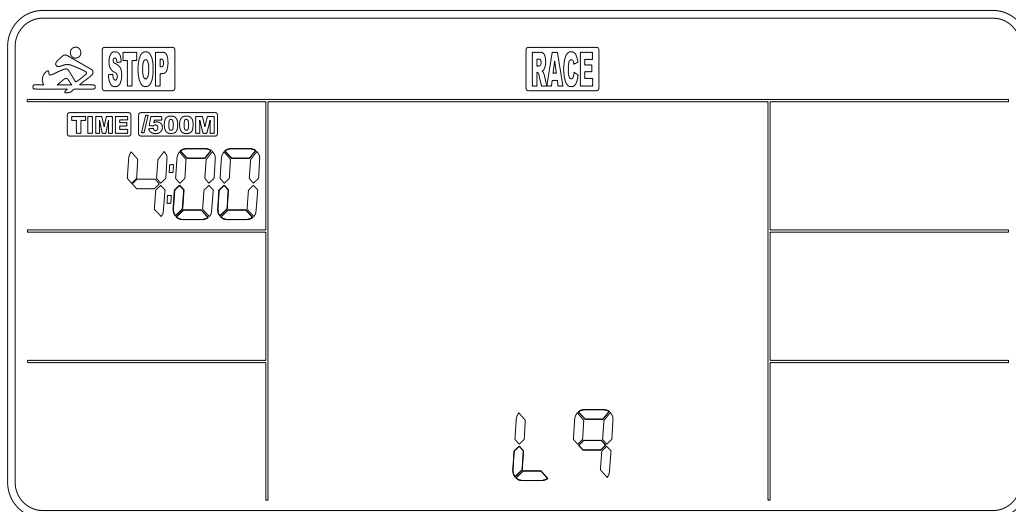


Fig.5

- a. Press START button to start and STOP icon will disappear. USER and PC will display in the matrix (Fig.6). The meter will stop when either the user or meter has reached the race distance that was set. Then, the matrix displays “PC WIN” or “USER WIN” (Fig.7).

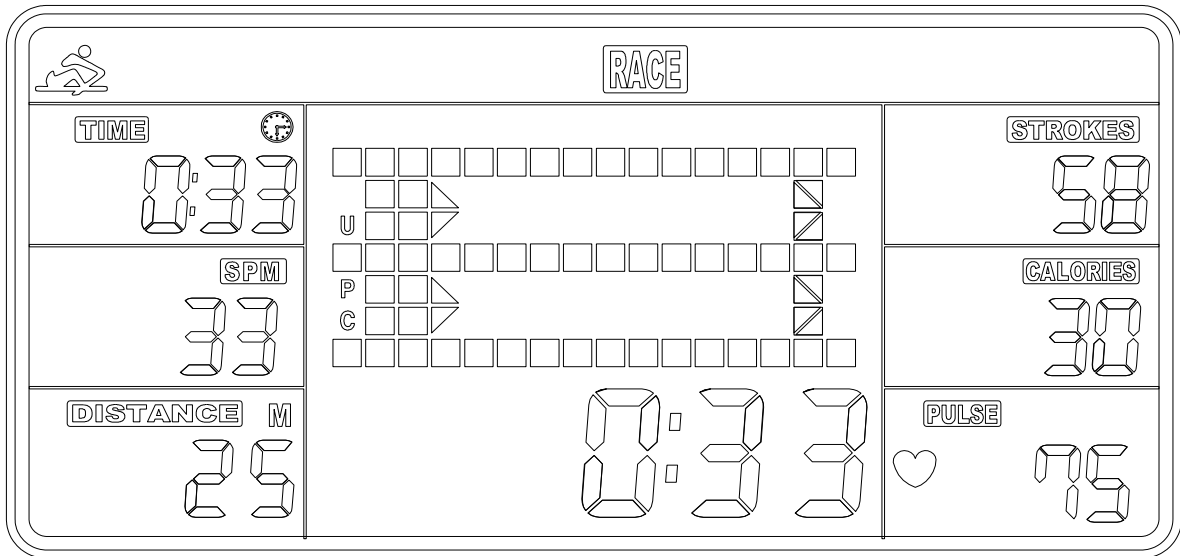


Fig 6

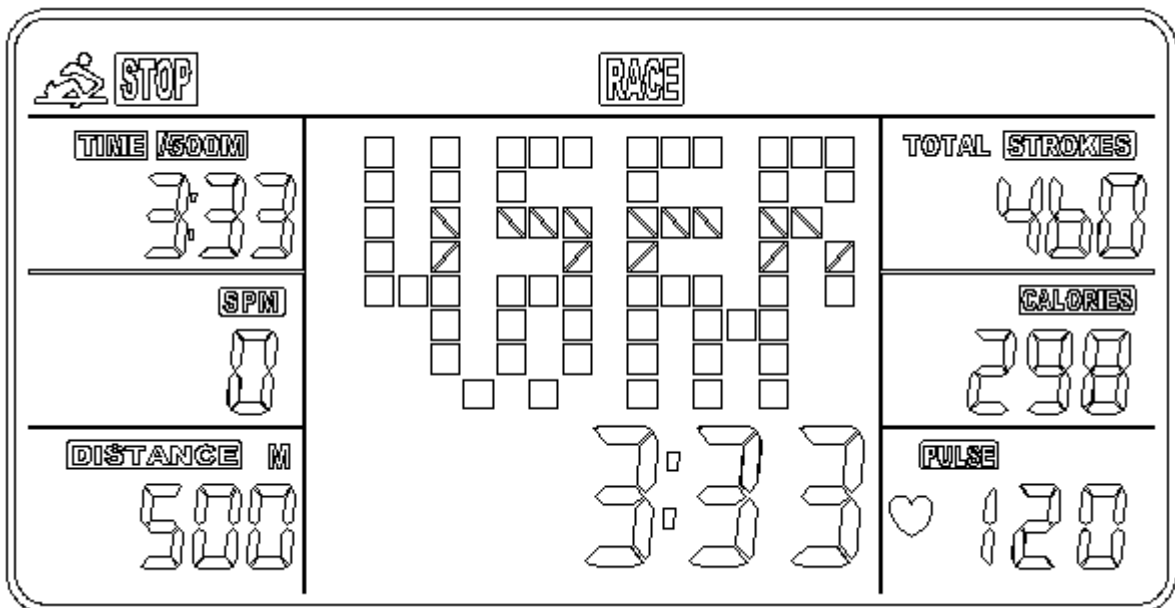


Fig 7

- b. When the race is over, you can press START to start a race once again. Press RESET to leave the RACE screen.

(3) RECOVERY:

This meter works with a 5.3 KHz chest strap heart rate monitor (not included). After exercising for a period of time, keep wearing the chest strap monitor and press RECOVERY button. All function displays will stop except “TIME” starts counting down from 00:60 to 00:00.

Screen will display your heart rate recovery status with the F1, F2...to F6. F1 is outstanding. F6 is poor. User may keep exercising to improve the heart rate recovery status. (Press the RECOVERY button again to return the main display.)

ALARM

Alarm only works while the meter is in sleep mode. Alarm will not sound during exercise. Press and hold RESET to go to clock screen to set up ALARM.

SLEEP MODE

The meter will go into sleep mode after about 4 minutes of inactivity.

BATTERY

This meter uses 2 AA batteries, which are included. Changing the batteries will reset all values. If there is a problem with the display, try to change the batteries first. When changing the batteries, change both. Do not mix battery types. Do not mix old and new batteries. Dispose of old batteries according to your regional guidelines.

INSTRUCCIONES DE MONTAJE

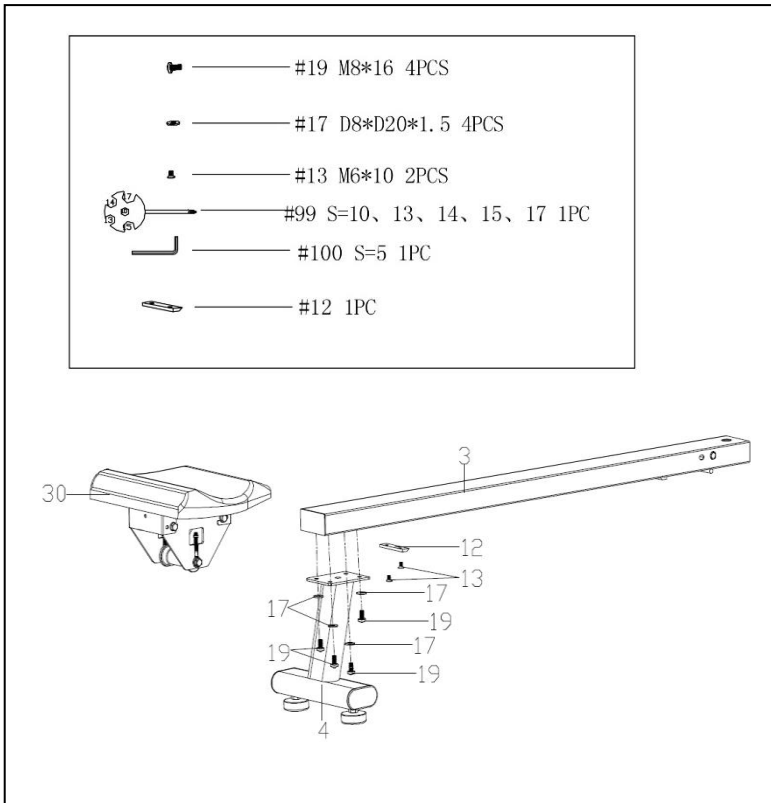
Valoramos su experiencia con los productos de Sunny Health and Fitness. Para obtener ayuda con las piezas o resolver algún problema, escríbanos a la dirección de correo support@sunnyhealthfitness.com, o llámenos al 1-877-90SUNNY (877-907-8669).

PASO 1:

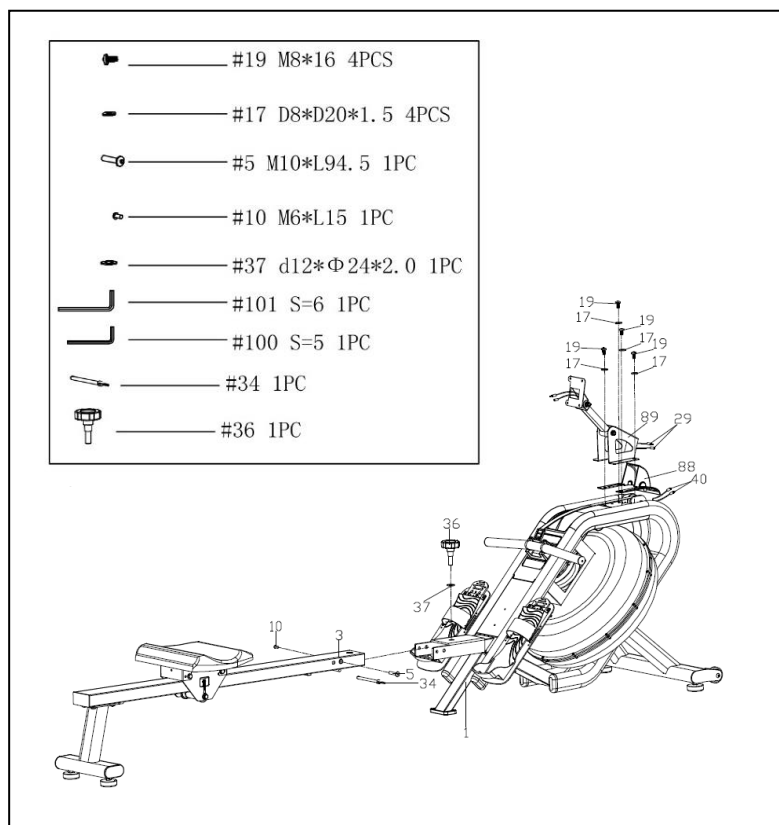
Retire el **Cojín de Límite (n.º 12)** premontado y los 2 **Tornillos (n.º 13)** del **Riel Deslizante (n.º 3)** con una **Llave Inglesa (n.º 99)**.

Deslice el **Asiento (n.º 30)** al **Riel Deslizante (n.º 3)**, asegúrese de que el **Asiento (n.º 30)** pase por la posición del **Cojín de Límite (n.º 12)**. Luego, fije el **Cojín de Límite (n.º 12)** al **Riel Deslizante (n.º 3)** con 2 **Tornillos (n.º 13)** que acaba de quitar con la **Llave Inglesa (n.º 99)**.

Conecte el **Tubo de Soporte Trasero (n.º 4)** al **Riel Deslizante (n.º 3)** con 4 **Tornillos (n.º 19)** y 4 **Arandelas Planas (n.º 17)** usando una **Llave Allen (n.º 100)**.



Valoramos su experiencia con los productos de Sunny Health and Fitness. Para obtener ayuda con las piezas o resolver algún problema, escríbanos a la dirección de correo support@sunnyhealthfitness.com, o llámenos al 1-877-90SUNNY (877-907-8669).



PASO 2:

2-1: Fije el **Riel Deslizante (n.º 3)** al **Estructura Principal (n.º 1)** con los 2 **Pernos (n.º 5 y 10)** utilizando una **Llave Allen (n.º 101 y 100)**. Luego apriete con la **Perilla (n.º 36)** y la **Arandela Plana (n.º 37)**, y finalmente inserte la **Perilla de Resorte (n.º 34)**.

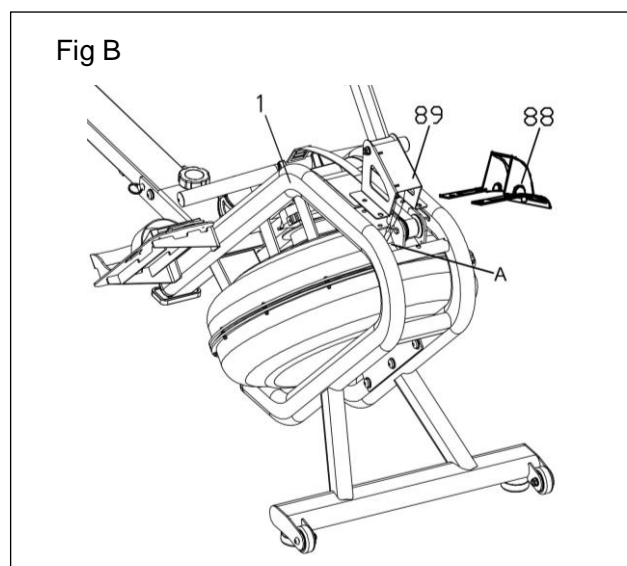
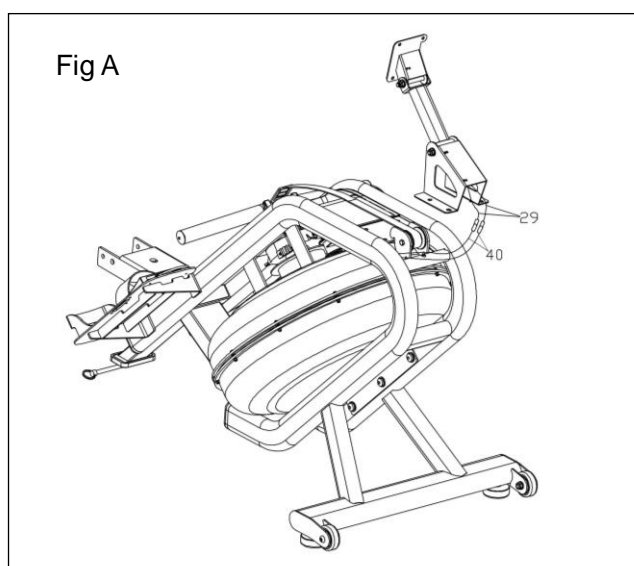
2-2: Conecte los 2 **Cables de Sensor (n.º 40)** con 2 **Cables de Extensión (n.º 29)**.

2-3: Después de conectar los 2 **Cables de Sensor (n.º 40)** con 2 **Cables de Extensión (n.º 29)**. Los cables quedarán expuestos. (Figura A)

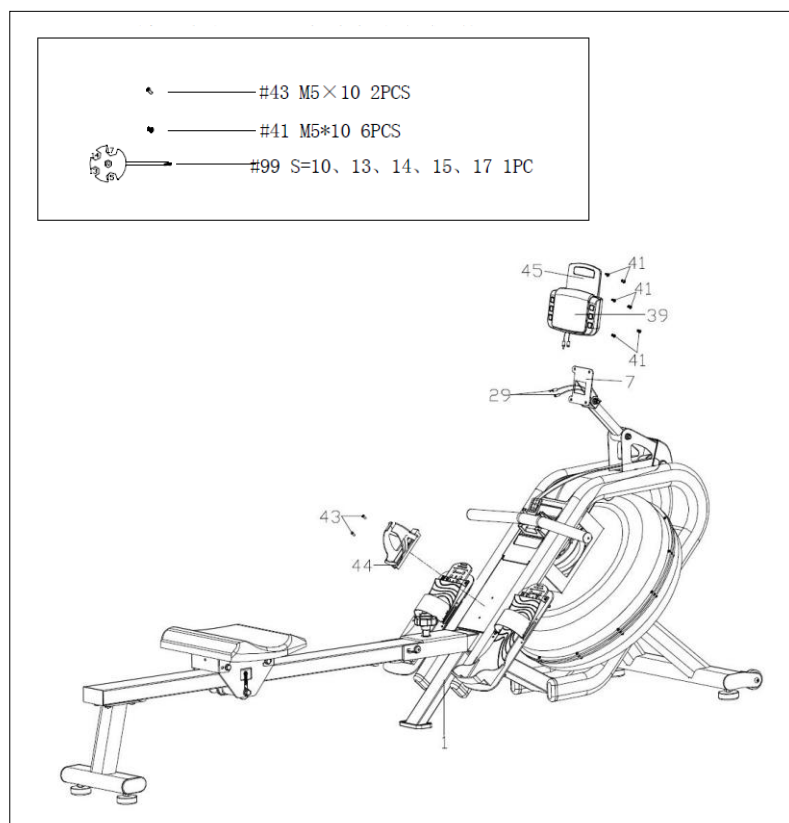
2-4: Mueva todos los cables al lado de la placa A. (Fig B)

2-5: Fije la **Cubierta Protectora (n.º 88)** y la **Placa Fija (n.º 89)** al **Estructura Principal (n.º 1)** con 4 **Tornillos (n.º 19)** y 4 **Arandelas Planas (n.º 17)** utilizando una **Llave Allen (n.º 100)**.

Nota: No corte ningún cable cuando coloque la **Cubierta Protectora (n.º 88)** y la **Placa Fija (n.º 89)** al **Estructura Principal (n.º 1)**.



Valoramos su experiencia con los productos de Sunny Health and Fitness. Para obtener ayuda con las piezas o resolver algún problema, escríbanos a la dirección de correo support@sunnyhealthfitness.com, o llámenos al 1-877-90SUNNY (877-907-8669).



PASO 3:

3-1: Retire los 2 **Tornillos (n.º 43)** premontados del **Estructura Principal (n.º 1)** con la **Llave Inglesa (n.º 99)**. Fije el **Portabotella (n.º 44)** al **Estructura Principal (n.º 1)** con 2 **Tornillos (n.º 43)** que acaba de quitar con la **Llave Inglesa (n.º 99)**.

3-2: Retire los 6 **Tornillos (n.º 41)** premontados de la **Computadora (n.º 39)** con la **Llave Inglesa (n.º 99)**.

3-3: Inserte el **Soporte de Dispositivo (n.º 45)** en el **Computadora (n.º 39)** con 2 **Tornillos (n.º 41)** que acaba de quitar con la **Llave Inglesa (n.º 99)**.

3-4: Conecte 2 **Cables de Extensión (n.º 29)** con los cables del **Computadora (n.º 39)**. Luego, fije el **Computadora (n.º 39)** a la **Placa del Computadora (n.º 7)** con 4 **Tornillos (n.º 41)** que acaba de quitar con la **Llave Inglesa (n.º 99)**.

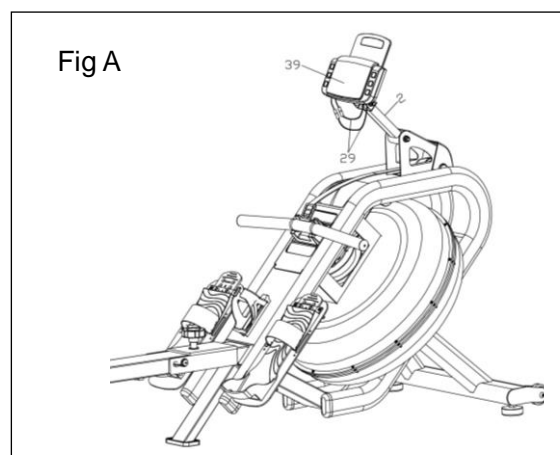


Fig A

3-5: Después de conectar el **Computadora (n.º 39)** al **Tubo de Soporte de la Computadora (n.º 2)**. Los 2 **Cables de Extensión (n.º 29)** y los cables del **Computadora (n.º 39)** quedarán expuestos. (Figura A)

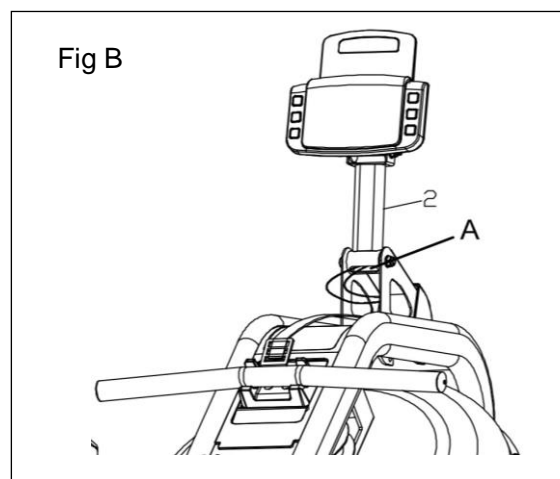


Fig B

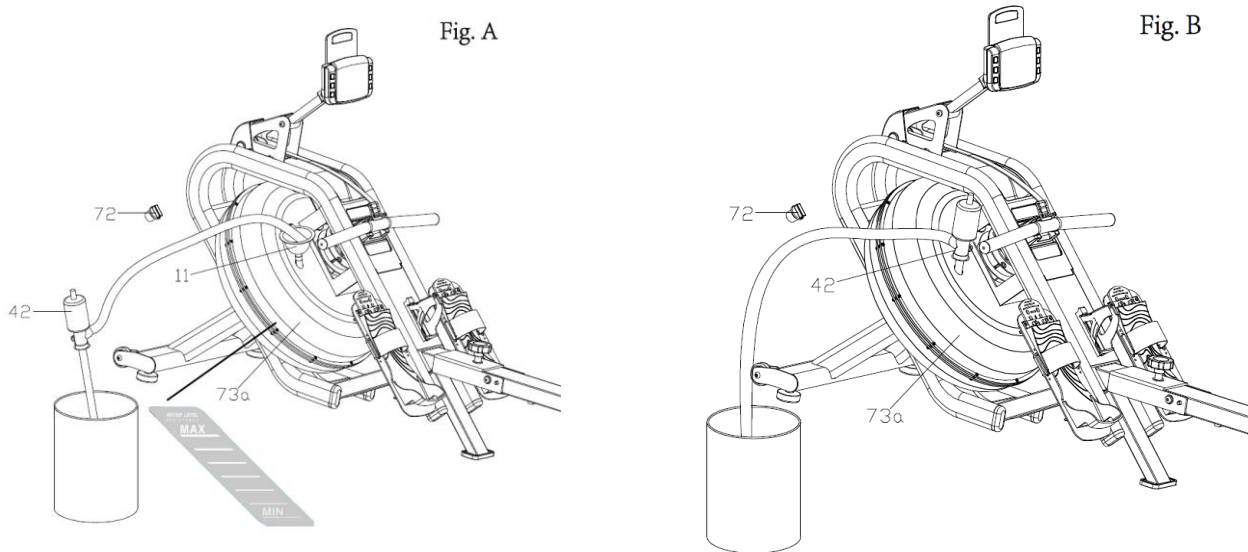
3-6: Introduzca todos los cables en el **Tubo Soporte de Computadora (n.º 2)**. Los cables quedarán expuestos por el orificio A del **Tubo Soporte de Computadora (n.º 2)**. Empuje todos los cables hacia arriba en el **Tubo Soporte de Computadora (n.º 2)**. (Figura B)

Nota: Coloque todos los cables en el tubo de la computadora antes de conectar el **Computadora (n.º 39)** al **Estructura Principal (n.º 1)**.

¡El armado está completo!

CÓMO LLENAR Y VACIAR EL TANQUE

1. Retire el **Tapón del Tanque (n.º 72)** de la **Cubierta del Tanque (n.º 73a)**.
2. Para llenar el tanque con agua, consulte la Fig. A. Inserte el **Embudo (n.º 11)** en el tanque, luego use una taza o la **Sifón de Bombeo (n.º 42)** y un balde para llenar el tanque. Utilice el indicador de nivel de agua en el lado del tanque para medir el nivel de agua deseado.
3. Para vaciar el tanque, consulte la Fig. B. Coloque un balde al lado de la remadora, y utilice la **Sifón de Bombeo (n.º 42)** para bombear el agua del tanque al balde.
4. Inserte el **Tapón del Tanque (n.º 72)** en la **Cubierta del Tanque (n.º 73a)**. Limpie el exceso de agua del marco.



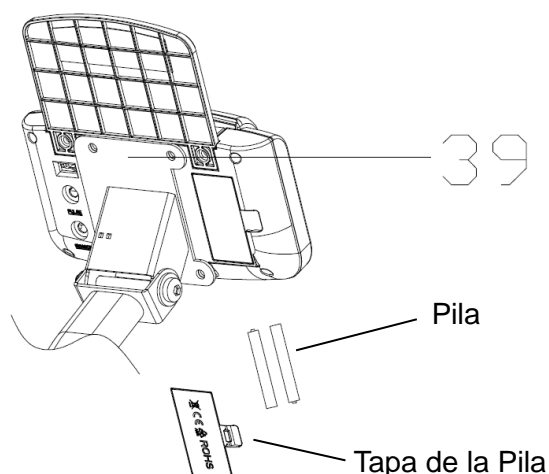
NOTA:

- Llene el tanque solo con agua entubada. Agregue 1 tableta de purificación de agua (se incluye 1 paquete). Nunca use cloro de piscina o lejía de cloro. Esto dañará el tanque y anulará la garantía.
- Agregue una tableta de purificación de agua cada 6 meses o según sea necesario. Si el agua permanece turbia, reemplace el agua del tanque.
- El agua del tanque no es adecuada para consumir. Deseche el agua después de sacarla del tanque.

NIVEL DEL AGUA

- El indicador de nivel de agua está en el lado del tanque. Hay un nivel máximo. Nunca llene por encima de este límite. Llenar el tanque por encima de este límite anulará la garantía.
- La resistencia depende del nivel de agua en el tanque. El nivel MIN es la resistencia más baja. El nivel MAX es la resistencia más alta.

INSTALACIÓN Y REEMPLAZO DE LA PILA



INSTALACIÓN DE LA PILA:

1. Saque 2 pilas AA de la caja del **Computadora (n.º 39)**.
2. Presione la hebilla de la tapa de la pila en la parte posterior del **Computadora (n.º 39)**, luego retire la tapa de la pila.
3. Instale 2 pilas AA en la caja de la pila en la parte posterior del **Computadora (n.º 39)**. Preste atención a los polos + y - de la pila antes de instalar.
4. Presione la hebilla de la cubierta de la pila, luego coloque la cubierta de la pila en la parte posterior del **Computadora (n.º 39)**.
5. ¡La instalación está completa!

REEMPLAZO DE LA PILA:

1. Presione la hebilla de la tapa de la pila en la parte posterior del **Computadora (n.º 39)**, luego retire la tapa de la pila.
2. Retire las 2 pilas AA viejas en la caja de la pila e instale 2 pilas AA nuevas en la caja de la pila en la parte posterior del **Computadora (n.º 39)**. Preste atención a los polos + y - de la pila antes de instalar.
3. Presione la hebilla de la tapa de la pila, luego vuelva a colocar la tapa de la pila en la parte posterior del **Computadora (n.º 39)**.
4. ¡El reemplazo está completo!

NOTA: Siempre cambie ambas pilas al mismo tiempo. No mezcle tipos de pilas y no mezcle pilas viejas y nuevas. Deseche las pilas de acuerdo con las regulaciones estatales y regionales.

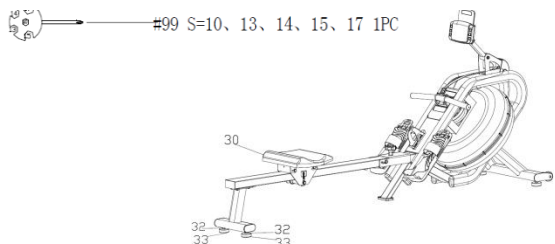
GUÍA DE AJUSTES

AJUSTE DEL BALANCE

Ajuste las **Tuercas Hexagonales (n.º 32)** de las **Almohadillas de Pie Ajustables (n.º 33)** de la remadora con la **Llave Inglesa (n.º 99)** si la remadora está desequilibrada durante el uso.

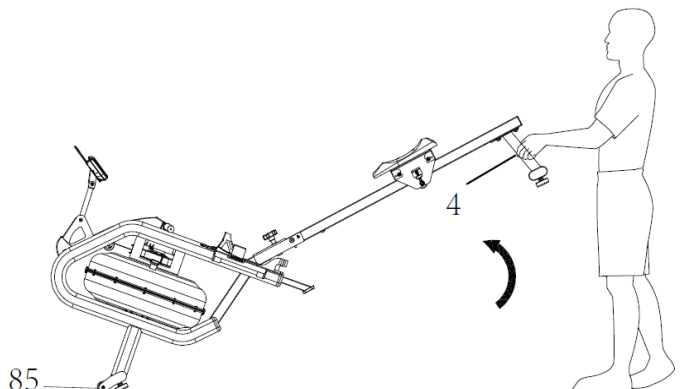
¡PRECAUCIÓN!

Las piezas móviles, como el **Asiento (n.º 30)**, pueden aplastar y cortar. Mantenga las manos alejadas del **Riel Deslizante (n.º 3)** durante el uso.



TRASLADO DE LA MÁQUINA

Para mover la remadora, levante el **Tubo de Soporte Trasero (n.º 4)** hasta que los **Rodillos (n.º 85)** toquen el suelo. Con los **Rodillos (n.º 85)** en el suelo, puede transportar la remadora al lugar deseado con facilidad.

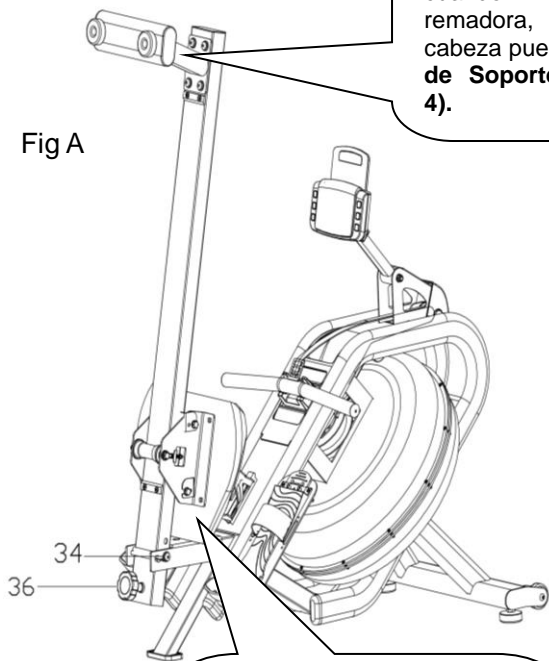


ALMACENAMIENTO

¡PRECAUCIÓN!

Muévase con cuidado cuando levante la remadora, ya que su cabeza puede tocar el **Tubo de Soporte Trasero (No. 4)**.

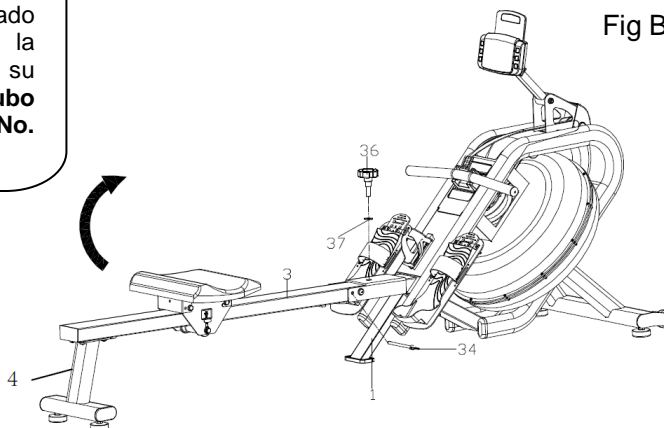
Fig A



¡PRECAUCIÓN!

Mueva primero el **Asiento (No. 30)** a la parte delantera del **Riel Deslizante (No. 3)** o se deslizará hacia abajo cuando levante la remadora.

Fig B



Cuando no esté en uso, puede ahorrar espacio almacenando la remadora verticalmente. Desatornille la **Perilla (n.º 36)** y la **Arandela Plana (n.º 37)** y retire la **Perilla de Resorte (n.º 34)**. (Fig. B) Baje el **Asiento (n.º 30)** por completo. A continuación, doble el **Riel Deslizante (n.º 3)** hacia arriba.

PRECAUCIÓN: El **Asiento (n.º 30)** se deslizará hacia abajo al plegar el **Riel Deslizante (n.º 3)**.

Inserte la **Perilla (n.º 36)** y la **Arandela Plana (n.º 37)** en los orificios de la parte posterior del **Riel Deslizante (n.º 3)** y apriete. Luego inserte la **Perilla de Resorte (n.º 34)**. (Figura A)

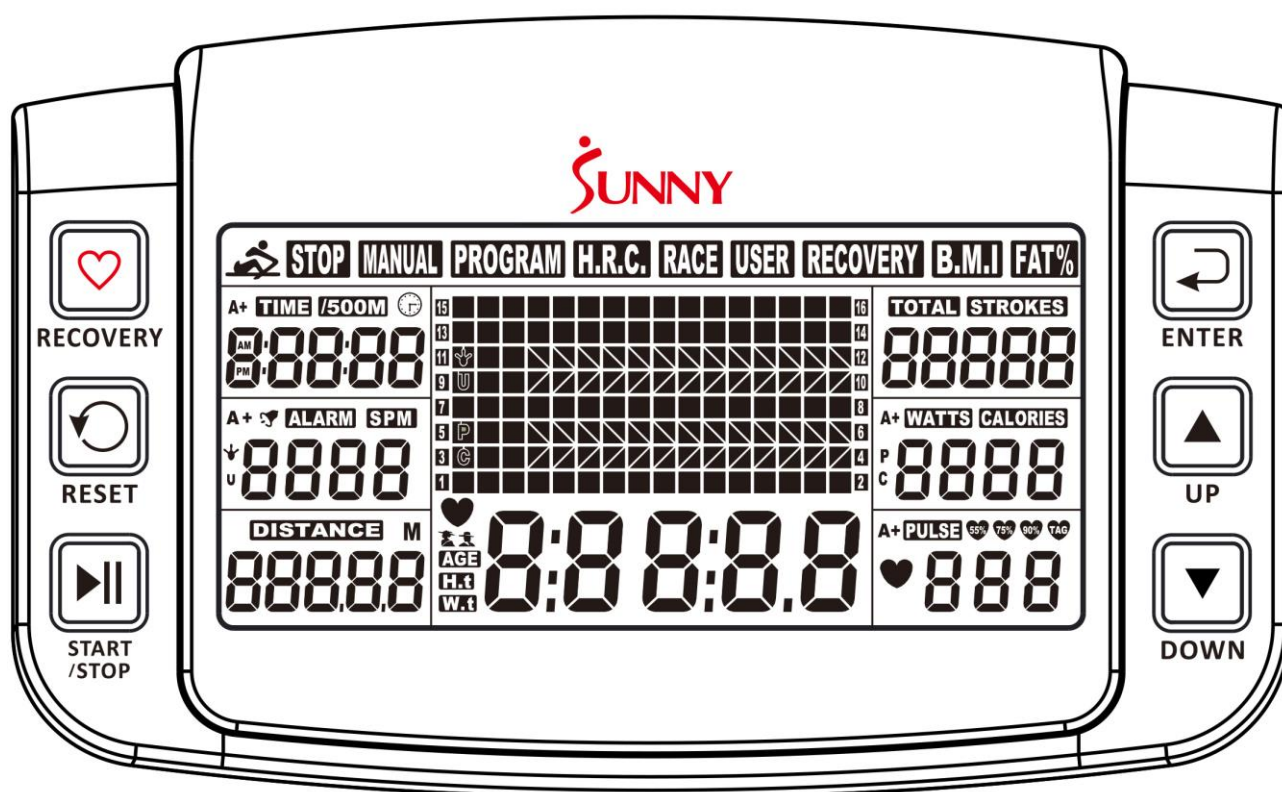
Si no usa la remadora durante más de un mes, vacíe el tanque antes de almacenamiento.



AJUSTE DEL PEDAL

La correa del pedal es ajustable y se puede personalizar para adaptarse al tamaño del pie del usuario.

MEDIDOR DE EJERCICIO



La consola de visualización computarizada en la remadora de agua de Sunny permite al usuario adaptar un entrenamiento personalizado al monitorear su progreso. Durante un entrenamiento, el medidor de ejercicio mostrará alternativamente y repetidamente el tiempo, tiempo / 500M, SPM, distancia, remadas, remadas totales, calorías quemadas y pulso.

BOTONES

UP (ARRIBA)▲/DOWN(ABAJO) ▼:

Pulse estos dos botones para desplazarse por la selección disponible.

Para ajustar el valor de la función hacia arriba y hacia abajo.

ENTER (INGRESAR):

Para confirmar su selección.

Durante el entrenamiento, pulse el botón para explorar cada función de la pantalla.

START /STOP (INICIAR/DETENER):

Para iniciar y detener el programa de entrenamiento seleccionado.

RESET (RESTABLECER):

Para regresar la computadora al menú principal. Manténgalo pulsado por más de 3 segundos para restablecer los valores.

RECOVERY (RECUPERACIÓN):

Para activar el PROGRAMA DE RECUPERACIÓN que evaluará automáticamente su estado físico inmediatamente después del entrenamiento.

FUNCIONES

TIME (TIEMPO): Establezca el tiempo objetivo al pulsar los botones UP y DOWN (de 1 min a 99 min), en incrementos de 1 minuto.

TIME/500 M (TIEMPO/500 M): Su tiempo promedio de 500 m se muestra automáticamente.

SPM: Remadas por minuto.

DISTANCIA: Prestablezca el valor objetivo al pulsar los botones UP y DOWN (de 100 a 9990 metros), en incrementos de 100 metros.

STROKES (REMADAS): Establezca el valor objetivo al pulsar los botones UP y DOWN (de 10 a 9990 remadas) en incrementos de 10.

TOTAL STROKES (REMADAS TOTALES): Acumula remadas totales de 0 hasta 9999.

CALORIES (CALORÍAS): Establezca las CALORÍAS objetivo al pulsar los botones UP o DOWN (de 10 cal a 9990 cal), en incrementos de 10 cal.

HRC/PULSE (CFC/PULSO): Muestra la frecuencia cardíaca. En el modo manual, establezca el valor objetivo al pulsar los botones UP y DOWN (de 30 a 240), en incrementos de 1 bpm. La CFC se mostrará en la parte superior de la computadora. La computadora mostrará su frecuencia cardíaca durante el entrenamiento. Cuando alcance el valor objetivo, el botón PULSE parpadeará y la computadora emitirá un pitido hasta que se cambie a otro modo o se quite el cinturón de pecho. La función de medición de pulso solo funciona con monitores de frecuencia cardíaca con correa para el pecho de 5.3 KHz.

CALENDAR (CALENDARIO): La computadora mostrará año, mes y día cuando esté en modo de suspensión.

TEMPERATURE (TEMPERATURA): La computadora mostrará la temperatura ambiente actual cuando esté en modo de suspensión.

CLOCK (RELOJ): La computadora mostrará el reloj actual cuando esté en modo de suspensión

Nota: Correa de monitor de frecuencia cardíaca para el pecho no está incluido.

FUNCIONAMIENTO

4. Instale 2 pilas AA (incluidas) y el medidor emitirá un pitido durante 2 segundos (Fig. 1). A continuación, el medidor entra en el MODO RELOJ Y CALENDARIO (Fig. 2)

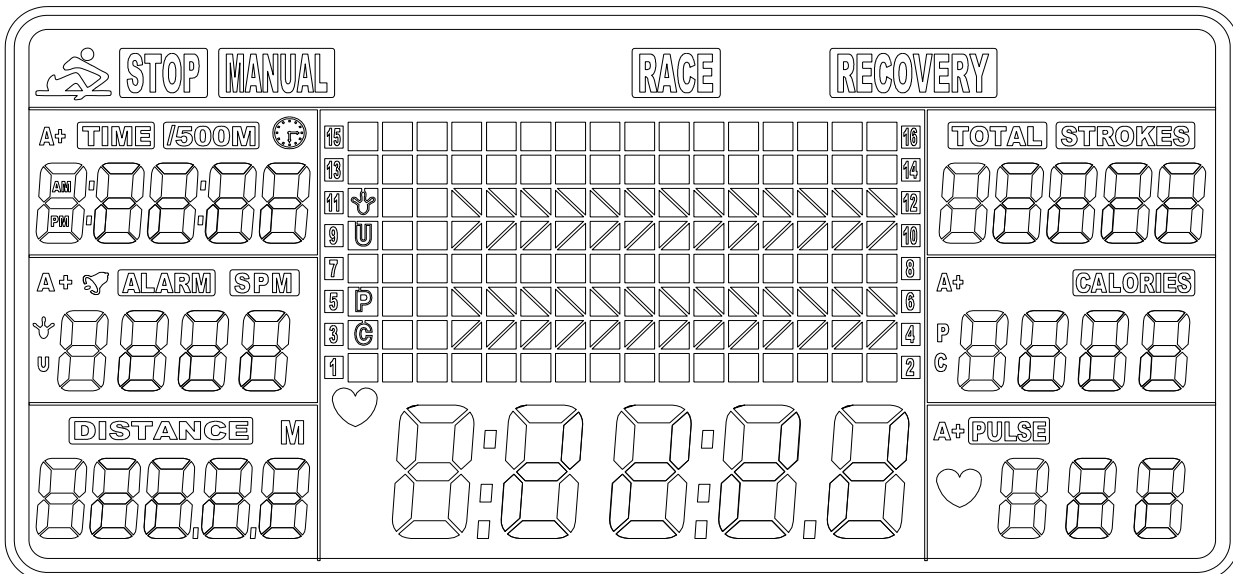


Fig 1

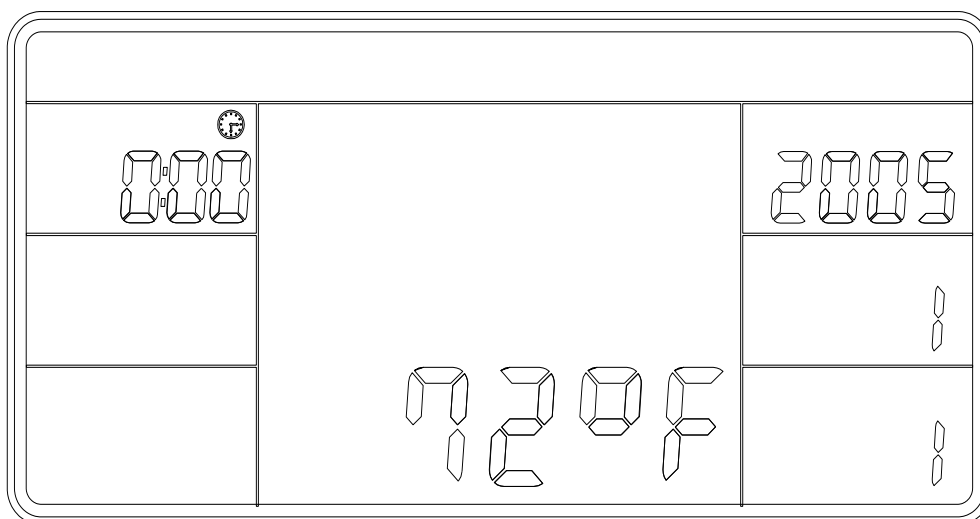


Fig 2

5. El RELOJ parpadeará. Pulse UP para establecer la hora. Pulse ENTER para confirmar. Pulse UP para establecer los minutos. Pulse ENTER para confirmar. Continúe configurando el AÑO (en la pantalla STROKES); el MES (en la pantalla CALORIES); el DÍA (en la pantalla PULSE) al pulsar UP o DOWN. Cada vez, pulse ENTER para confirmar. Después de confirmarlo, ALARM (ALARMA) parpadeará. Para omitir la configuración de una alarma, pulse ENTER. Para configurar una alarma, pulse UP para activar ALARM. Aparecerá una flecha junto a ALARM. Pulse ENTER. La pantalla CLOCK parpadeará. Pulse UP o DOWN para establecer la hora de la alarma. Pulse ENTER para confirmar. La computadora entrará en la pantalla SPORT (DEPORTE) (Fig. 3).

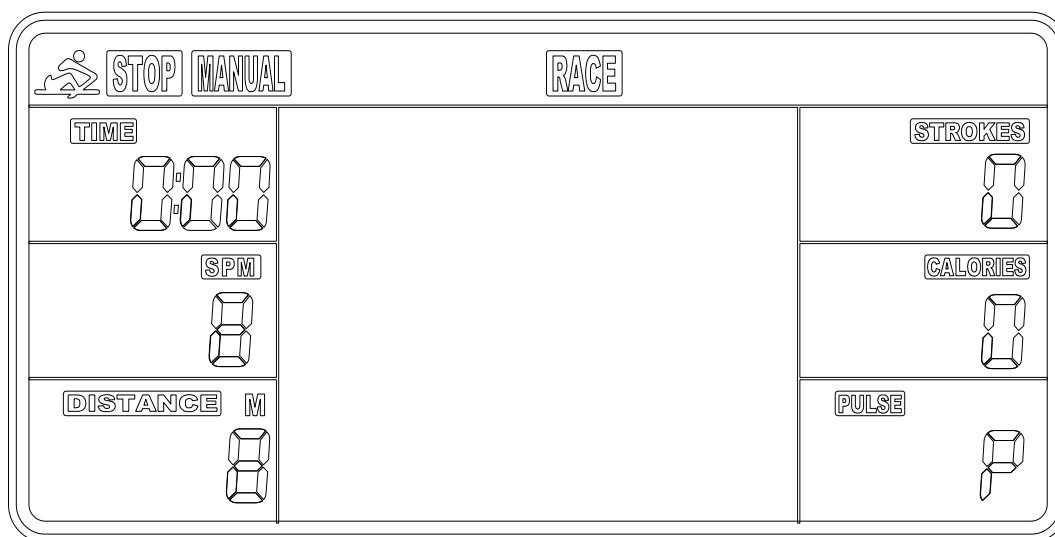


Fig 3

6. Al entrar en la pantalla SPORT, MANUAL (MANUAL) y RACE (CARRERA) parpadearán. Pulse UP o DOWN para seleccionar MANUAL o RACE. Pulse ENTER para confirmar su selección.

(1) MANUAL (Fig. 4): Hay 2 opciones en el modo MANUAL.

- a. El Medidor puede establecerse como cuenta regresiva. Cuando seleccione MANUAL, el

valor de TIME comenzará a parpadear. Pulse UP para establecer el valor de TIME a cuenta regresiva. Pulse ENTER para confirmar. Si no desea establecer el valor del tiempo en COUNTDOWN (CUENTA REGRESIVA), pulse ENTER para ir a la siguiente función. Puede establecer los valores de DISTANCE, STROKES, CALORIES o PULSE. (Solo puede establecer el valor de una función en cuenta regresiva. Por ejemplo, si ha establecido el valor objetivo para TIME, DISTANCE no se puede establecer). Pulse el botón START para iniciar. El ícono STOP desaparecerá. Cuando pulse el botón STOP o la función que ha seleccionado llegue a cero, la computadora se detendrá y mostrará el valor promedio.

b. La computadora cuenta el valor de su entrenamiento. Pulse START para iniciar.

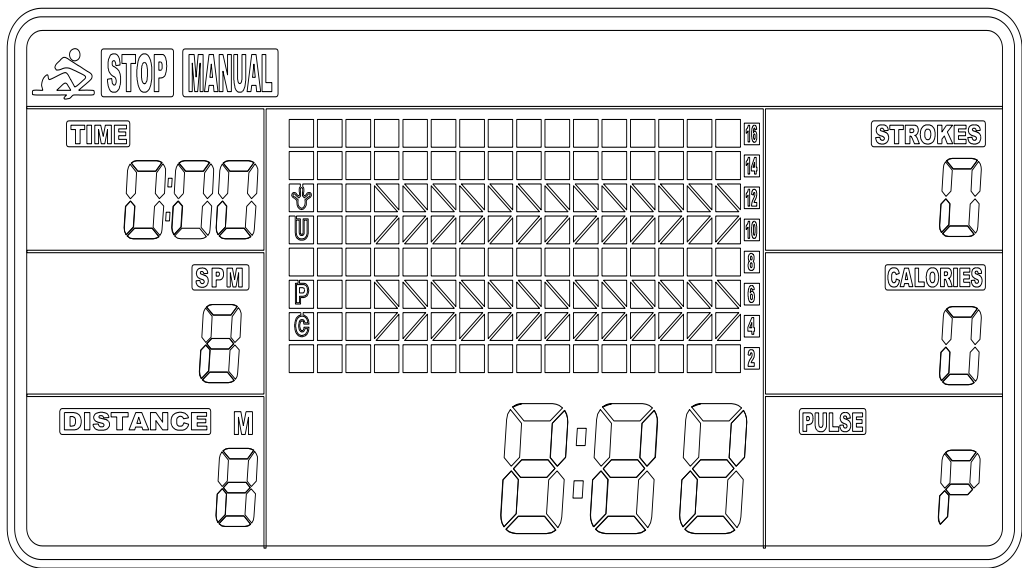


Fig.4

(2) RACE (CARRERA) (Fig. 5):

Seleccione el modo RACE (CARRERA) y L9 parpadeará. TIME/500 M mostrará 4:00. A continuación, pulse UP o DOWN para seleccionar de L1 a L15. Pulse ENTER para confirmar. A continuación, puede establecer la distancia de la carrera (de 500 M a 10000 M) mientras el valor de DISTANCE parpadea. Pulse ENTER y la imagen de la carrera aparecerá en la pantalla.

Los valores para TIME/500 M de los programas son los siguientes :

L1	L2	L3	L4	L5	L6	L7	L8	L9	L10	L11	L12	L13	L14	L15
8:00	7:30	7:00	6:30	6:00	5:30	5:00	4:30	4:00	3:30	3:00	2:30	2:00	1:30	1:00

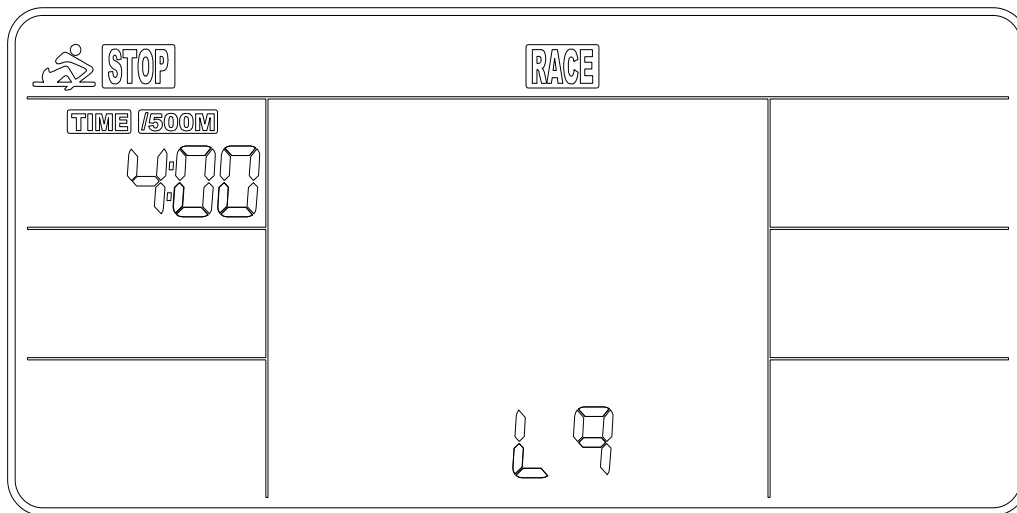


Fig.5

- c. Pulse el botón de START para iniciar y STOP desaparecerá. USER (USUARIO) y PC (COMPUTADORA) se mostrarán en la matriz (Fig. 6). La computadora se detendrá cuando el usuario o la computadora haya alcanzado la distancia de carrera que se estableció. A continuación, la matriz muestra "PC WIN" ("GANA LA PC") o "USER WIN" ("GANA EL USUARIO") (Fig. 7).

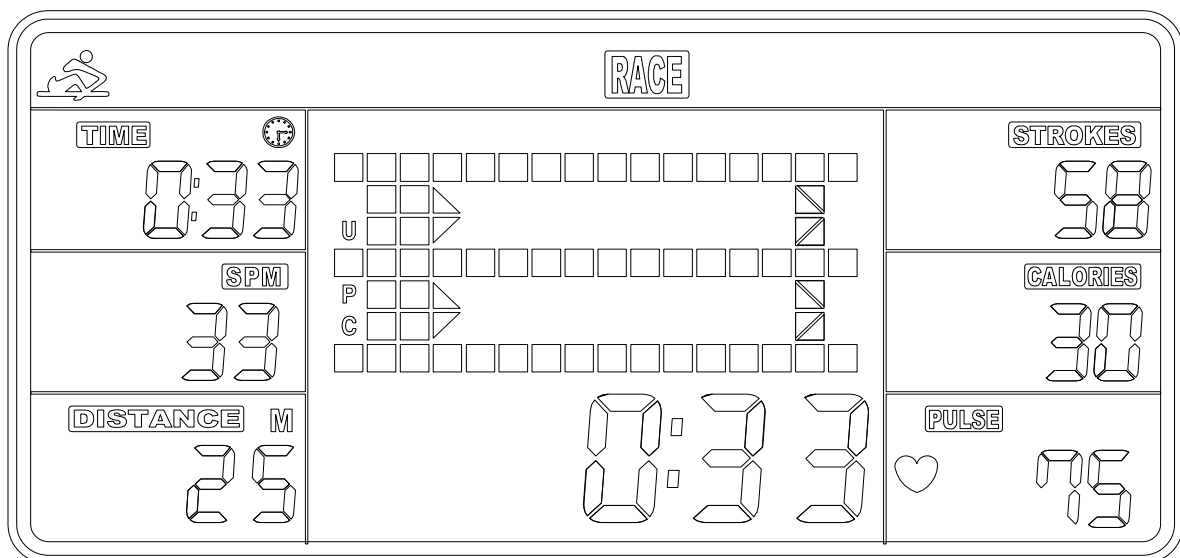


Fig 6

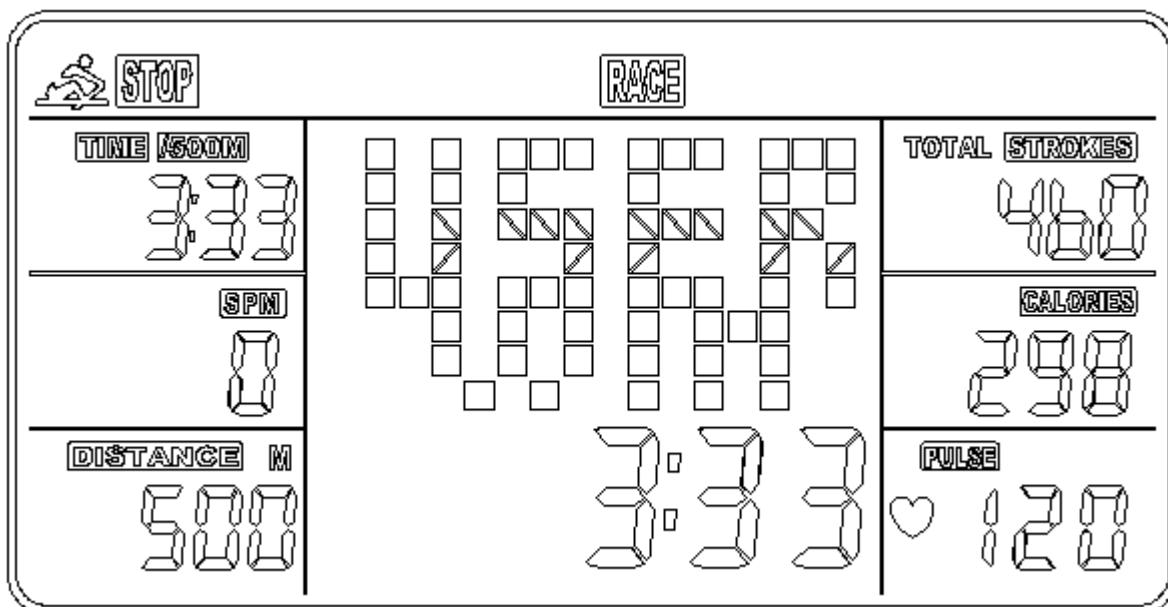


Fig 7

- d. Cuando termine la carrera, puede presionar START para comenzar una carrera nuevamente. Presione RESET para salir de la pantalla RACE.

(3) RECOVERY (Recuperacion):

Este medidor funciona con un monitor de frecuencia cardíaca con correa de pecho de 5.3 kHz (no incluido). Después de hacer ejercicio durante un período, siga usando el monitor con correa de pecho y pulse el botón "RECOVERY". Todas las pantallas funcionales se detendrán, salvo que "TIME" comienza a contar desde 00:60 hasta 00:00. La pantalla mostrará su estado de recuperación del ritmo cardíaco con F1, F2 hasta F6. F1 es excepcional. F6 es pobre. El usuario puede seguir haciendo ejercicio para mejorar el estado de recuperación del ritmo cardíaco. (Pulse nuevamente el botón RECOVERY para volver a la pantalla principal)

ALARM (Alarma):

La alarma solo funciona mientras la computadora esté en modo de suspensión. La alarma no sonará durante el ejercicio. Mantenga presionado RESET para ir a la pantalla del reloj para configurar ALARMA.

SLEEP MODE (MODO DE SUSPENSIÓN):

La computadora pasará al modo de suspensión después de unos 4 minutos de inactividad.

BATTERY (PILA):

Este medidor utiliza 2 pilas AA, que están incluidas. Si cambia las pilas, se restablecerán todos los valores. Si hay un problema con la pantalla, intente cambiar las pilas primero. Cuando cambie las pilas, cambie ambas. No mezcle diferentes tipos de pilas. No mezcle pilas viejas y nuevas. Deseche las pilas viejas de acuerdo con sus regulaciones regionales.

CONNECT WITH US

FOR FITNESS
ARTICLES, VIDEOS
& WORKOUTS



@SUNNYHEALTHANDFITNESS



@SUNNYHEALTHFITNESS



@SUNNYHEALTHFIT



/SUNNYHEALTHFITNESS



/SUNNYHEALTHANDFITNESS

WWW.SUNNYHEALTHFITNESS.COM