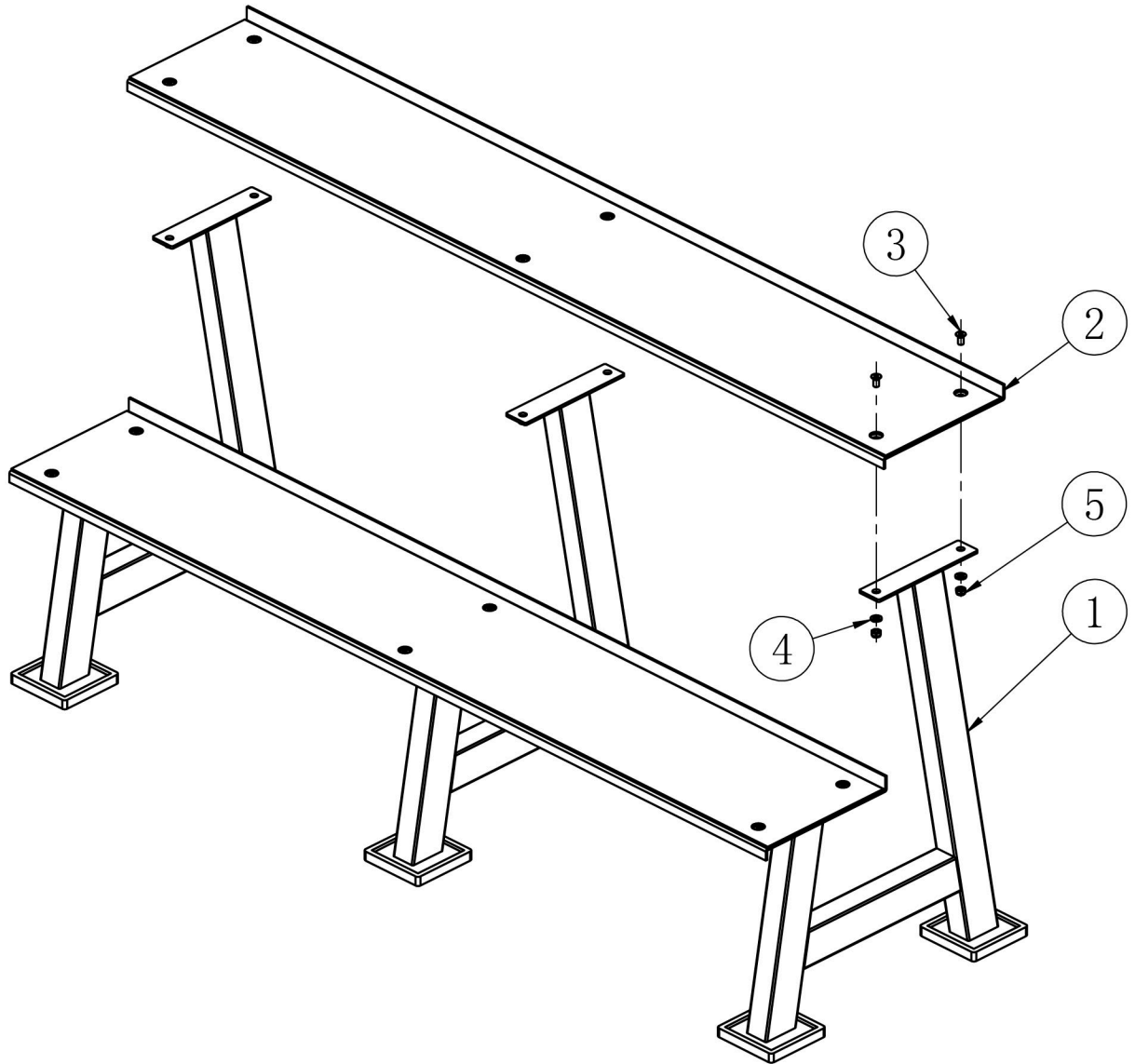


SYNERGEE[®] **Kettlebell Rack**



NO.	DESCRIPTION	Q'TY
1	Support Legs	3
2	Kettlebell Shelves	2
3	Hex Screws (M8*20)	12
4	Washers (8mm Diameter)	12
5	Nuts (8mm Diameter)	12