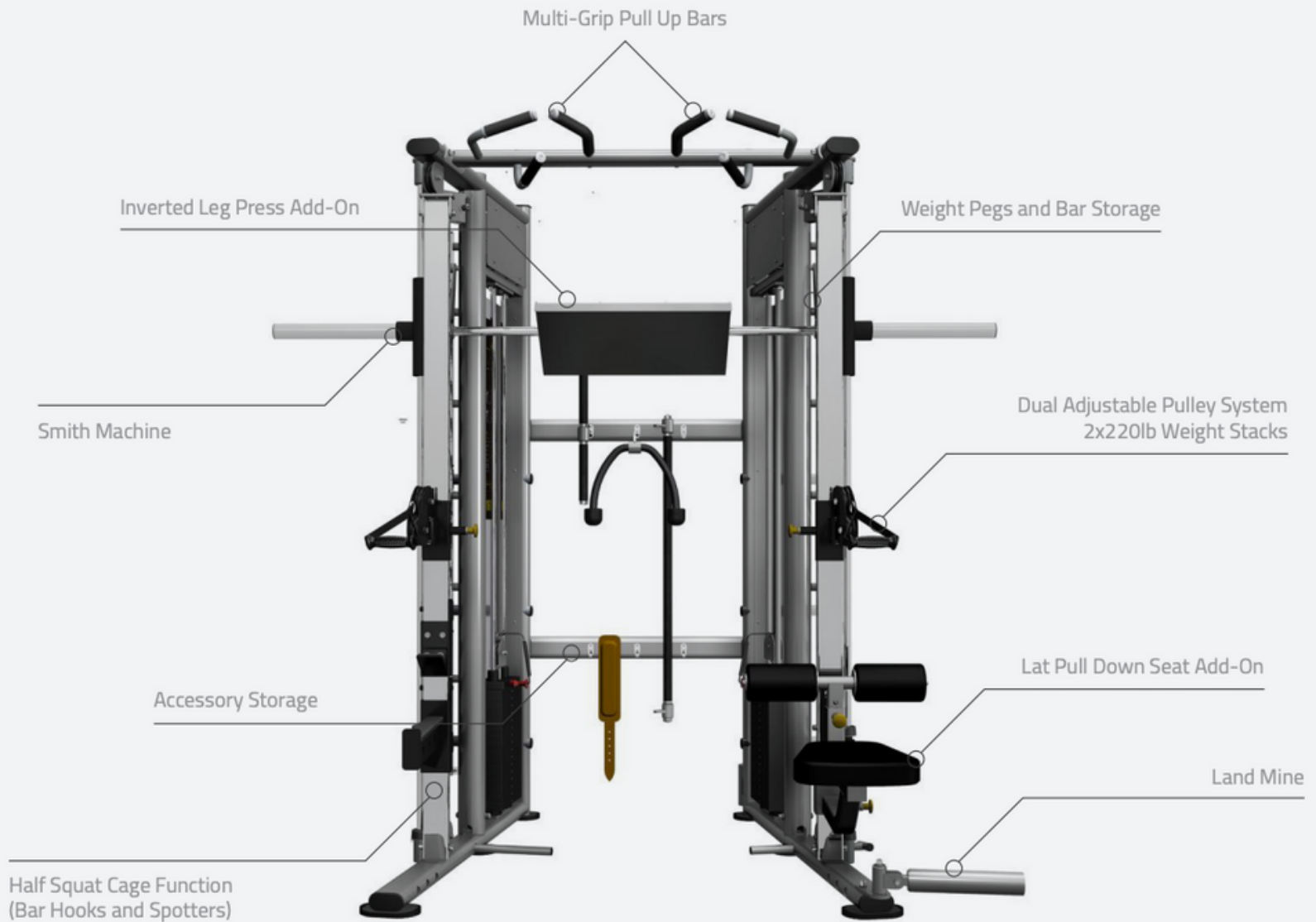


UNIVERSAL TRAINER

ALL-IN-ONE TRAINING SYSTEM



MULTI-FUNCTIONAL ALL-IN-ONE VERSATILE UNIT





Laser cut holes and numbers made with precision.



Multi-Grip pull up handles to target different areas of the back



The inverted leg press add-on attachment allows the users to use the smith bar for inverted less presses.



The dual balanced smith machine spotters make the Universal trainer a safety first training system



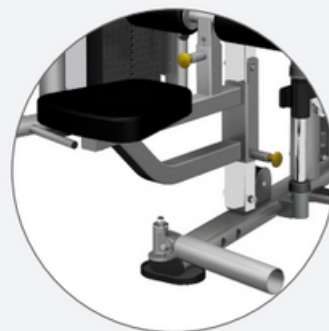
The Dual's Adjustable Pulley System comes with 2x220lbs stack weights and storage hooks for the pulley attachments.



6 attachment hooks for storing cable attachments



Safety spotter attachment for Olympic bars.



The versatility is endless on the Universal Trainer with a Lat Pull Down Seat attachment and Land Mine.