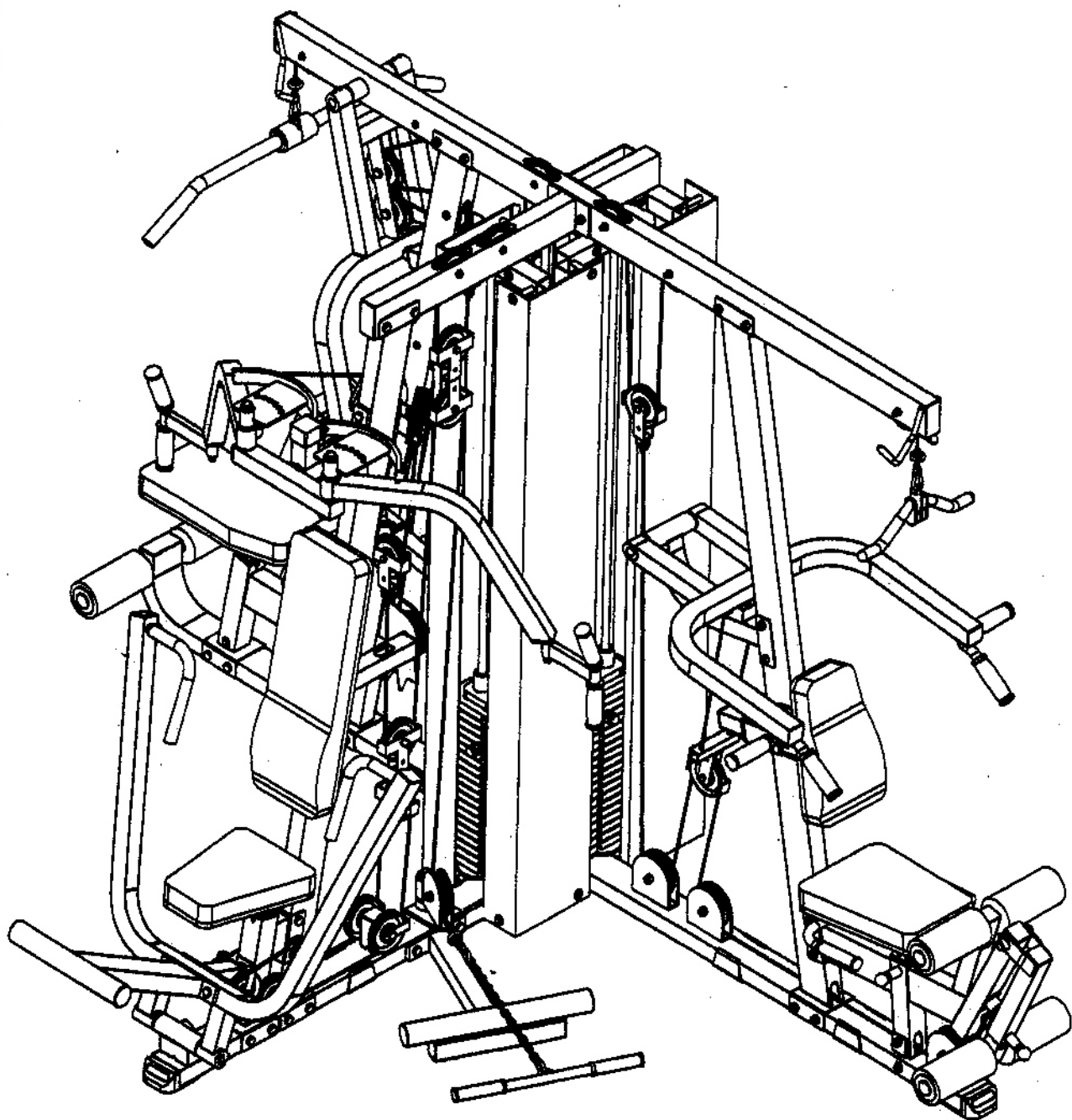


EXM-4000.1

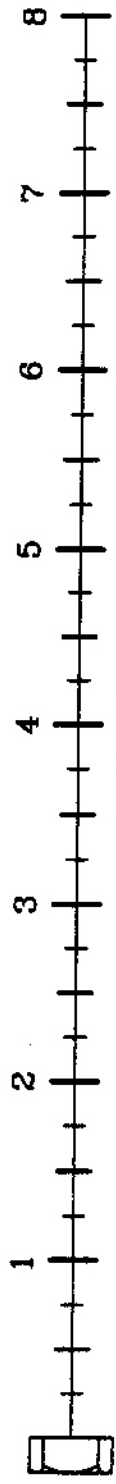
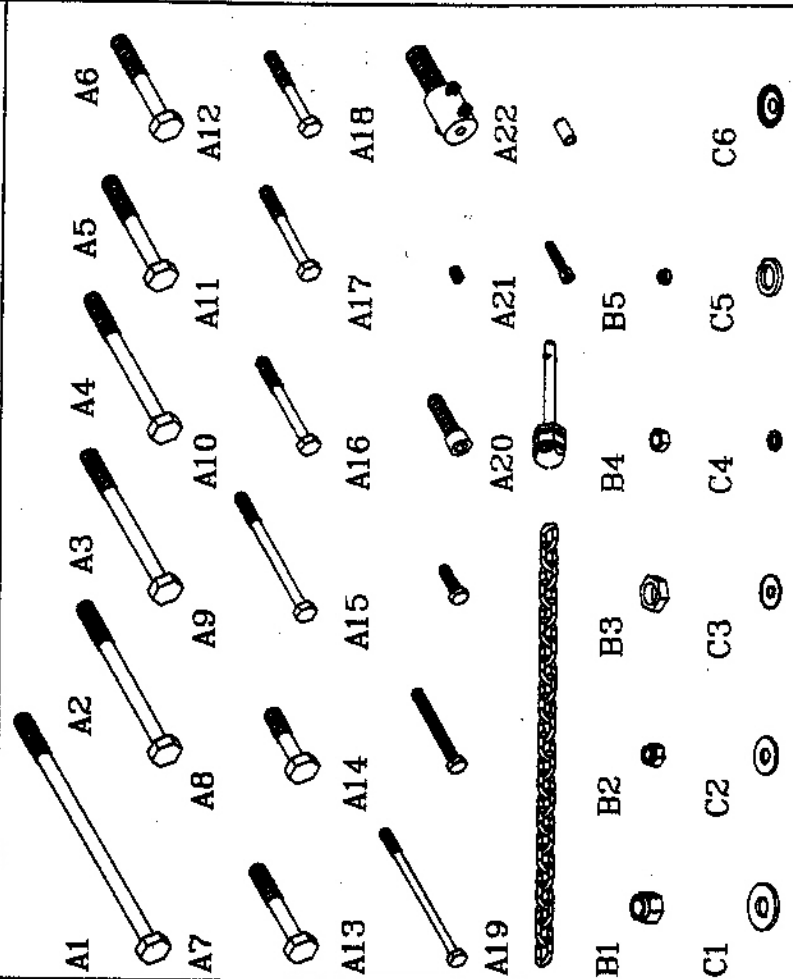


VERSION 0006






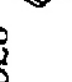
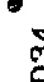
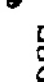

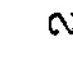
EXM-4000.1 HARDWARE ILLUSTRATION SHEET

| | |
|-------------------------------|---------|
| B5. 3/16" NYLON LOCK NUT | [1PCS] |
| C1. 1/2" (I.D)WASHER | [8PCS] |
| C2. 3/8" (I.D) WASHER | [28PCS] |
| C3. 5/16" (I.D) WASHER | [20PCS] |
| C4. 5/16" SPRING WASHER | [20PCS] |
| C5. 5/8" SPRING WASHER | [3PCS] |
| C6. 3/8" ROUND END CAP WASHER | [2PCS] |

| | |
|---------------------------------|-------------|
| A1. 1/2"x9" HEX HEAD BOLT | Qty. [2PCS] |
| A2. 1/2"x5 1/2" HEX HEAD BOLT | [5PCS] |
| A3. 1/2"x5 1/4" HEX HEAD BOLT | [2PCS] |
| A4. 1/2"x5" HEX HEAD BOLT | [10PCS] |
| A5. 1/2"x3 1/2" HEX HEAD BOLT | [3PCS] |
| A6. 1/2"x3 1/4" HEX HEAD BOLT | [6PCS] |
| A7. 1/2"x3" HEX HEAD BOLT | [18PCS] |
| A8. 1/2"x2" HEX HEAD BOLT | [9PCS] |
| A9. 3/8"x4 1/2" HEX HEAD BOLT | [1PCS] |
| A10. 3/8"x3 1/4" HEX HEAD BOLT | [16PCS] |
| A12. 3/8"x2 3/4" HEX HEAD BOLT | [20PCS] |
| A13. 5/16"x5" HEX HEAD BOLT | [2PCS] |
| A14. 5/16"x2 3/4" HEX HEAD BOLT | [2PCS] |
| A15. 5/16"x1" HEX HEAD BOLT | [16PCS] |
| A16. 7/16x1 1/2" ROUND BOLT | [3PCS] |
| A17. 5/16"x3/8" SET SCREW | [9PCS] |
| A18. 5/8" ROUND BOLT | [3PCS] |
| A19. STEEL CHAIN | [1PCS] |
| A20. PIN | [3PCS] |
| A21. 5/16"x1 1/2" ROUND BOLT | [1PCS] |
| A22. ø1/2"x22L SLEEVE | [1PCS] |
| B1. 1/2" NYLON LOCK NUT | [55PCS] |
| B2. 3/8" NYLON LOCK NUT | [21PCS] |
| B3. 5/8" LOCK NUT | [3PCS] |
| B4. 3/8" LOCK NUT | [2PCS] |



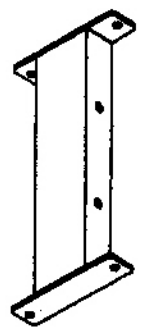
EXM-4000.1 HARDWARE ILLUSTRATION SHEET

| | Qty. | | |
|-------------------------------------|---------|--|---------|
| D1. 3/8" BOLT CAP | [2PCS] | D31. 3410mm STEEL CABLE | [1PCS] |
| D2. 1/4"X3/8" PULLEY (E4047) | [10PCS] | D32. 575mm STEEL CABLE | [2PCS] |
| D3. 1/4"X1/2" PULLEY (E4047) | [15PCS] | D33. 3910mm STEEL CABLE | [1PCS] |
| D4. 2"X4" FOOT CAP (E4087A) | [2PCS] | D34. 4790mm STEEL CABLE | [1PCS] |
| D5. 2"X4" RUBBER DOUNT (E4090) | [6PCS] | D35. 3450mm STEEL CABLE | [1PCS] |
| D6. 2"X2"X2.5t END CAP (E4043) | [16PCS] | D36. 2400mm STEEL CABLE | [1PCS] |
| D7. 2"X2"X1.8t END CAP (E4001) | [1PCS] | D37. 2135mm STEEL CABLE | [1PCS] |
| D8. 1 3/4"X1 3/4" END CAP (E4002) | [4PCS] | D38. 2880mm STEEL CABLE | [1PCS] |
| D9. 30X30 END CAP (E4026) | [2PCS] | D39. 3160mm STEEL CABLE | [1PCS] |
| D10. 2"X4" END CAP (E4049A) | [5PCS] | D40. 40X31X40 TWO-SIDED TAPE (F4053) | [24PCS] |
| D11. 1" ROUND END CAP (E10128) | [8PCS] | D41. 1/4"X8L STEEL BUSHING (E10138) | [6PCS] |
| D12. 1"X34X135 RUBBER GRIP (E4068) | [4PCS] | D42. 1/4" SHAFT COLLAR (E4129) | [6PCS] |
| D13. 1"X41X135 RUBBER GRIP (E4082) | [12PCS] | | |
| D14. 2"X2" RUBBER DOUNT (E2009) | [1PCS] | D1.  | D2 |
| D15. 1/2"X62L BUSHING (E10137) | [16PCS] | D8.  | D9 |
| D16. 1/4" RUBBER DOUNT (E2022) | [6PCS] | D15.  | D16 |
| D17. 1/8" SPRING SNAP LINK (E5000) | [5PCS] | D15.  | D17 |
| D18. 95X140mm NO-SLIP TAPE (E5024) | [4PCS] | D22.  | D23 |
| D19. 1/2"X15 STEEL BUSHING (E3015) | [20PCS] | D28.  | D29 |
| D21. 2"X2" RUBBER CANE CAP (E4039) | [8PCS] | D31.  | D32 |
| D22. 150X245mm NO-SLIP TAPE (E5026) | [1PCS] | D34.  | D35 |
| D23. 1/3" NYLON WASHER (E4085) | [8PCS] | D37.  | D38 |
| D25. 60X45 NYLON BUSHING (E4008) | [4PCS] | D30.  | D40 |
| D26. 1/38" CU WASHER (E3026) | [2PCS] | | |
| D27. 1" ROUND END CAP (E4012) | [2PCS] | | |
| D28. TOP PLATE (F5068) | [3PCS] | | |
| D29. WEIGHT SELECTOR BAR (E10113) | [3PCS] | | |
| D30. 1/4"X8" FOAM ROLLER (F4041) | [8PCS] | | |

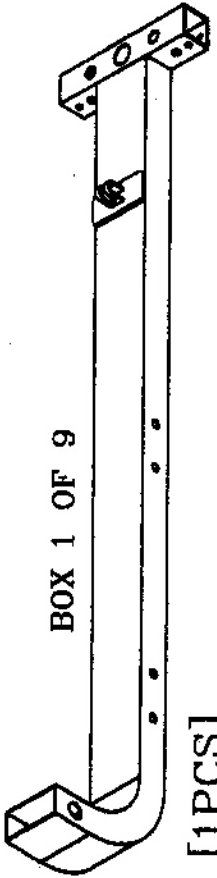
EXM-4000.1 PARTS ILLUSTRATION SHEET

A [1PCS]

BOX 3 OF 9

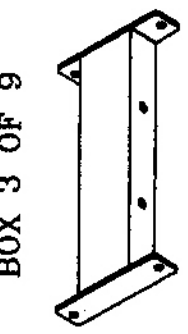


B [1PCS]



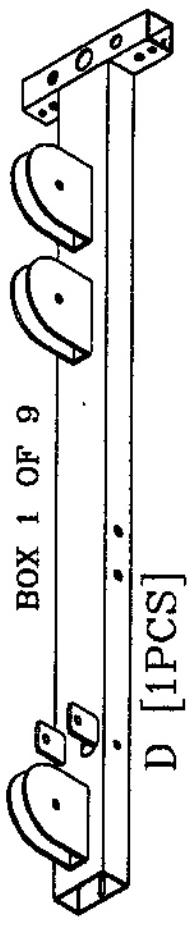
BOX 1 OF 9

C [1PCS]



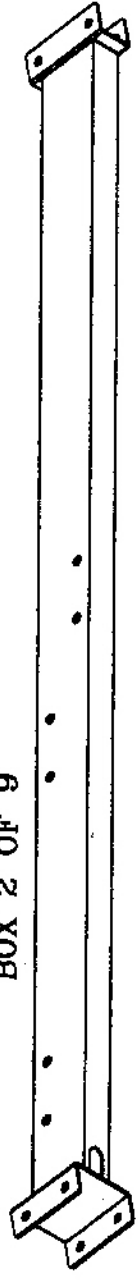
BOX 1 OF 9

D [1PCS]



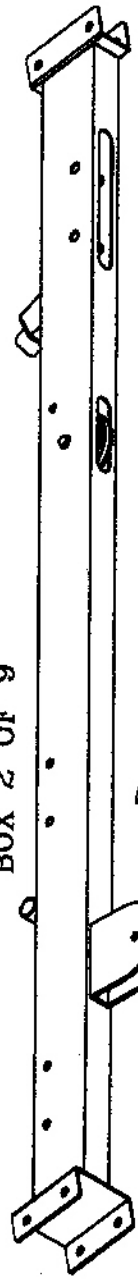
E [1PCS]

BOX 2 OF 9



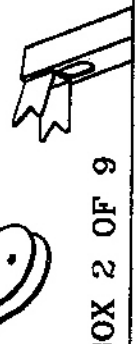
F [1PCS]

BOX 2 OF 9



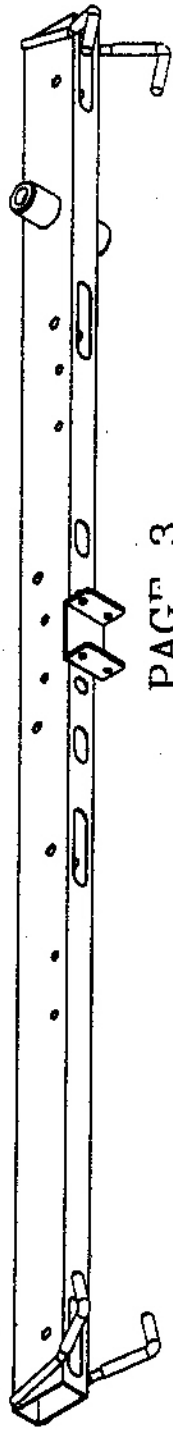
G [1PCS]

BOX 2 OF 9



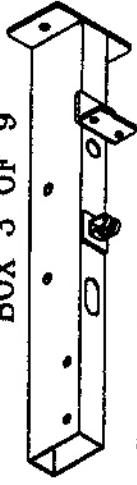
H [1PCS]

BOX 1 OF 9



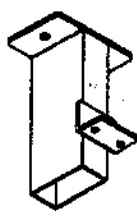
I [1PCS]

BOX 3 OF 9



J [1PCS]

BOX 1 OF 9



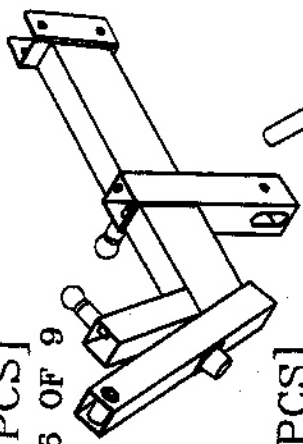
K [4PCS]

BOX 2 OF 9



EXM-4000.1 PARTS ILLUSTRATION SHEET

L [1PCS]
BOX 6 OF 9



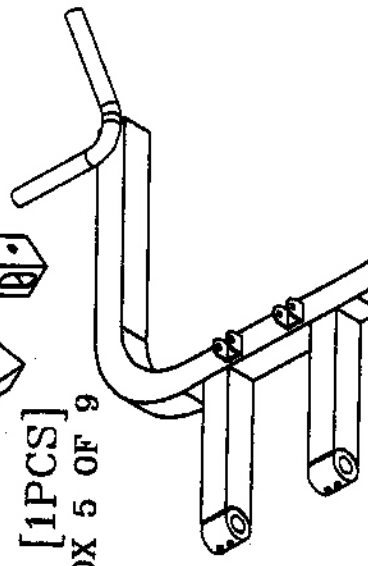
M [1PCS]
BOX 6 OF 9



N [2PCS]
BOX 6 OF 9



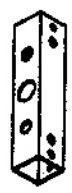
S [1PCS]
BOX 5 OF 9



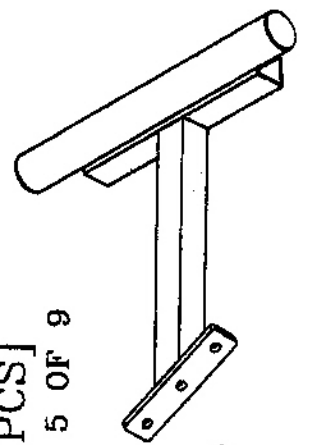
T [2PCS]
BOX 6 OF 9



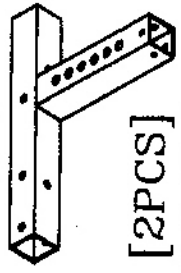
U [1PCS]
BOX 5 OF 9



Z [1PCS]
BOX 5 OF 9



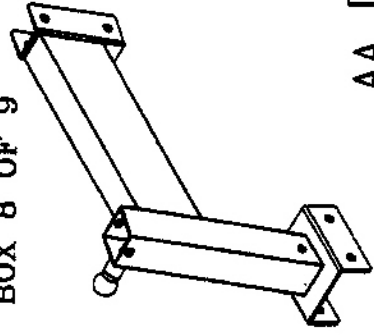
O [1PCS]
BOX 6 OF 9



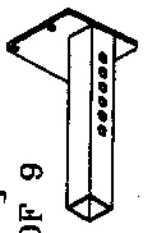
P [2PCS]
BOX 3 OF 9



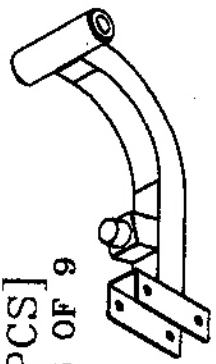
V [1PCS]
BOX 8 OF 9



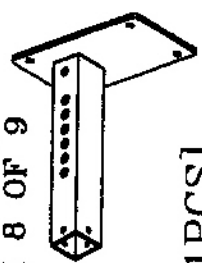
Q [1PCS]
BOX 6 OF 9



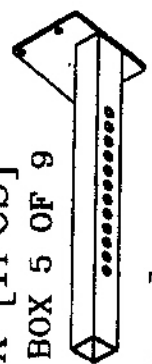
R [1PCS]
BOX 6 OF 9



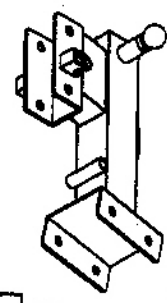
W [1PCS]
BOX 8 OF 9



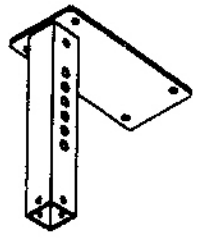
X [1PCS]
BOX 5 OF 9



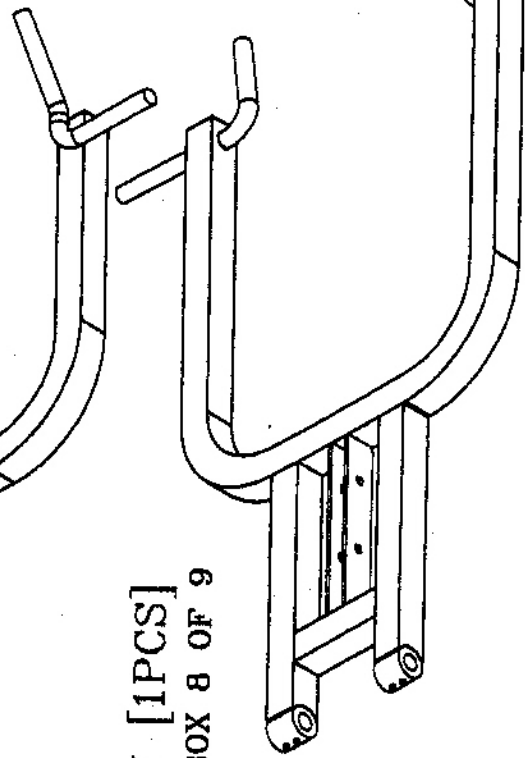
AA [1PCS]
BOX 3 OF 9



AB [1PCS]
BOX 3 OF 9



Y [1PCS]
BOX 8 OF 9

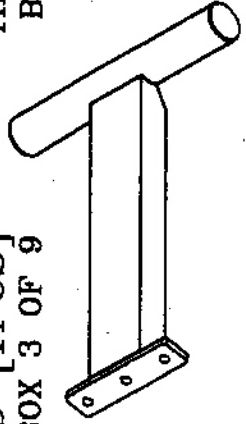


EXM-4000.1 PARTS ILLUSTRATION SHEET

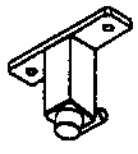
AC [1PCS]
BOX 4 OF 9



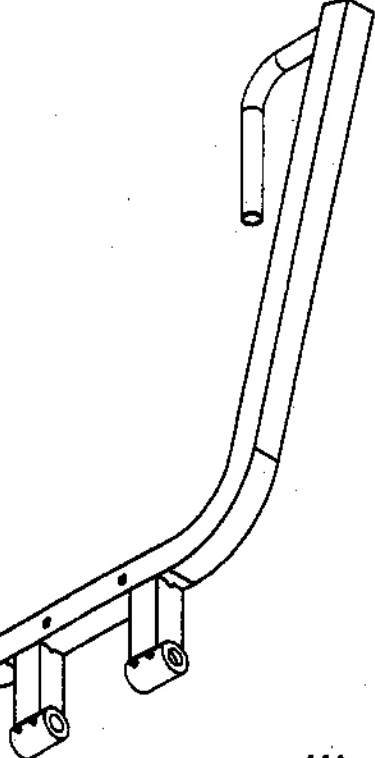
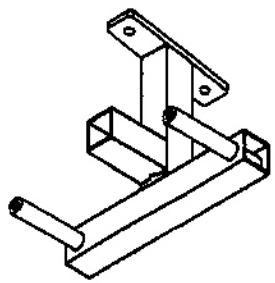
AD [1PCS]
BOX 3 OF 9



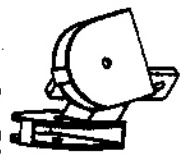
AE [1PCS]
BOX 6 OF 9



AF [1PCS]
BOX 3 OF 9



AG [1PCS]
BOX 3 OF 9



AH [1PCS]
BOX 6 OF 9



AI [1PCS]
BOX 6 OF 9



AJ [2PCS]
BOX 6 OF 9



AK [1PCS]
BOX 6 OF 9



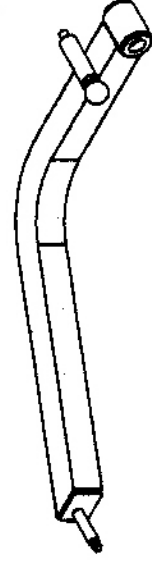
AL [1PCS]
BOX 6 OF 9



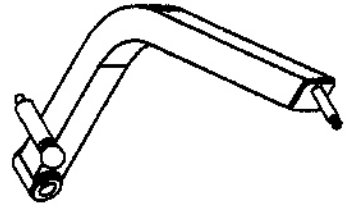
AM [2PCS]
BOX 6 OF 9



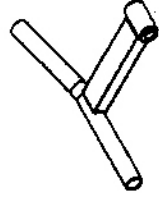
AN [1PCS]
BOX 4 OF 9



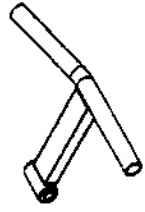
AO [1PCS]
BOX 4 OF 9



AP [1PCS]
BOX 3 OF 9

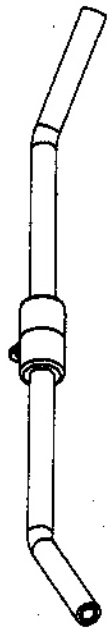


AQ [1PCS]
BOX 3 OF 9



EXM-4000.1 PARTS ILLUSTRATION SHEET

AR [1PCS]
BOX 5 OF 9



AS [1PCS]
BOX 5 OF 9



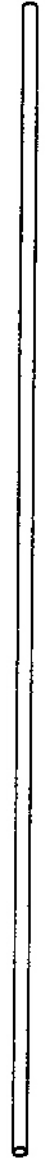
AT [1PCS]
BOX 5 OF 9



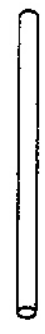
AU [1PCS]
BOX 5 OF 9



AV [6PCS]
BOX 9 OF 9



AW [3PCS] $\phi 1'' \times 510L$
BOX 5 OF 9



AX [1PCS] $\phi 1'' \times 560L$
BOX 5 OF 9



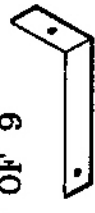
AY [6PCS]
BOX 4 OF 9



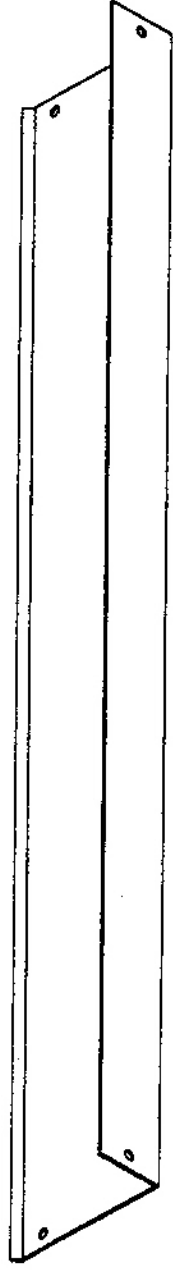
AZ [2PCS]
BOX 6 OF 9



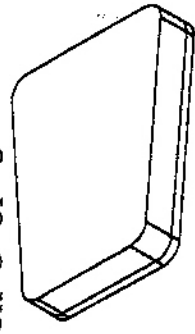
BA [8PCS]
BOX 7 OF 9



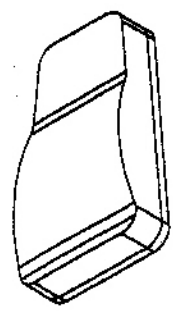
BB [4PCS]
BOX 7 OF 9



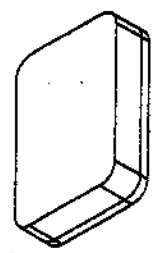
BC [1PCS]
BOX 5 OF 9



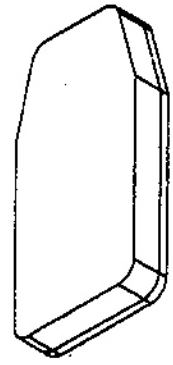
BD [1PCS]
BOX 5 OF 9



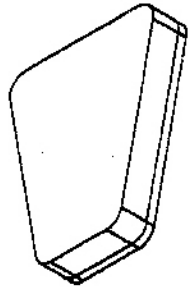
BE [1PCS]
BOX 8 OF 9



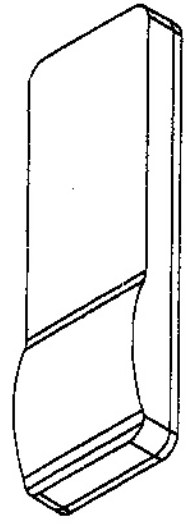
BF [1PCS]
BOX 8 OF 9

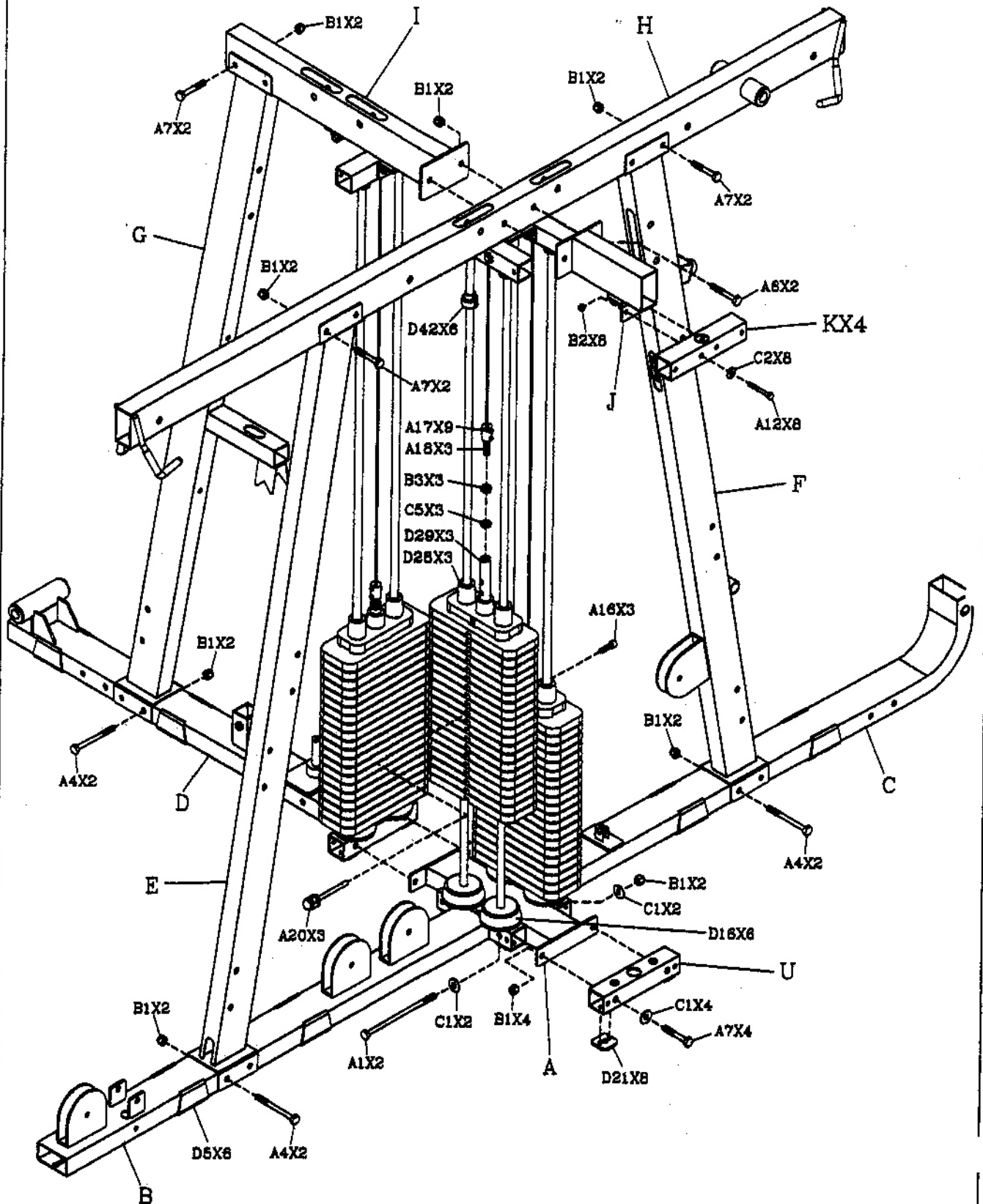


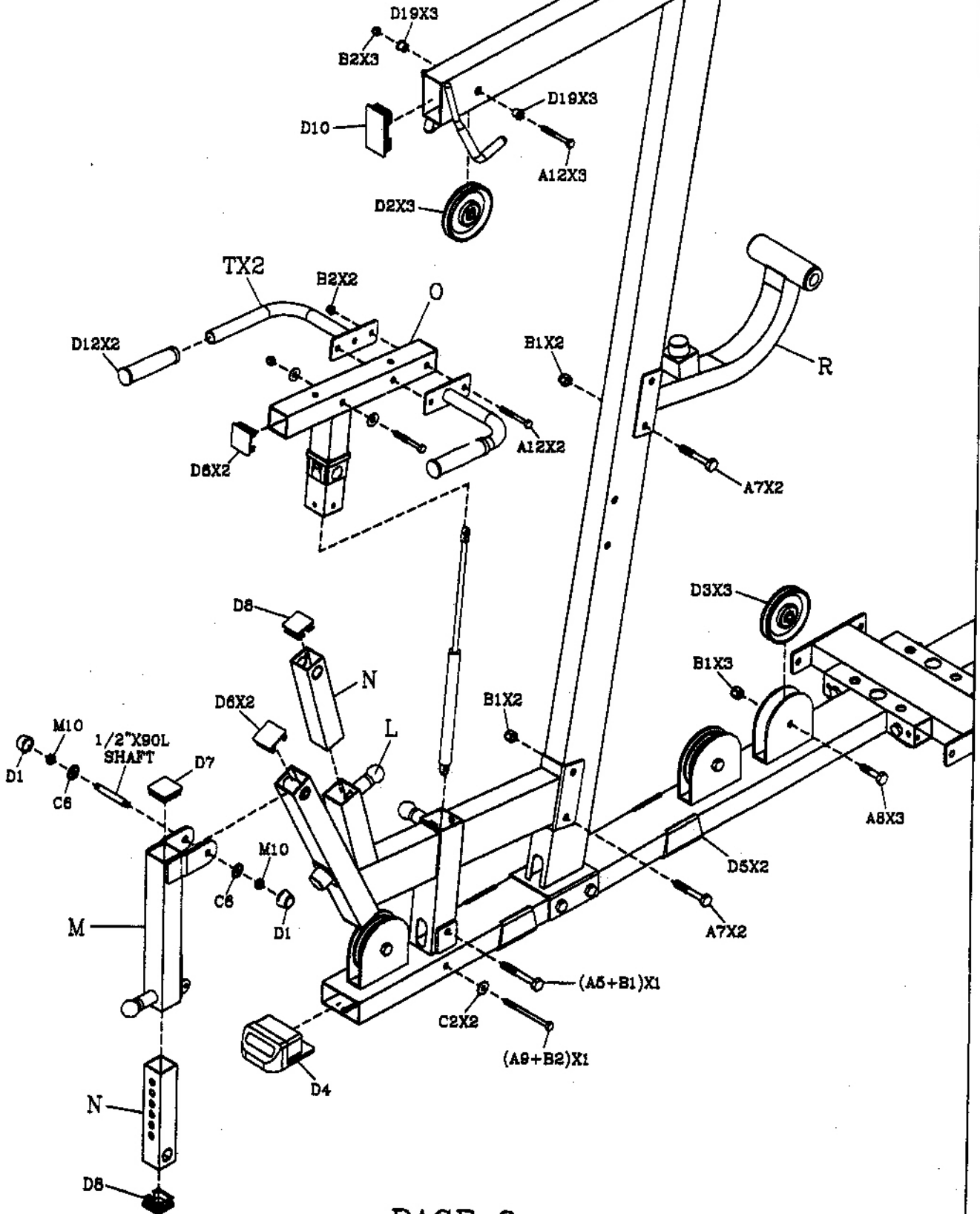
BG [1PCS]
BOX 4 OF 9



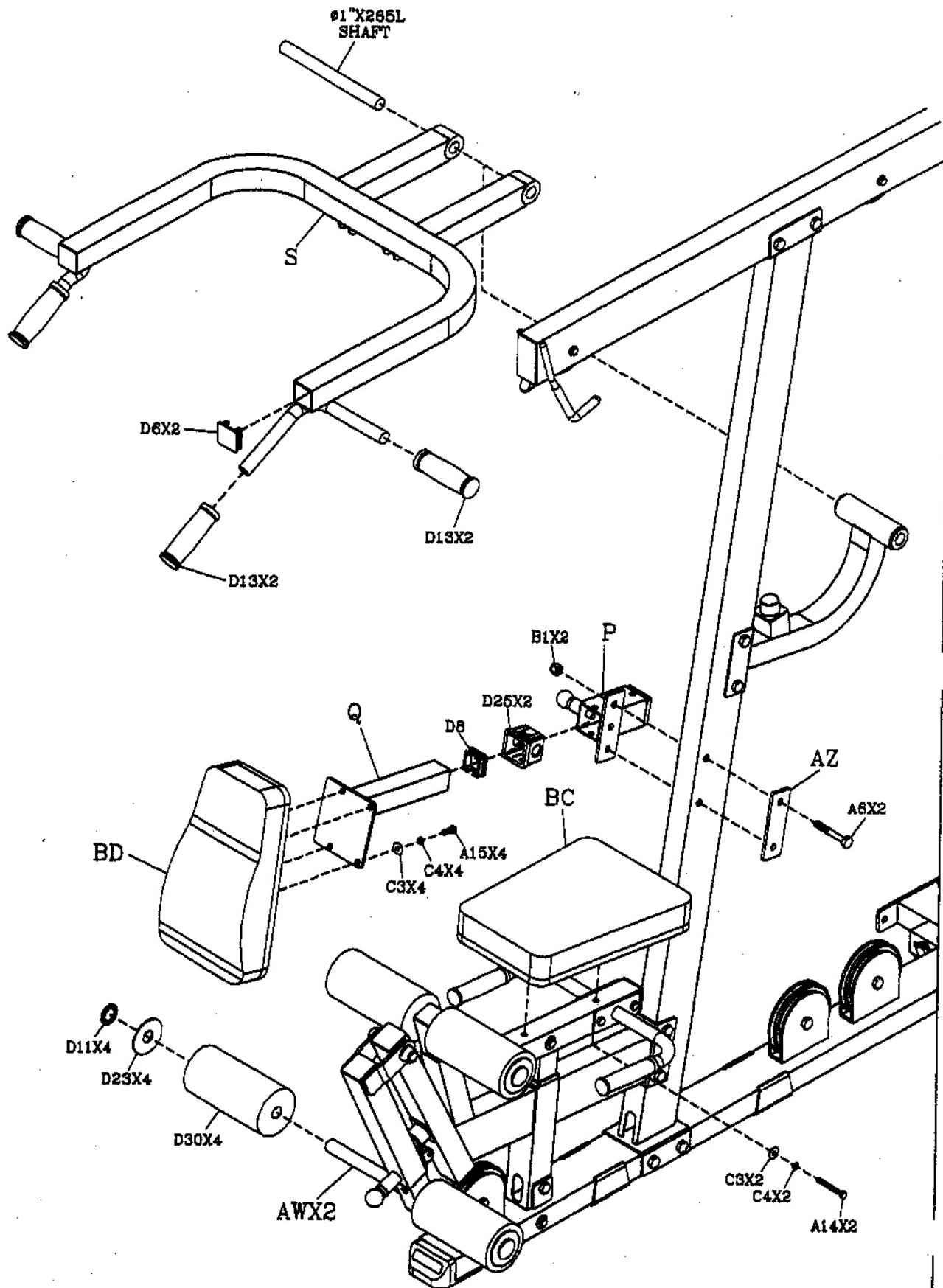
BH [1PCS]
BOX 4 OF 9





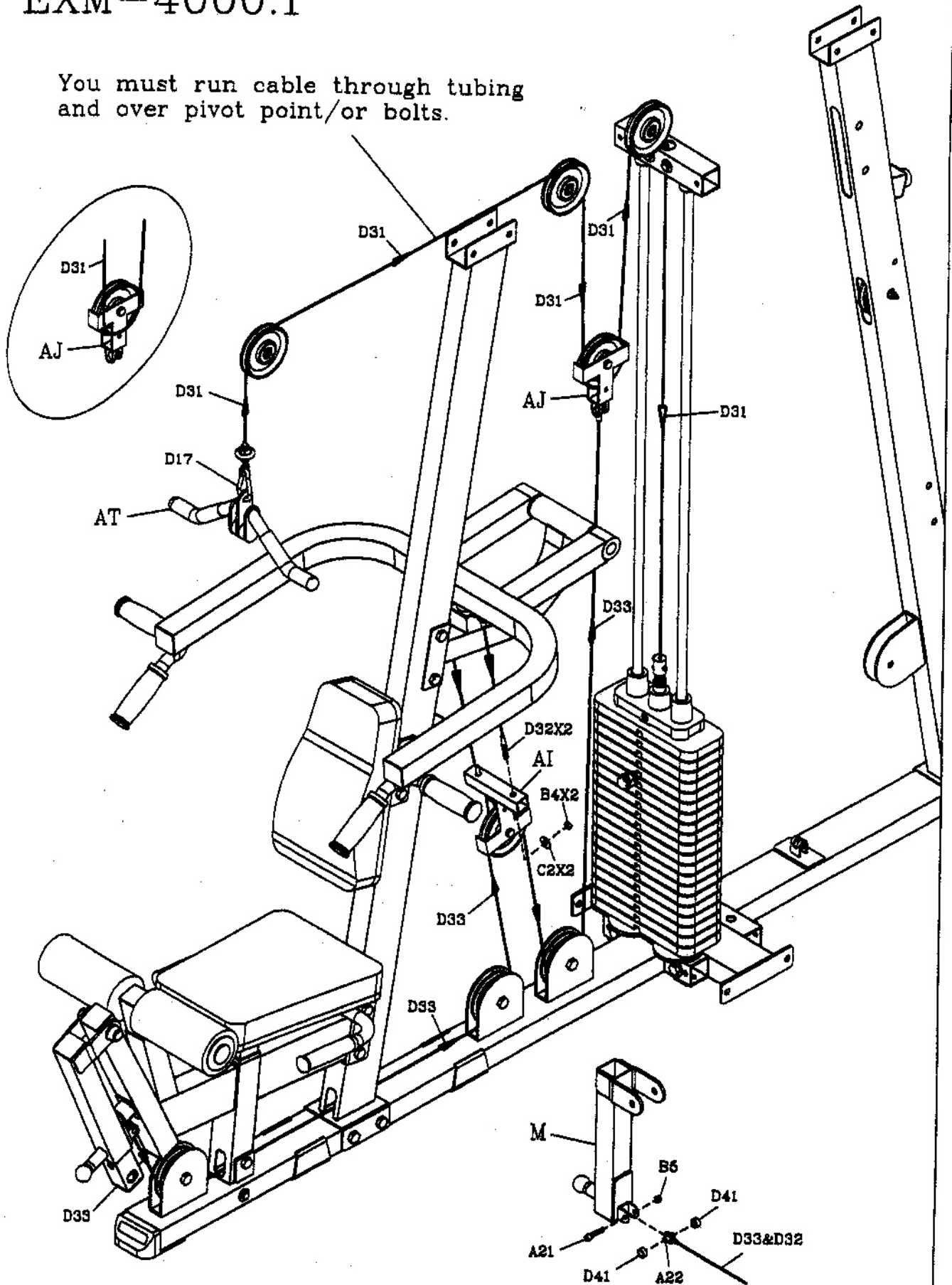


EXM-4000.1



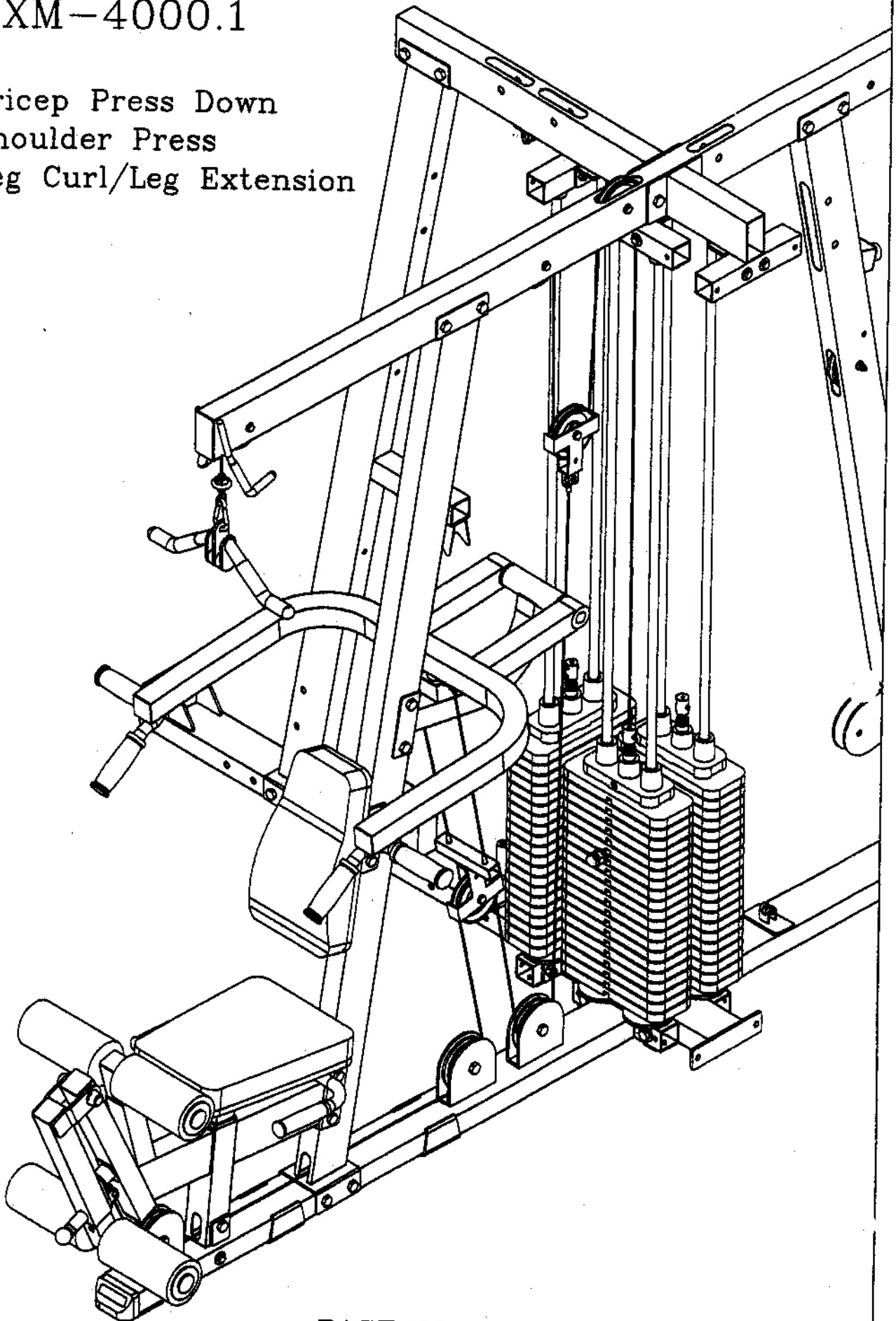
EXM-4000.1

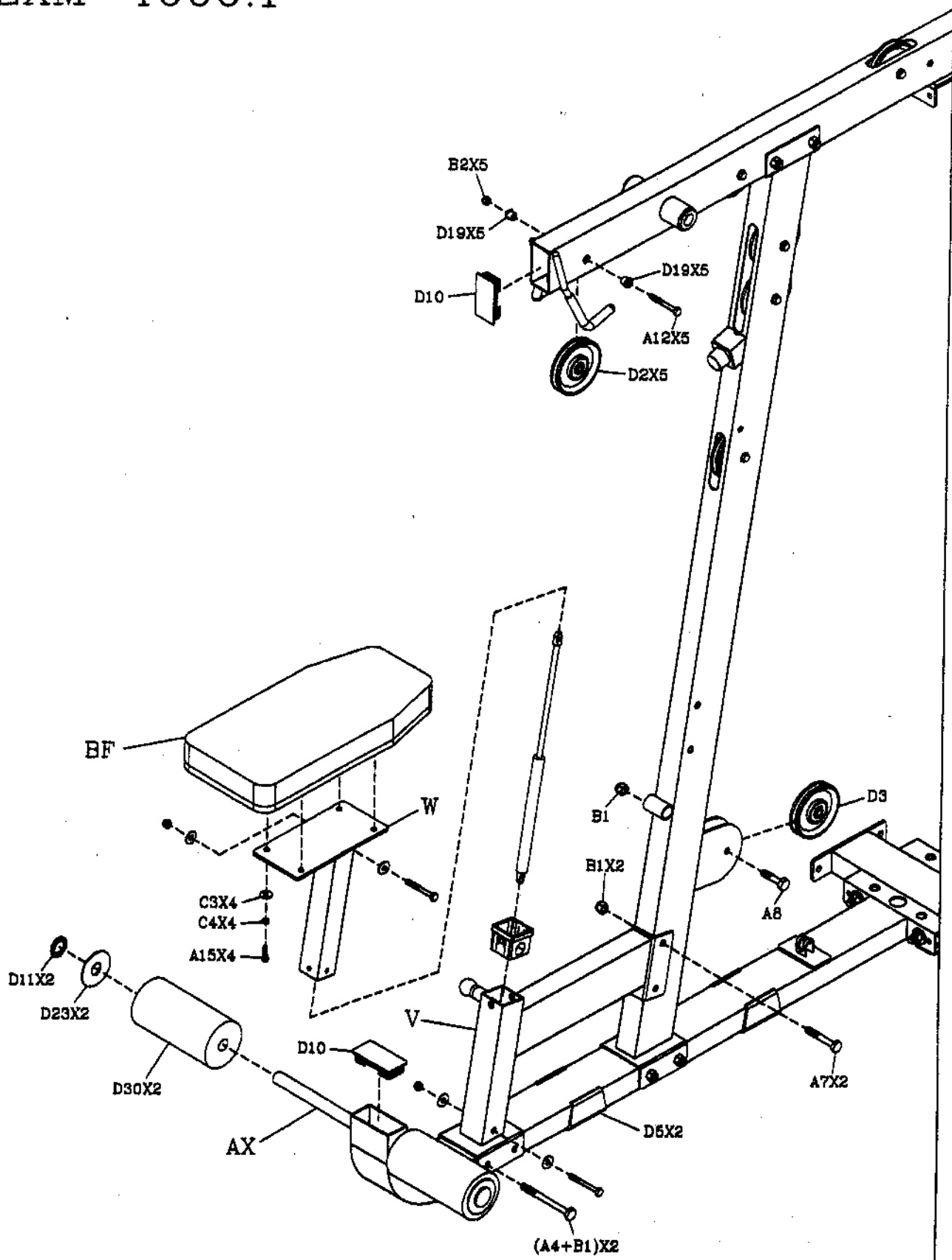
You must run cable through tubing
and over pivot point/or bolts.

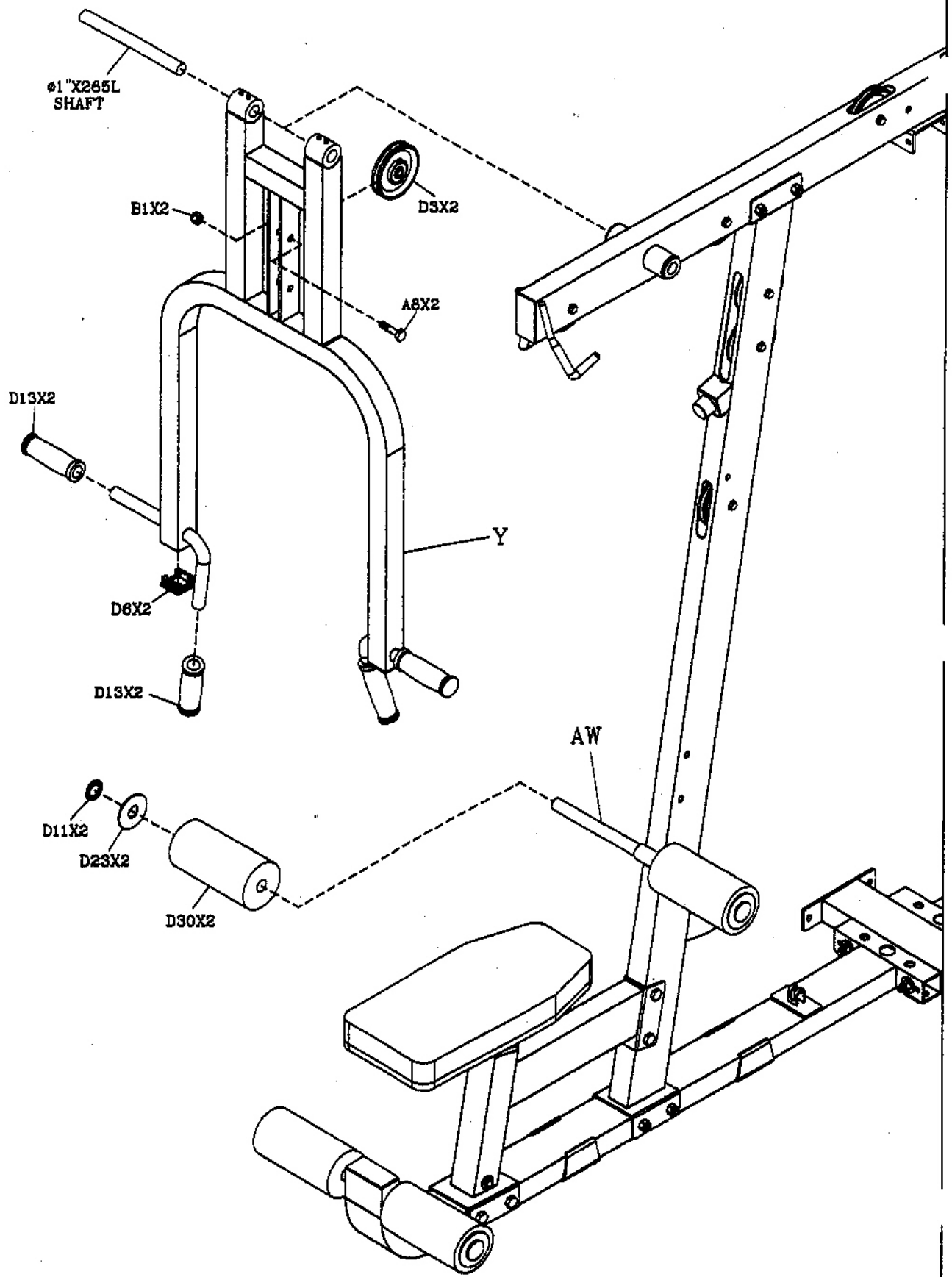


EXM-4000.1

Tricep Press Down
Shoulder Press
Leg Curl/Leg Extension





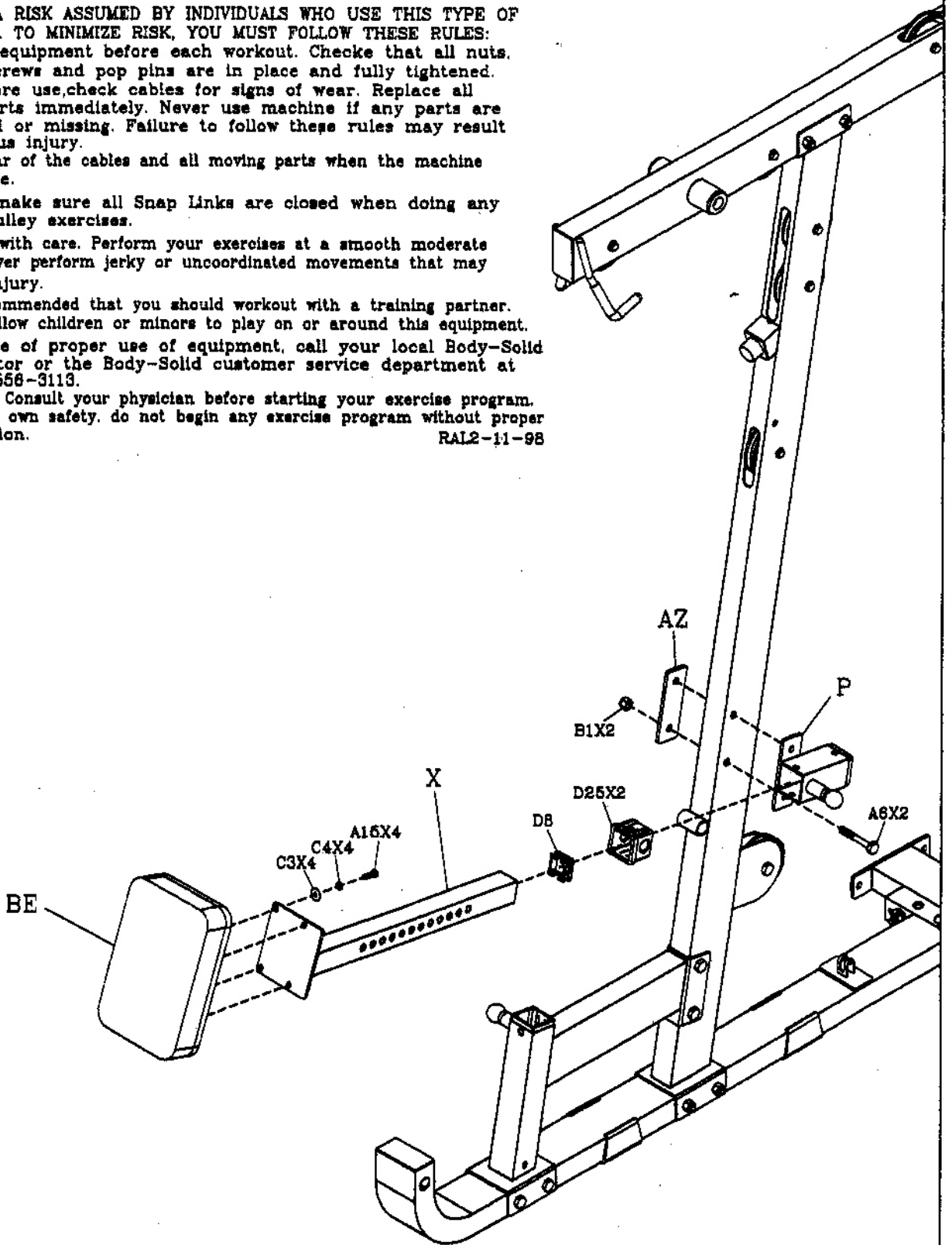


EXM-4000.1

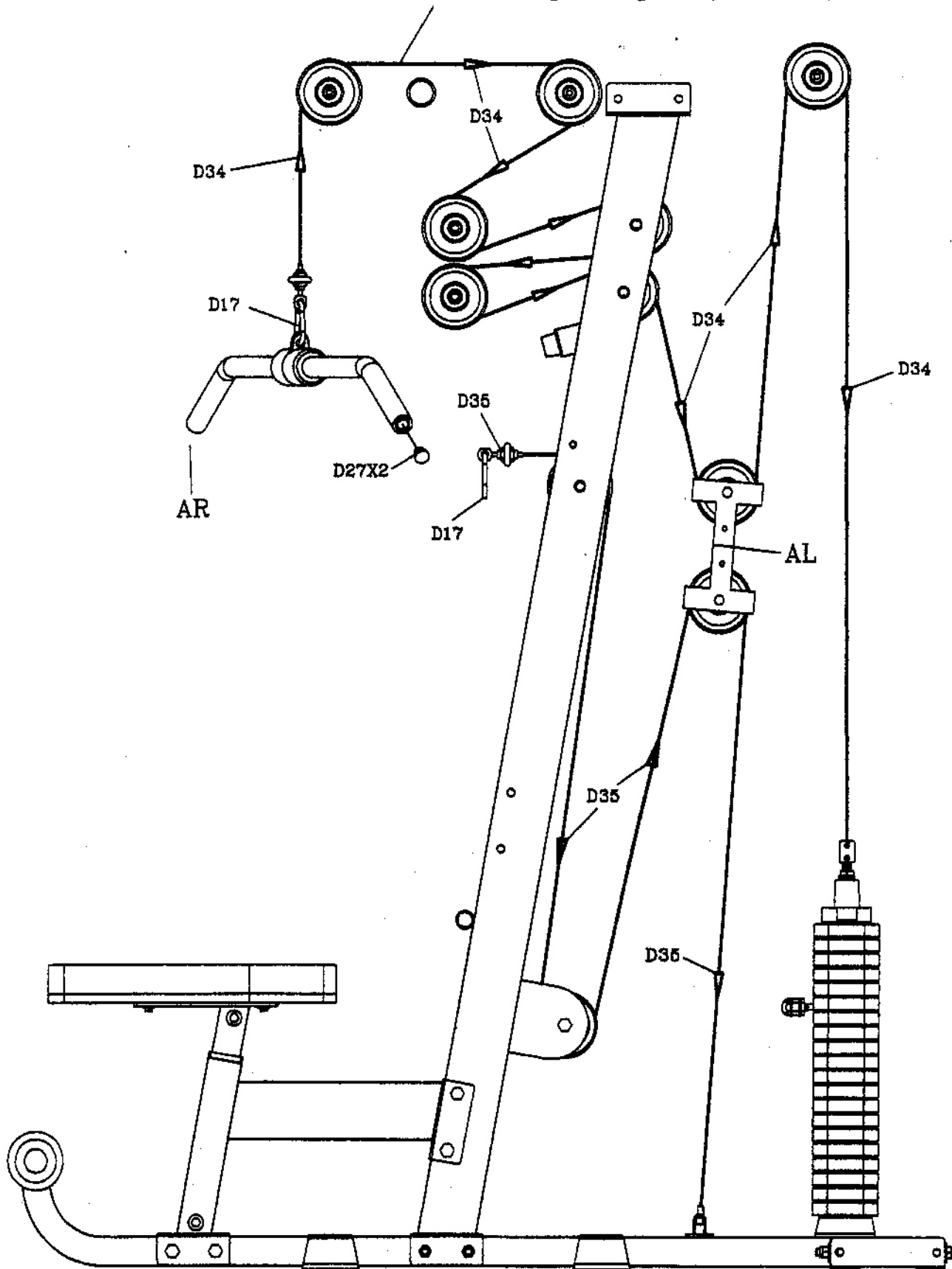
THERE IS A RISK ASSUMED BY INDIVIDUALS WHO USE THIS TYPE OF EQUIPMENT. TO MINIMIZE RISK, YOU MUST FOLLOW THESE RULES:

1. Inspect equipment before each workout. Check that all nuts, bolts, screws and pop pins are in place and fully tightened. Also, before use, check cables for signs of wear. Replace all worn parts immediately. Never use machine if any parts are damaged or missing. Failure to follow these rules may result in serious injury.
2. Keep clear of the cables and all moving parts when the machine is in use.
3. Always make sure all Snap Links are closed when doing any cable/pulley exercises.
4. Exercise with care. Perform your exercises at a smooth moderate pace; never perform jerky or uncoordinated movements that may cause injury.
5. It is recommended that you should workout with a training partner.
6. Do not allow children or minors to play on or around this equipment.
7. If unsure of proper use of equipment, call your local Body-Solid distributor or the Body-Solid customer service department at 1-800-658-3113.
8. **WARNING:** Consult your physician before starting your exercise program. For your own safety, do not begin any exercise program without proper instruction.

RAL2-11-98

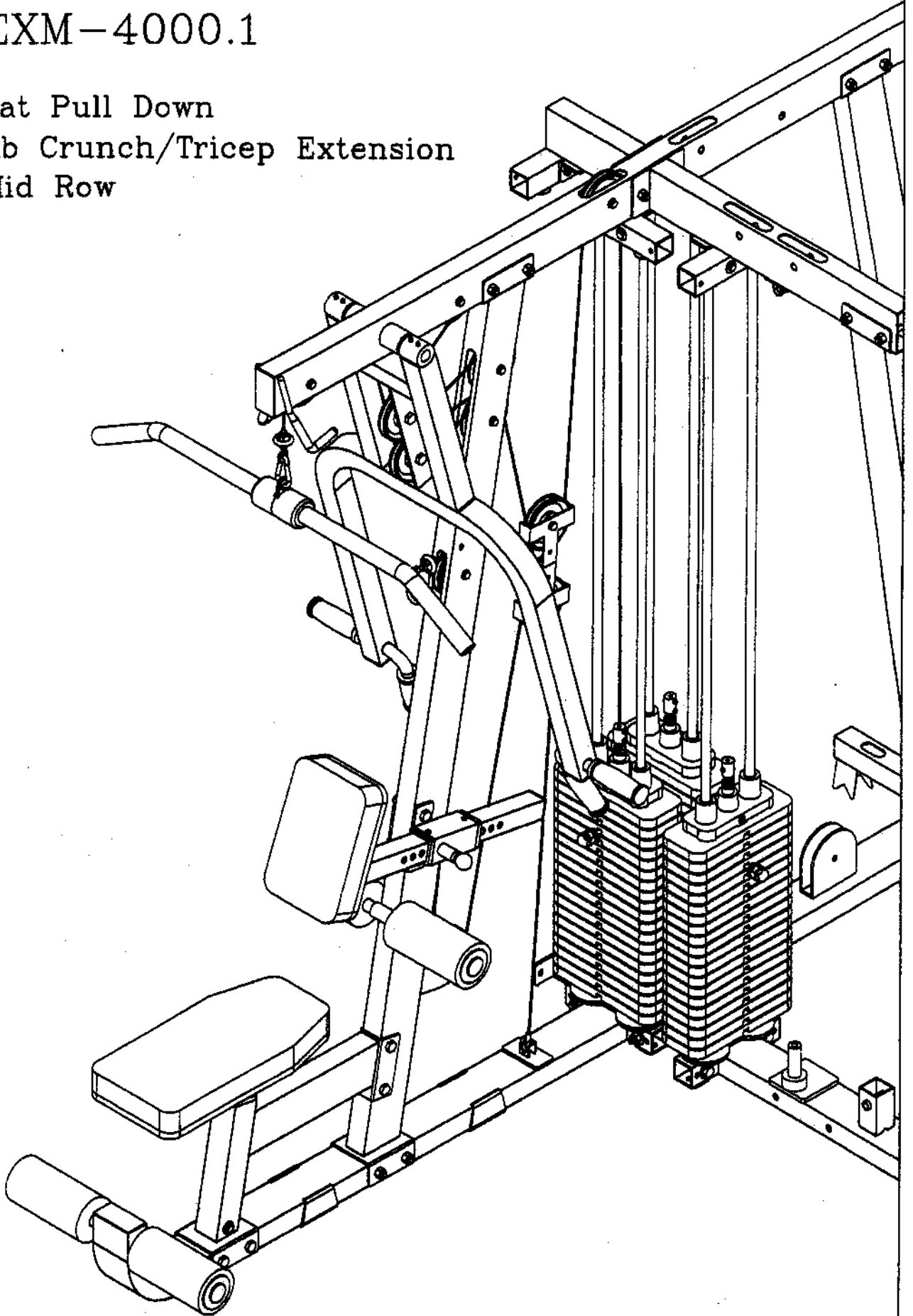


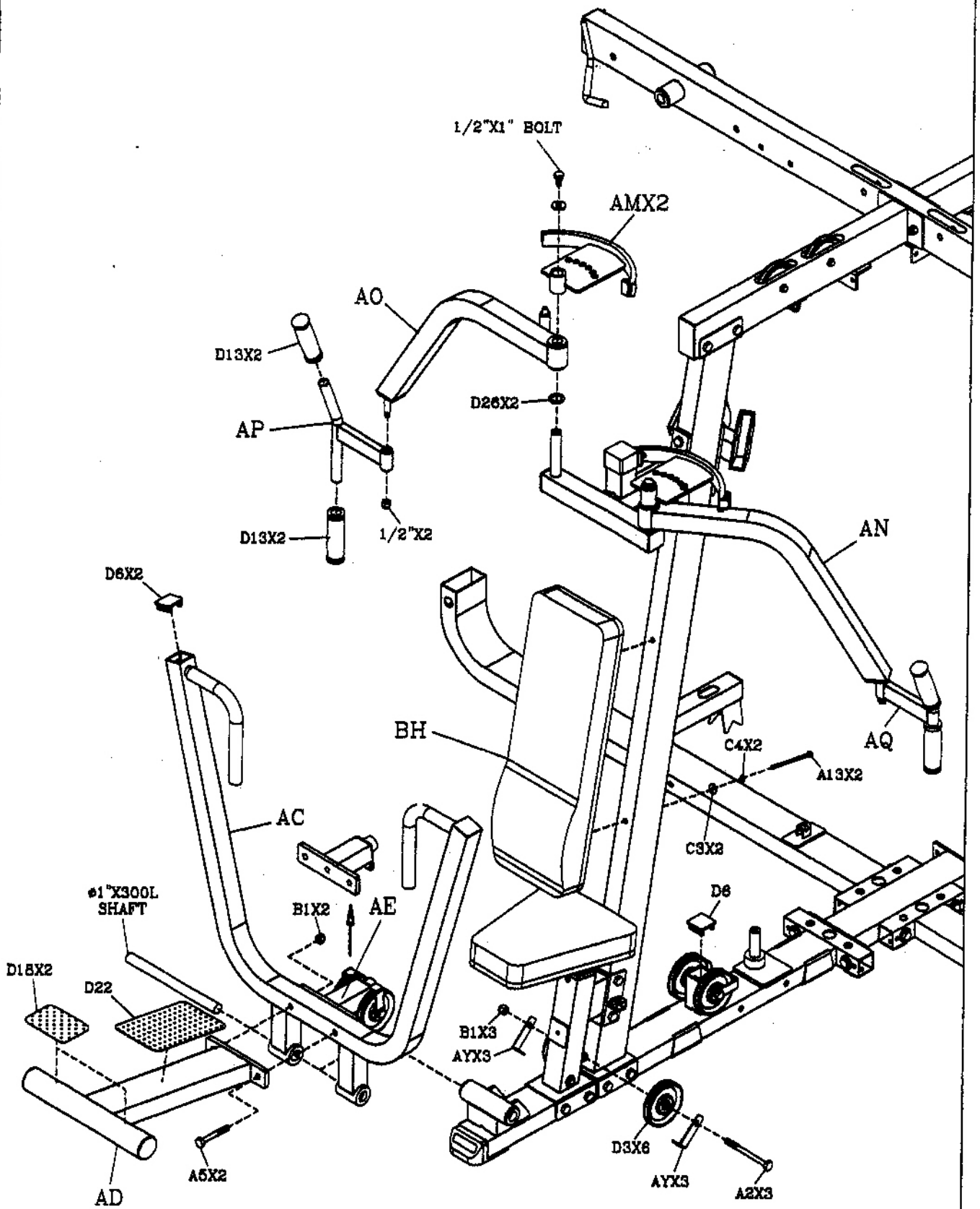
You must run cable through tubing and over pivot point/or bolts.

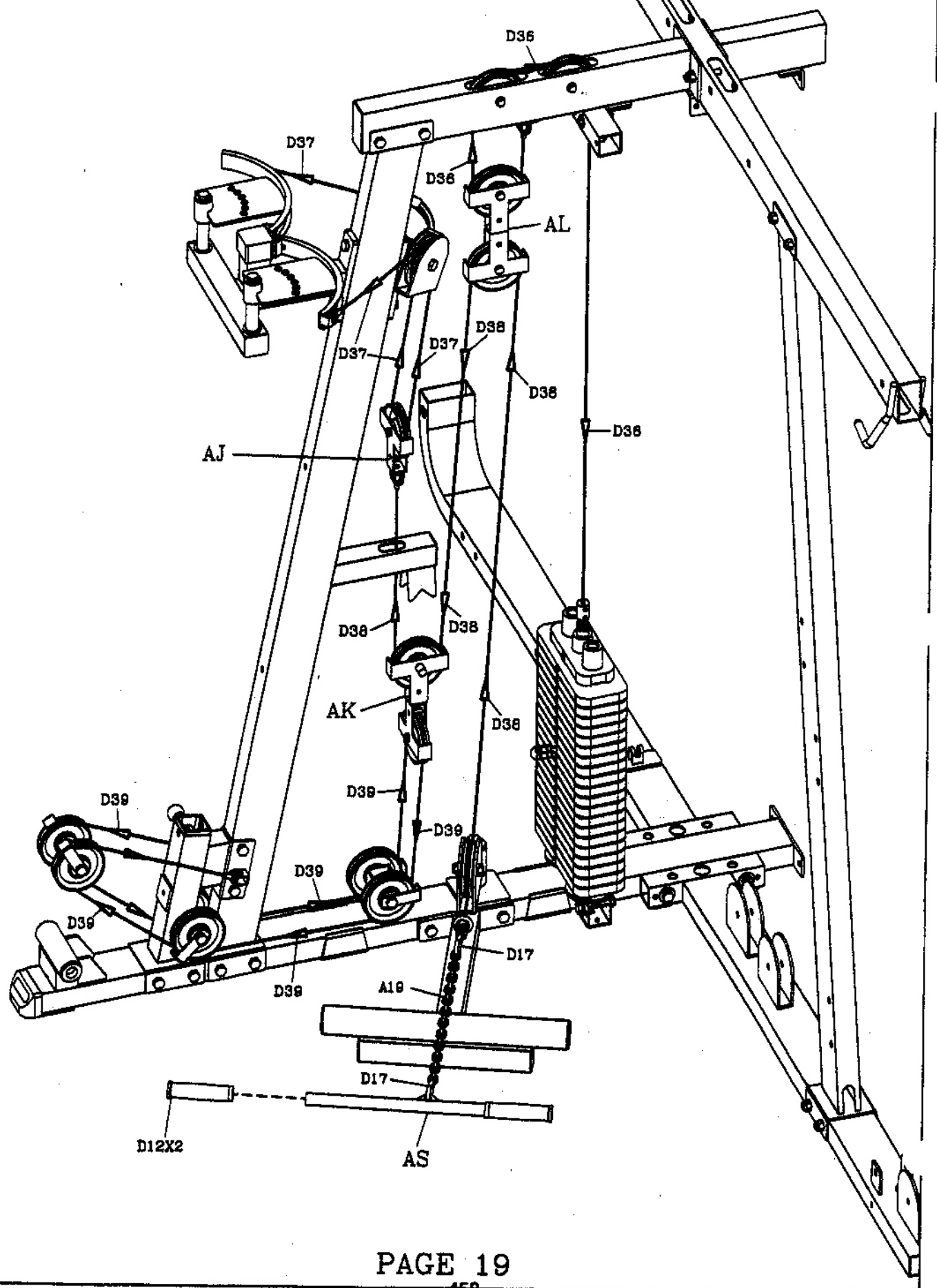


EXM-4000.1

Lat Pull Down
Ab Crunch/Tricep Extension
Mid Row

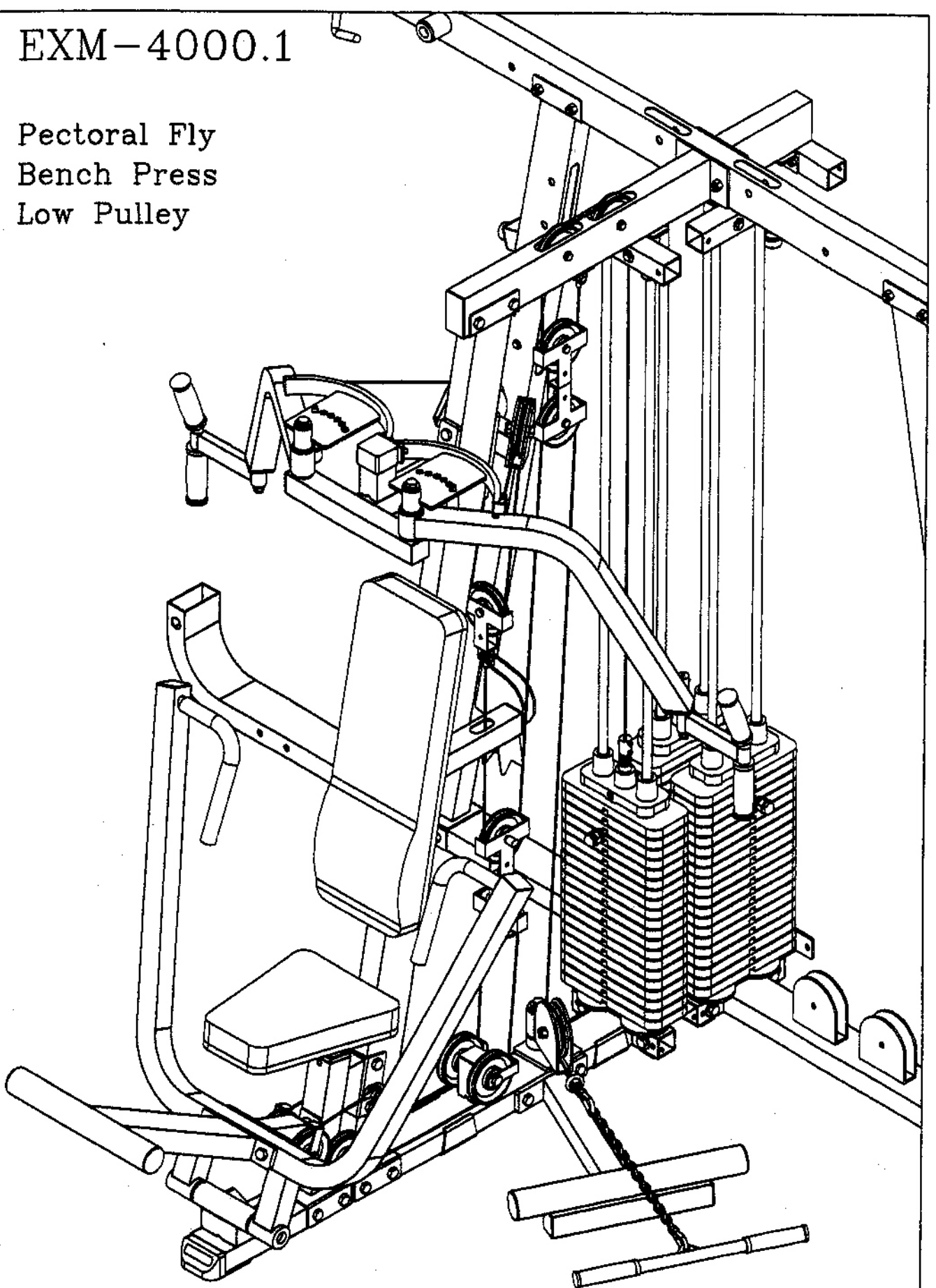






EXM-4000.1

Pectoral Fly
Bench Press
Low Pulley



EXM-4000.1

