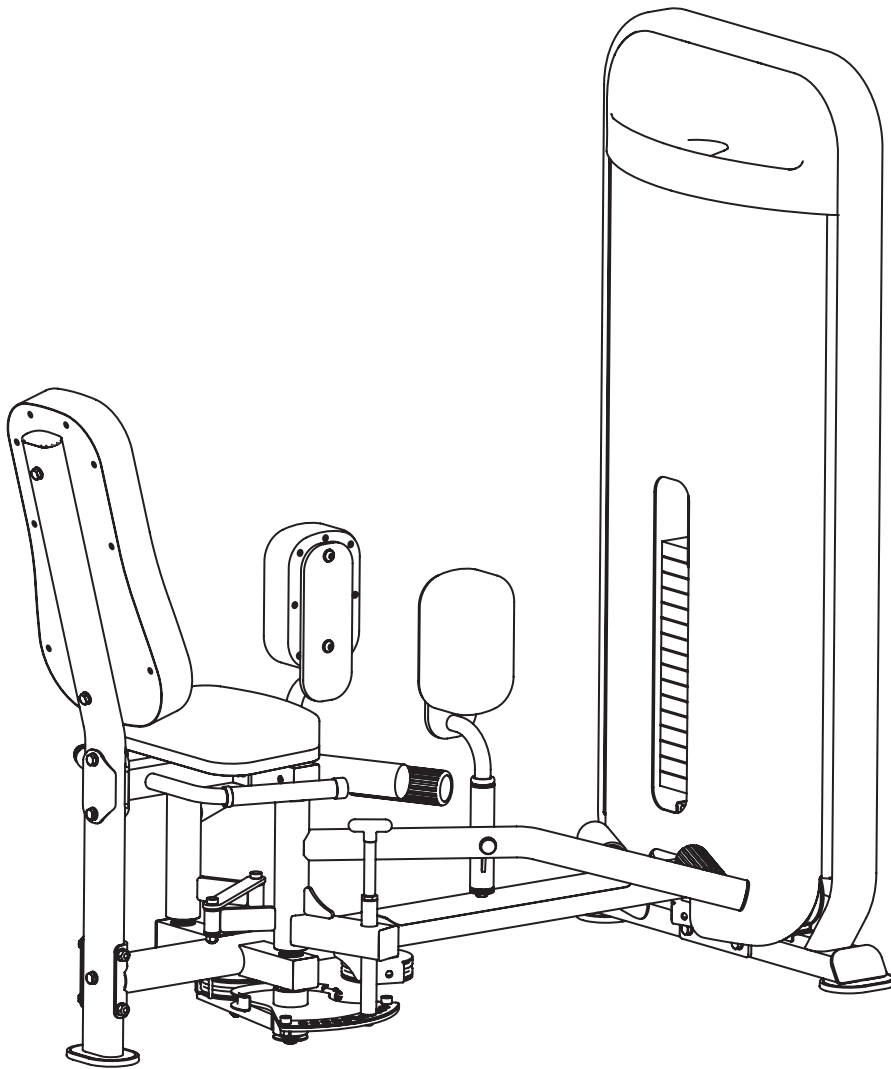


# TKO<sup>®</sup>

## 8807 Achieve Dual

Inner/Outer Thigh

### Owner's Manual



#### **! CAUTION**

Read all precautions  
and instructions in this manual  
before using this equipment

**CAUTION: THE UNIT MUST BE BOLTED TO THE FLOOR!!**

**CAUTION:** Read all precautions and instructions in this manual before using this equipment.

## Table Of Contents

Important Safety Instructions-----	3
Instructions-----	5
Parts List-----	6
Exploded View -----	7
Measurement Guide-----	8
Assembly Instructions-----	9
Assembly-----	10
Adjust Instructions-----	22
Maintenance Schedule-----	23
General Maintenance Information-----	24
Weight Training Tips-----	25

## Important Safety Instructions

Before beginning any fitness program, you should obtain a complete physical examination from your physician. When using exercise equipment, basic precautions should always be taken, including the following:

1. Read all instructions before using the equipment.  
These instructions are written to ensure your safety and to protect the unit.
2. Use the equipment only for its intended purpose as described in this guide.  
Do not use accessory attachments that are not recommended by the manufacturer: such attachments might cause injuries.
3. The product should only be used on a level surface and is with 0.5 meters space around the product.  
Do not use the equipment outdoors.
4. Do not allow children on or near the equipment. And children are not allowed to use this equipment.  
Teenagers should use this equipment with adult supervision.
5. Do not overexert yourself or work to exhaustion.  
Do not attempt to lift more weight than you can control safely.  
If you feel any pain or abnormal symptoms, stop your workout immediately and consult your physician.
6. This equipment is not used as medical apparatus and instruments.
7. Never operate the unit when it has been dropped or damaged.  
Never drop or insert anything into any opening in the equipment.  
Always check the unit and its cables before each use. Make sure that all fasteners and cables are secure and in good working condition.  
Frayed or worn cables can be dangerous and may cause injury. Periodically check these cables for any indication of wear.  
Keep hands, limbs, loose clothing and long hair well out of the way of moving parts.
8. Be careful when getting on or off the equipment.
9. Wear proper exercise clothing and shoes for your workout, no loose clothing.

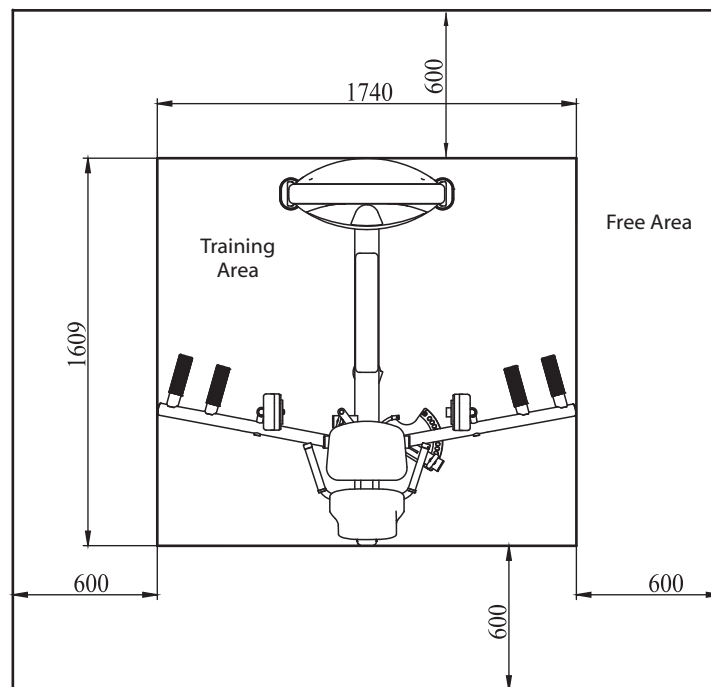
## Important Safety Instructions

### Personal Safety During Assembly

Read each step in the assembly instructions and follow the steps in sequence. Do not skip ahead. If you skip ahead, you may learn later that you have to disassemble components and that you may have damaged the equipment.

Assemble and operate the equipment on a solid, level surface. Locate the unit a few feet from walls or furniture to provide easy access. The equipment is designed for your enjoyment. By following these precautions and using common sense, you will have many safe and pleasurable hours of healthful exercise with the equipment.

### Training Area and Free Area



### Specifications

Class: S

Maximum User Weight: 150kg/ 330lbs

Maximum Wt. Capacity: 113Kg/ 250lbs

Product Total Surface: 1609\*722 mm

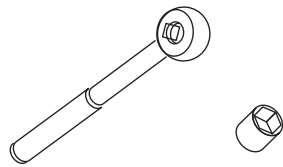
Product Total Mass: 99kg/ 218lbs

## Instructions

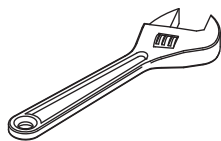
Before beginning assembly please take the time to read instructions thoroughly. Please use the various lists in this manual to make sure that all parts have been included in your shipment. When ordering, use part number and description from the lists. Use only our replacement part when servicing. Failure to do so will void your warranty and could result in personal injury.

The equipment is designed to provide the smoothest, most effective exercise motion possible. After assembly, you should check all functions to ensure correct operation. If you experience problems, first recheck the assembly instructions to locate any possible errors made during assembly. If you are unable to correct the problem, call your authorized dealer. Be sure to have your serial number and this manual when calling. When all parts have been accounted for, continue on.

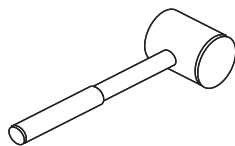
## Tools Required



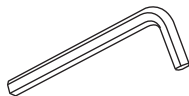
Ratchet Wrench and Socket



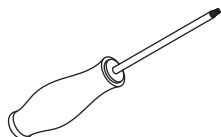
Adjustable Wrench



Rubber Mallet



Hex Key Wrench Set



Phillips Screwdriver

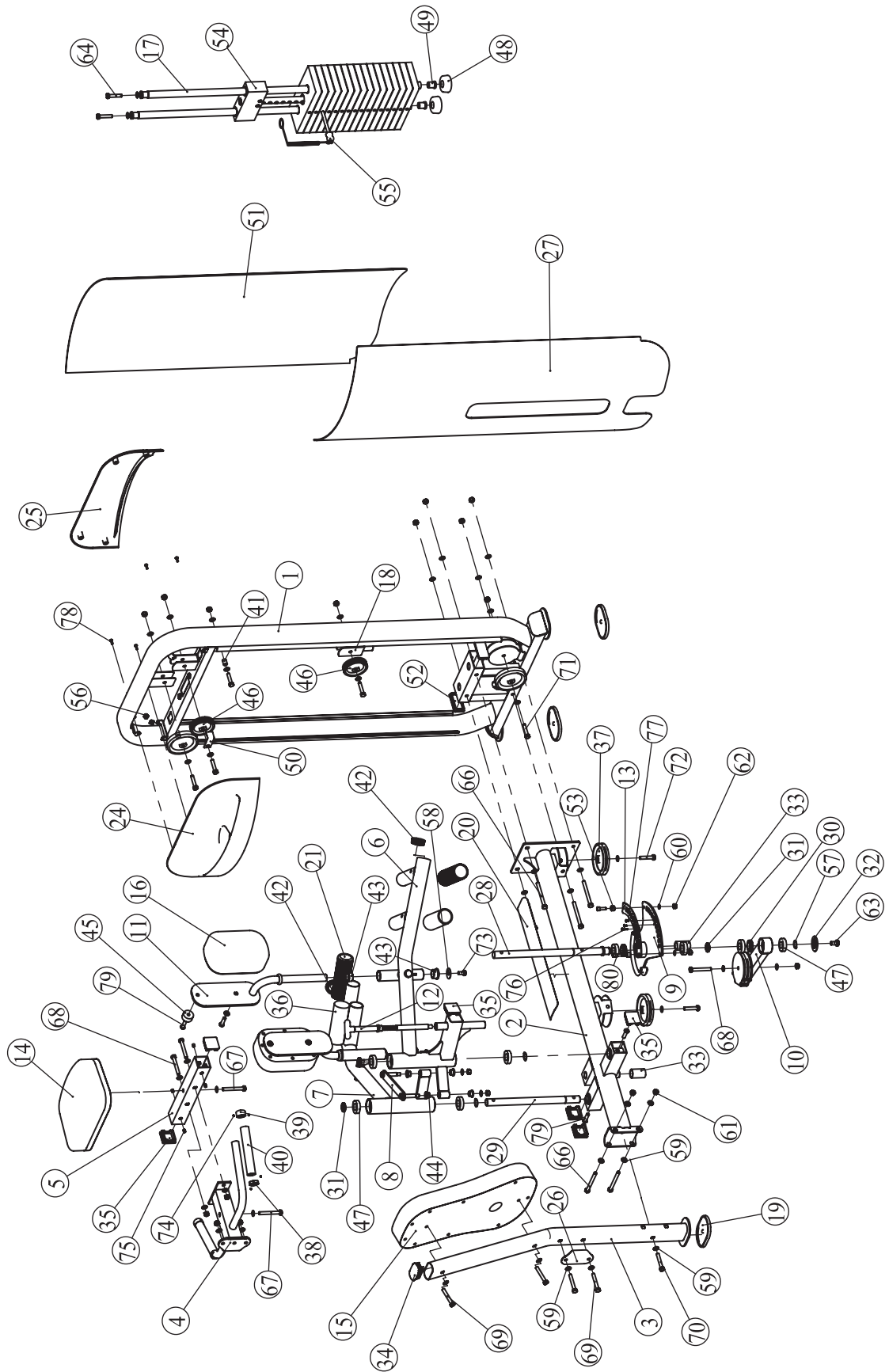
## Parts List

**NOTE: SOME OF THESE PARTS MAY COME PRE-INSTALLED**

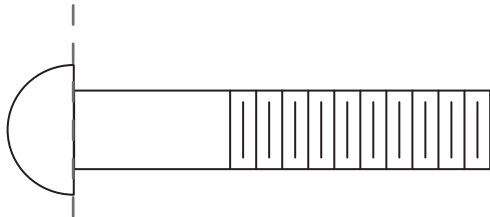
Item No.	Description	Qty	Item No.	Description	Qty
1	Weight Stack Frame	1	42	Plug $\Phi 50 \times 18.5$	2
2	Bottom Cross Brace	1	43	Bushing $\Phi 38 \times \Phi 25.4 \times 18$	4
3	Back Pad Frame	1	44	Bushing $\Phi 25 \times \Phi 12.2 \times 13$	4
4	Seat Pad Frame	1	45	Rubber Bumper	1
5	Pivot Axle Support Tube	1	46	3.5" Pulley	2
6	Right Arm	1	47	Bearing	8
7	Left Arm	1	48	Weight Rubber Bumper	2
8	Pivot Actuator Plate	1	49	Guide Rubber Bumper	4
9	Adjustable Cam	1	50	Pulley Prevent Bracket	1
10	Cam Support Tube	1	51	Bottom Rear Shroud	1
11	Leg Pad Pivot Bracket	2	52	Plug $\square 40 \times 80$	2
12	Pin	1	53	Rubber Limited	2
13	Adjustable Plate	1	54	Top Plate	1
14	Seat Pad	1	55	Selector Pin W/Coil	1
15	Back Pad	1	56	M5 U-Style Tapped Hole Nut	4
16	Leg Pad	2	57	Retaining Snap Ring d=25	3
17	Guide Rod	2	58	Flat Washer $\Phi 11 \times \Phi 38 \times 2$	2
18	Floating Pulley Bracket	1	59	Flat Washer $\Phi 10 \times \Phi 20 \times 2$	46
19	Foot Pad	3	60	Flat Washer $\Phi 9 \times \Phi 16 \times 1.6$	2
20	Resilient Treads	1	61	M10 Nylon lock Nut	18
21	Rubber Tube $\Phi 48 \times \Phi 56 \times 164$	2	62	M8 Nylon lock Nut	2
22	Floating Pulley Cable	1	63	Hex Head Bolt M12*20	1
23	Main Cable	1	64	Hex Head Bolt M10*50(Whole Screw)	2
24	Top Front Shroud	1	66	Hex Head Bolt M10*105	6
25	Top Rear Shroud	1	67	Hex Head Bolt M10*80	2
26	Outer Fix Plate90	1	68	Hex Head Bolt M10*75	3
27	Bottom Front Shroud	1	69	Hex Head Bolt M10*68	4
28	Pivot Axle 2	1	70	Hex Head Bolt M10*60	1
29	Pivot Axle 1	1	71	Hex Head Bolt M10*50	4
30	Sleeve	2	72	Hex Head Bolt M10*45	3
31	$\Phi 32 \times \Phi 26 \times 5$ Washer	4	73	Hex Head Bolt M10*20	2
32	End Cap	1	74	Socket Set Screw 10-32*3.2	8
33	Rubber Tube $\Phi 32 \times \Phi 25.3 \times 50$	2	75	Socket Set Screw M8*10	4
34	Plug $40 \times 80 \times 20$	1	76	Pan Head Phillips Screw M4*20	1
35	Plug $\square 50$	6	77	Flat Philips Screw M4*10	2
36	$\Phi 48 \times \Phi 54 \times 152$	2	78	Pan Head Phillips Screw M5*15	8
37	4.5" Pulley	5	79	Button Head Cap Screw M10*40	6
38	$\Phi 25.4$ Ring	2	80	Socket Head Cap Screw M8*25	2
39	$\Phi 25.4$ End Cap	2	81	Hex Key S=4	1
40	Grip	2	82	Hex Key S=6	1
41	$\Phi 10 \times \Phi 14 \times 20$ Bushing	1	83	Lube	1

**! There are two configuration of weights: 250LBS(sixteen 15LBS Weight Plate) and 170LBS(sixteen 10LBS Weight Plate), please see following form for details.**

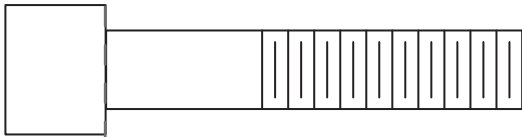
# Exploded View



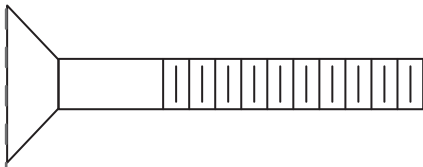
# Measurement Guide



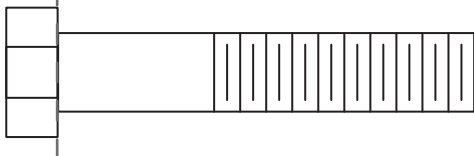
BHCS = Button Head Cap Screw



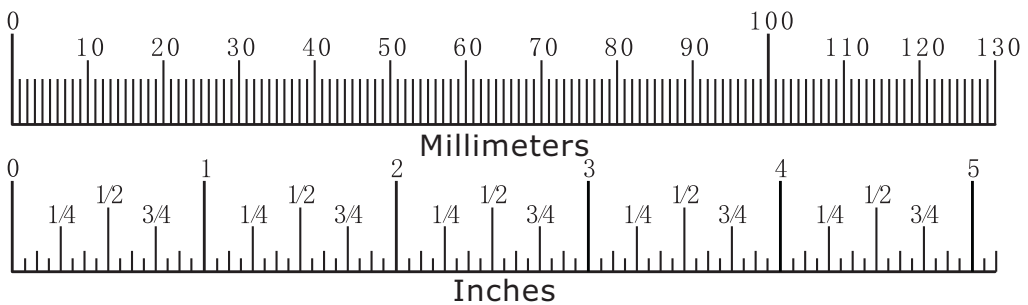
SHCS = Socket Head Cap Screw



FHCS = Flat Head Cap Screw



HHB = Hex Head Bolt



Diameter of bolt (mm/inch)	M6(1/4")	M8(5/16")	M10(3/8")	M12(1/2")	M16(5/8")
Tightening torque (N.m)	9~12	22~30	45~59	78~104	193~257
Operational methods for adult men	The strength of the wrist	The strength of the wrist and forearm	The strength of the entire arm	The strength of the arm and upper body	with all strength



## Assembly Instructions

Assembly of the equipment takes professional installers about 2 hours. If this is the first time you have assembled this type of equipment, plan to spend more time. It is strongly recommended to assemble the equipment by professional installers. You may find it quicker, safer, easier to assemble this equipment with the help of a friend, as some of components may be large, heavy or awkward to handle alone. It is important that you assemble your product in a clean, clear, uncluttered area. This will enable you to move around the product while you are fitting components and reduce the possibility of injury during assembly.

### **NOTE**

As with any assembled part, proper alignment and adjustment is critical. While tightening the fasteners, be sure to leave room for adjustments. Do not fully tighten the fasteners until instructed to do so. Be careful to assemble the components in the sequence presented in this guide.

# Assembly

## Step 1

Attach Adjustable Cam (#9), Cam Support Tube (#10) to Pivot Axle 2 (#28), using:

two  $\Phi 32 \times \Phi 26 \times 5$  Washer (#31)  
one End Cap (#32)

one  $d=25$  Retaining Snap Ring (#57)  
one M12\*20 HHB (#63)

**NOTE: Make sure the poison of the Adjustable Cam and Cam Support Tube is correct.**

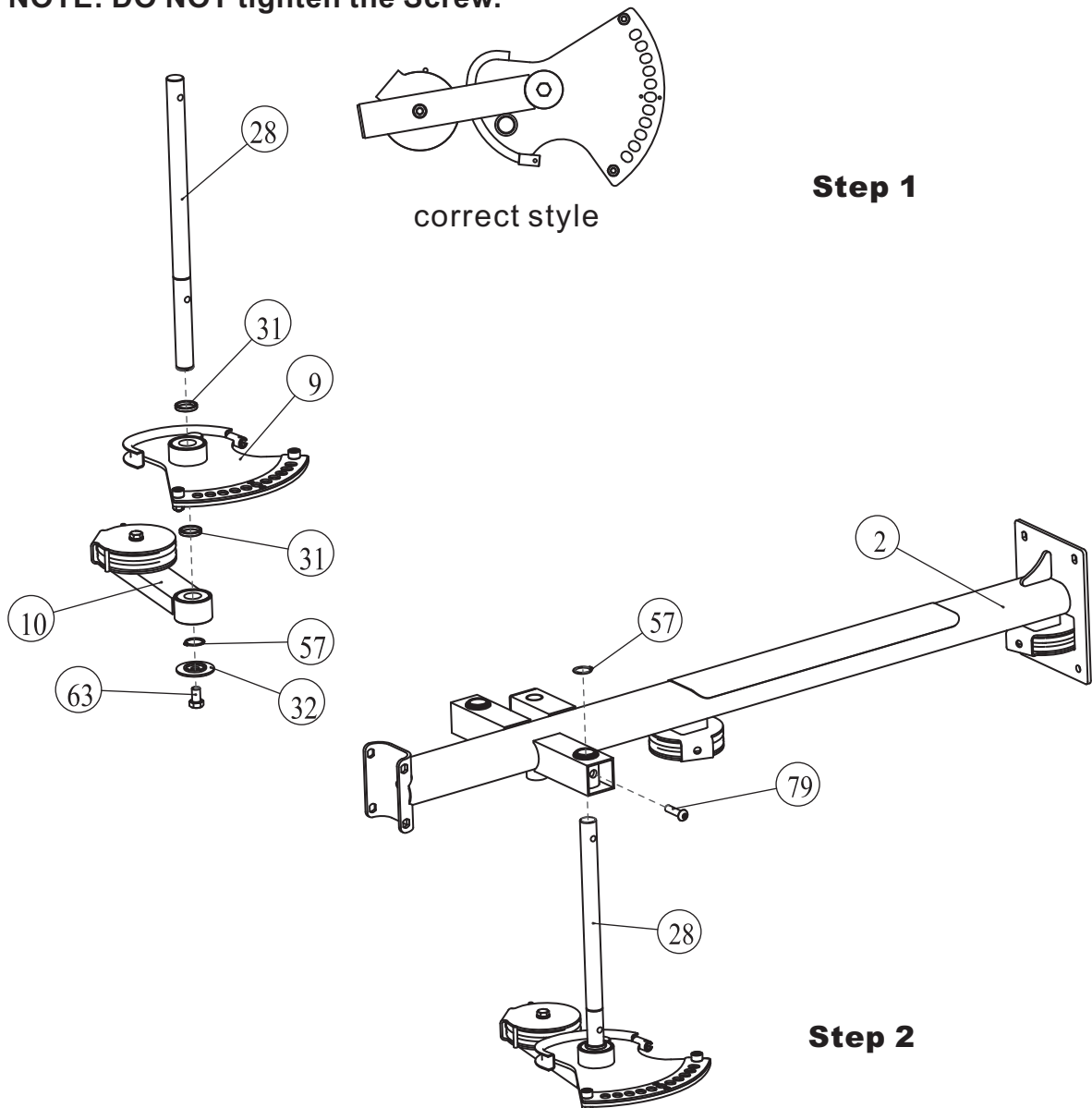
## Step 2

Attach Pivot Axle 2 (#28) to Bottom Cross Brace (#2), using:

one  $d=25$  Retaining Snap Ring (#57)

one M10\*40 BHCS (#79)

**NOTE: DO NOT tighten the Screw.**



# Assembly

## Step 3

Attach Weight Stack Frame (#1), Back Pad Frame (#3) to Bottom Cross Brace (#2), using:

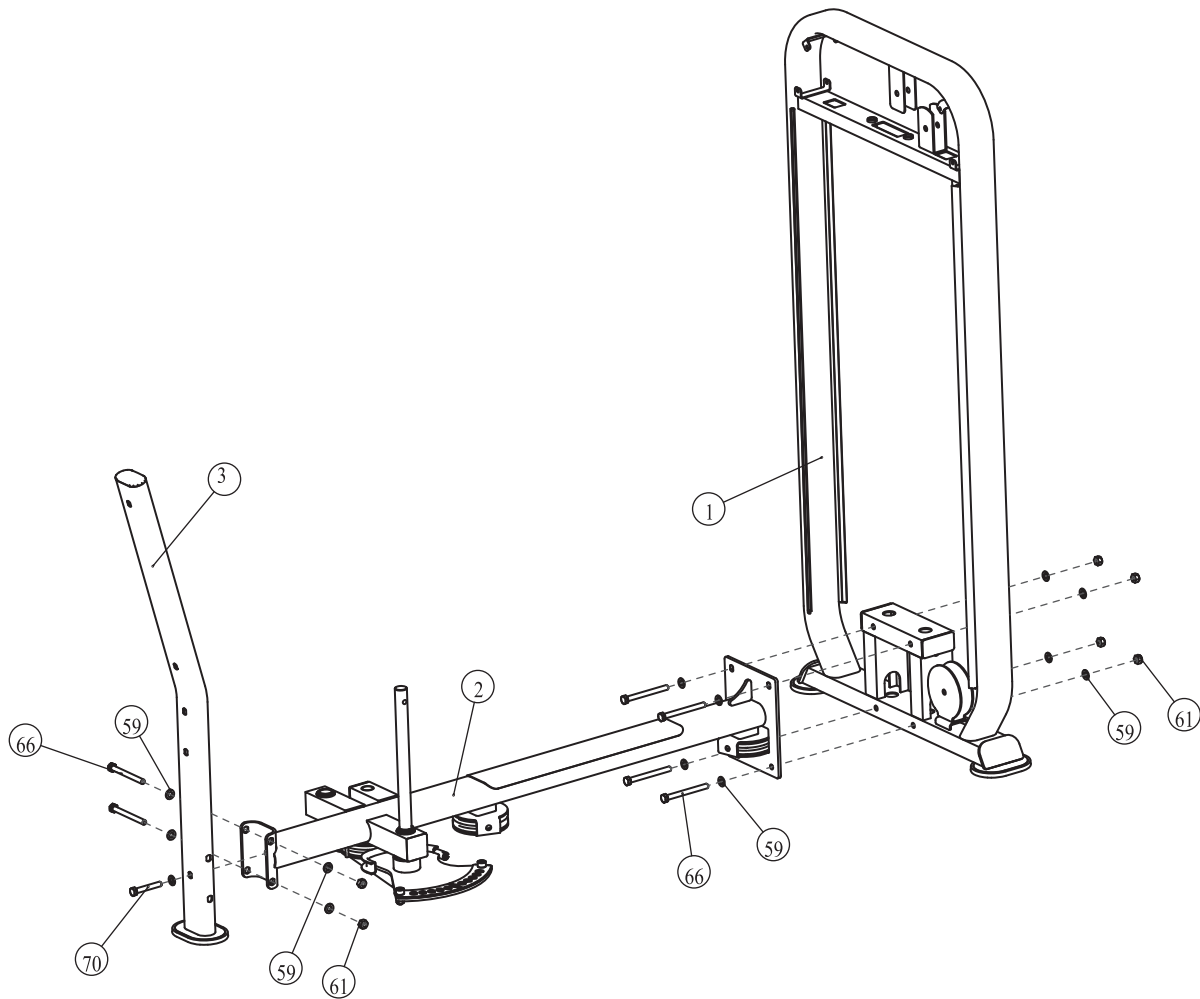
six M10\*105 HHB (#66)

one M10\*60 HHB (#70)

thirteen  $\Phi 10^* \Phi 20^* 2$  Flat Washer (#59)

six M10 Nylon lock Nut (#61)

**NOTE: DO NOT tighten the Bolt.**



# Assembly

## Step 4

Attach Right Arm (#6), Left Arm (#7), Pivot Actuator Plate (#8), Pivot Axle 1 (#29) to Bottom Cross Brace (#2), using:

one d=25 Retaining Snap Ring (#57)

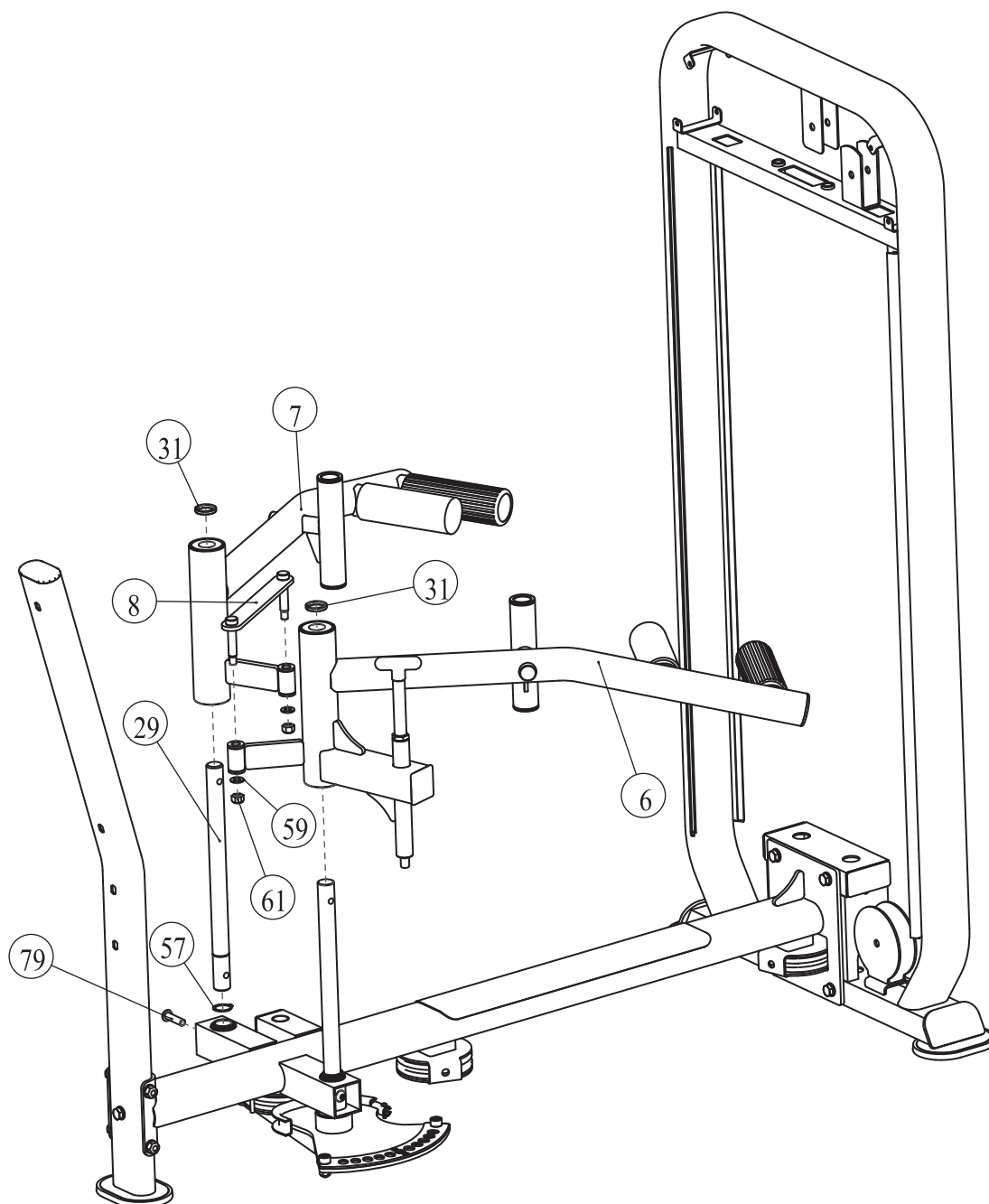
one M10\*40 BHCS (#79)

two  $\Phi 10*\Phi 20*2$  Flat Washer (#59)

two M10 Nylon lock Nut (#61)

two  $\Phi 32*\Phi 26*5$  Washer (#31)

**NOTE: DO NOT tighten the Bolt.**



# Assembly

## Step 5

Attach Seat Pad Frame (#4), Pivot Axle Support Tube (#5), Outer Fix Plate 90 (#26) to Back Pad Frame (#3), using:

two M10\*75 HHB (#68)

two M10\*68 HHB (#69)

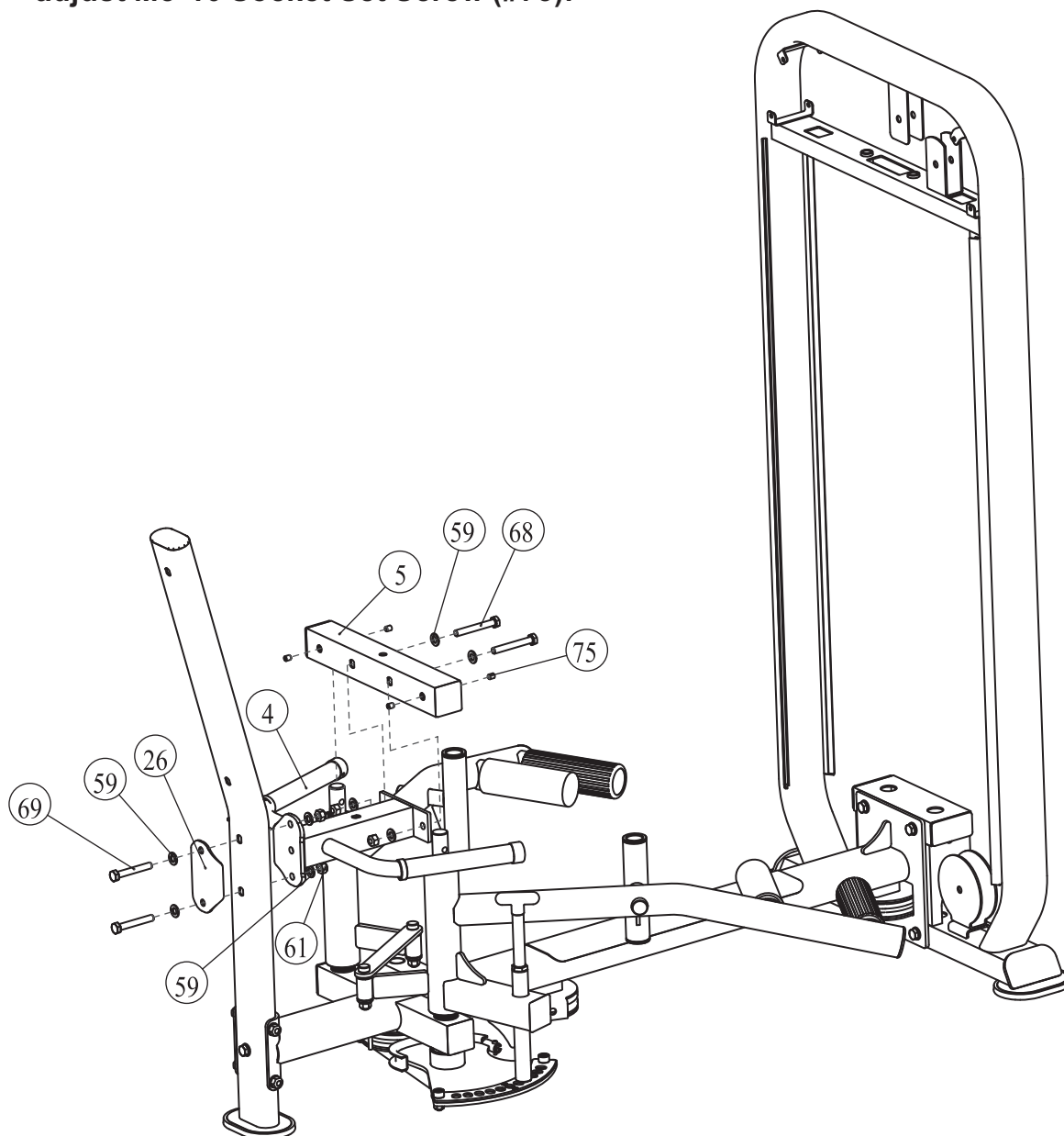
eight  $\Phi 10 \times \Phi 20 \times 2$  Washer (#59)

four M10 Nylon lock Nut (#61)

four M8\*10 Socket Set Screw (#75)

### NOTE:

1. Tighten the Bolt and screw.
2. Make sure Right Arm (#6) and Left Arm (#7) is consistent according to adjust M8\*10 Socket Set Screw (#75).



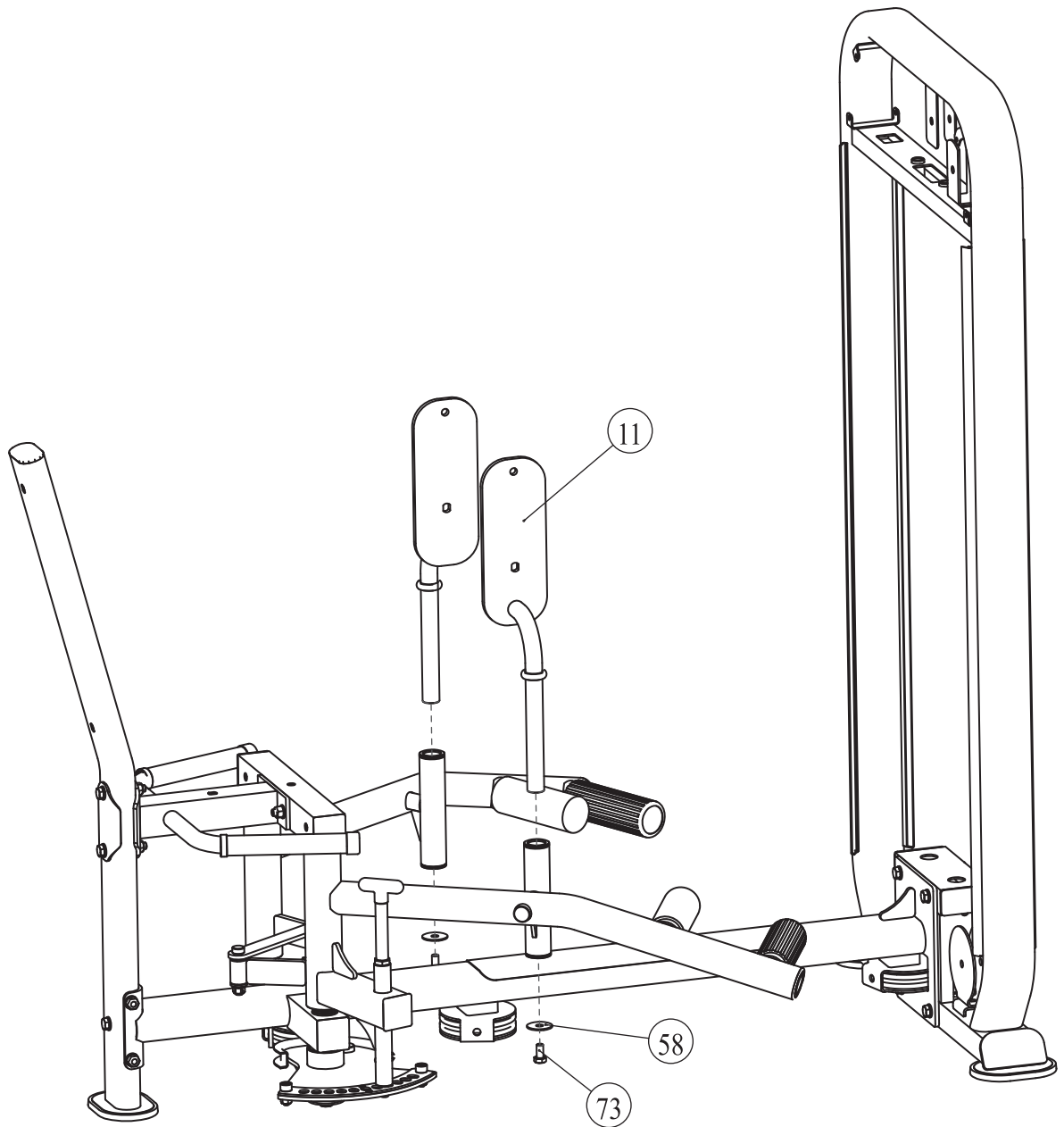
# Assembly

## Step 6

Attach two Leg Pad Pivot Bracket (#11) to Right Arm (#6) and Left Arm (#7), using:

two  $\Phi 11 \times \Phi 38 \times 2$  Washer (#58)

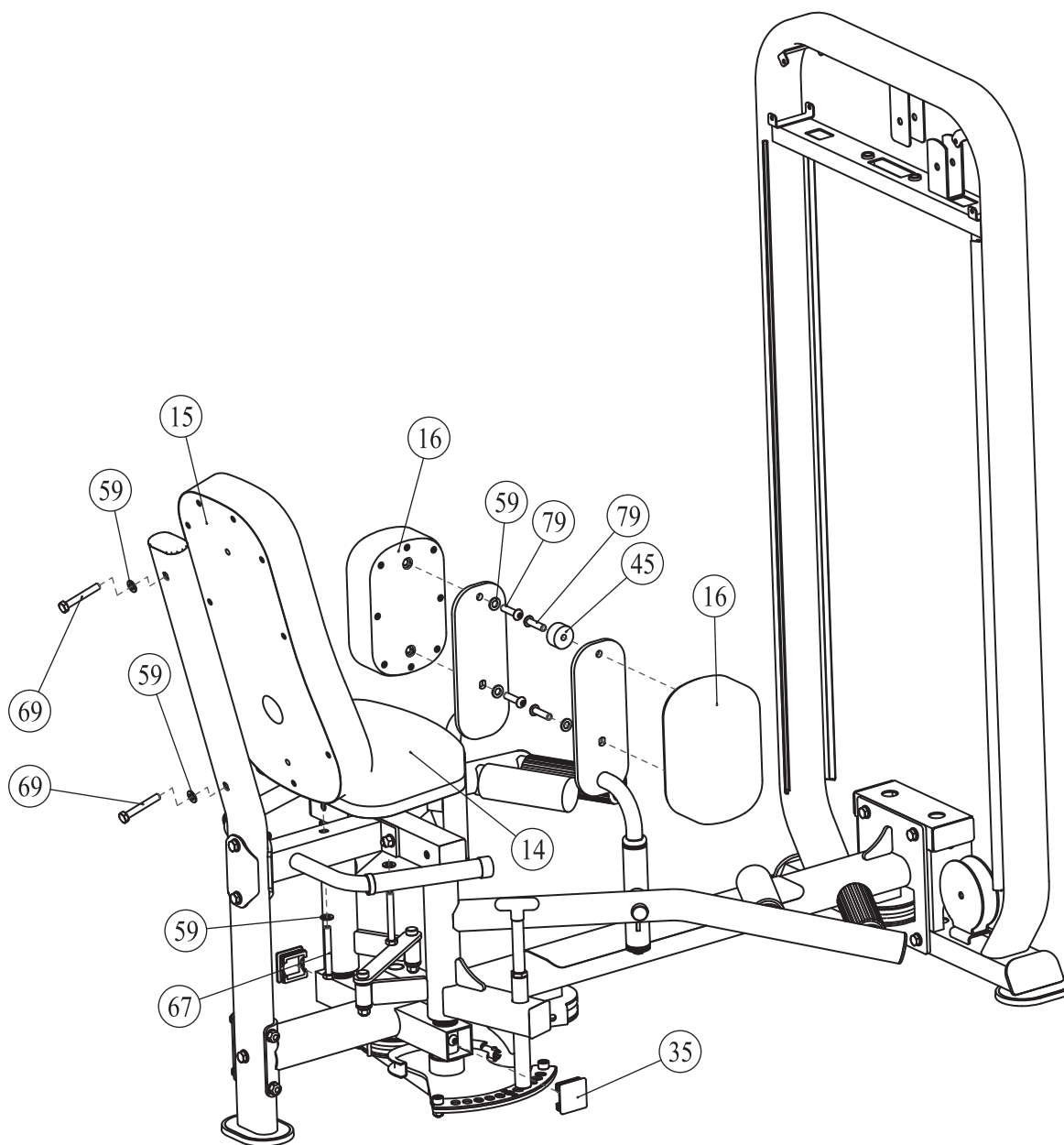
two M10\*20 HHB (#73)



# Assembly

## Step 7

1. Attach Back Pad (#15) to Back Pad Frame (#3), using:  
two M10\*68 HHB (#69)                      two  $\Phi 10 \times \Phi 20 \times 2$  Washer (#59)
2. Attach Seat Pad (#14) to Seat Pad Frame (#4) and Pivot Axle Support Tube (#5), using:  
two M10\*80 HHB (#67)                      two  $\Phi 10 \times \Phi 20 \times 2$  Washer (#59)
3. Attach 2 Leg Pad (#16) to Leg Pad Pivot Bracket (#11), using:  
four M10\*40 BHCS (#79)                      three  $\Phi 10 \times \Phi 20 \times 2$  Washer (#59)  
one Rubber Bumper (#45)



# Assembly

## Step 8

### Attach

two Guide Rod (#17)

two Weight Rubber Bumper (#48)

sixteen Weight Plate

to Weight Stack Frame (#1), using:

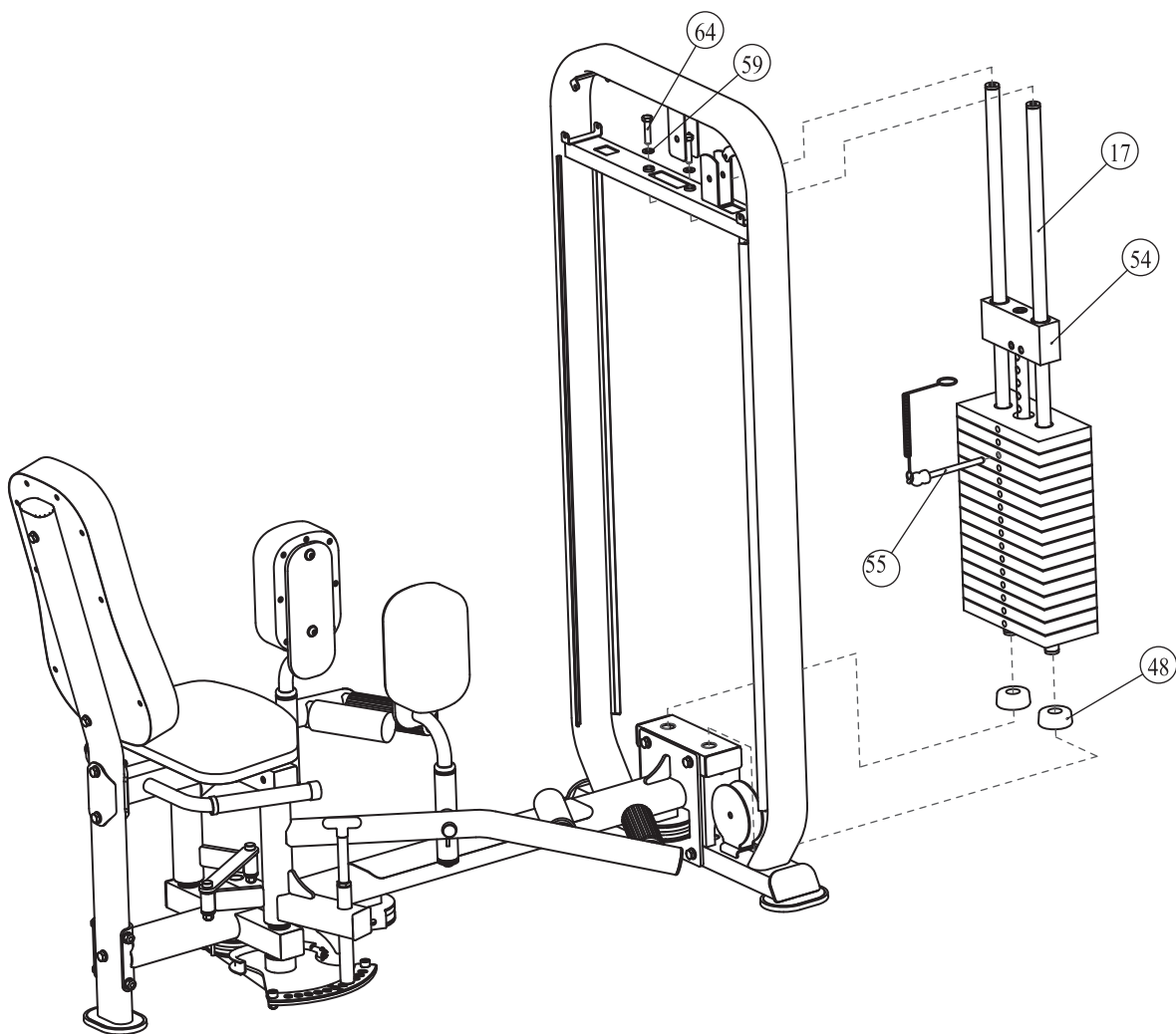
two M10\*50 (Whole Screw) HHB (#64)

one Top Plate (#54)

one Selector Pin W/Coil (#55)

two  $\Phi 10 \times \Phi 20 \times 2$  Washer (#59)

**! There are two configuration of weights: 250LBS(sixteen 15LBS Weight Plate) and 170LBS(sixteen 10LBS Weight Plate), please see following form for details.**

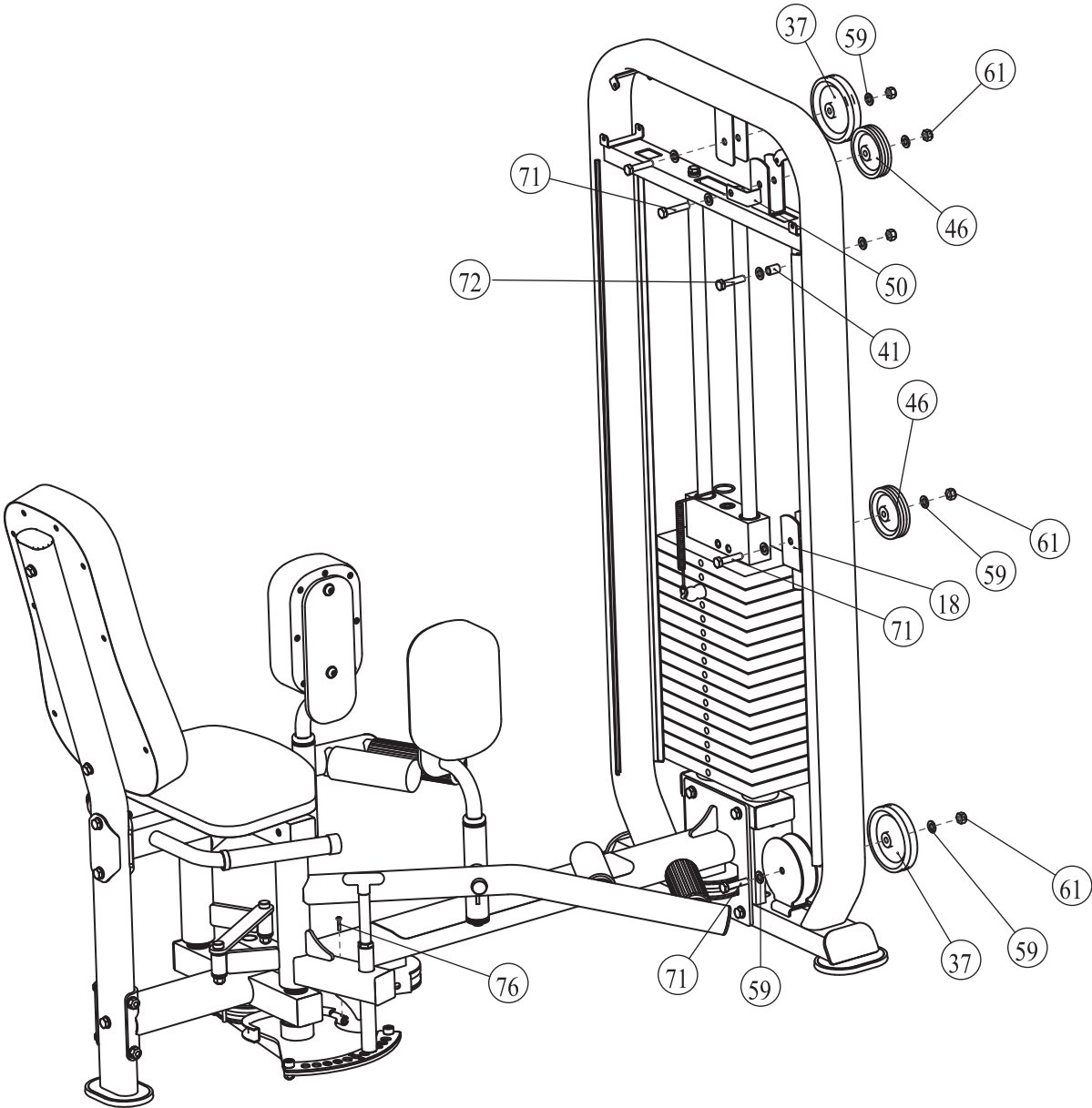






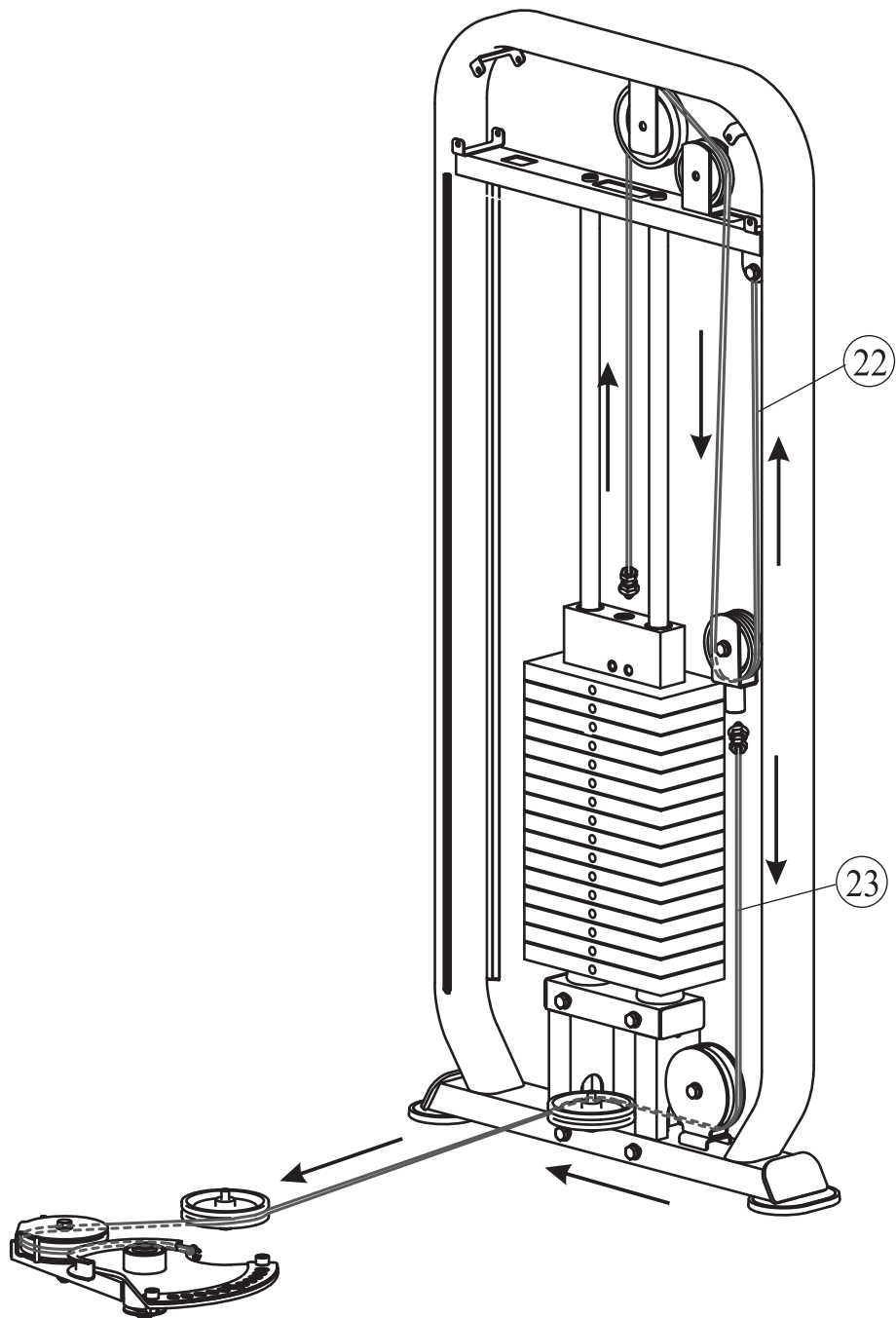
# Assembly

## Step 9



# Assembly

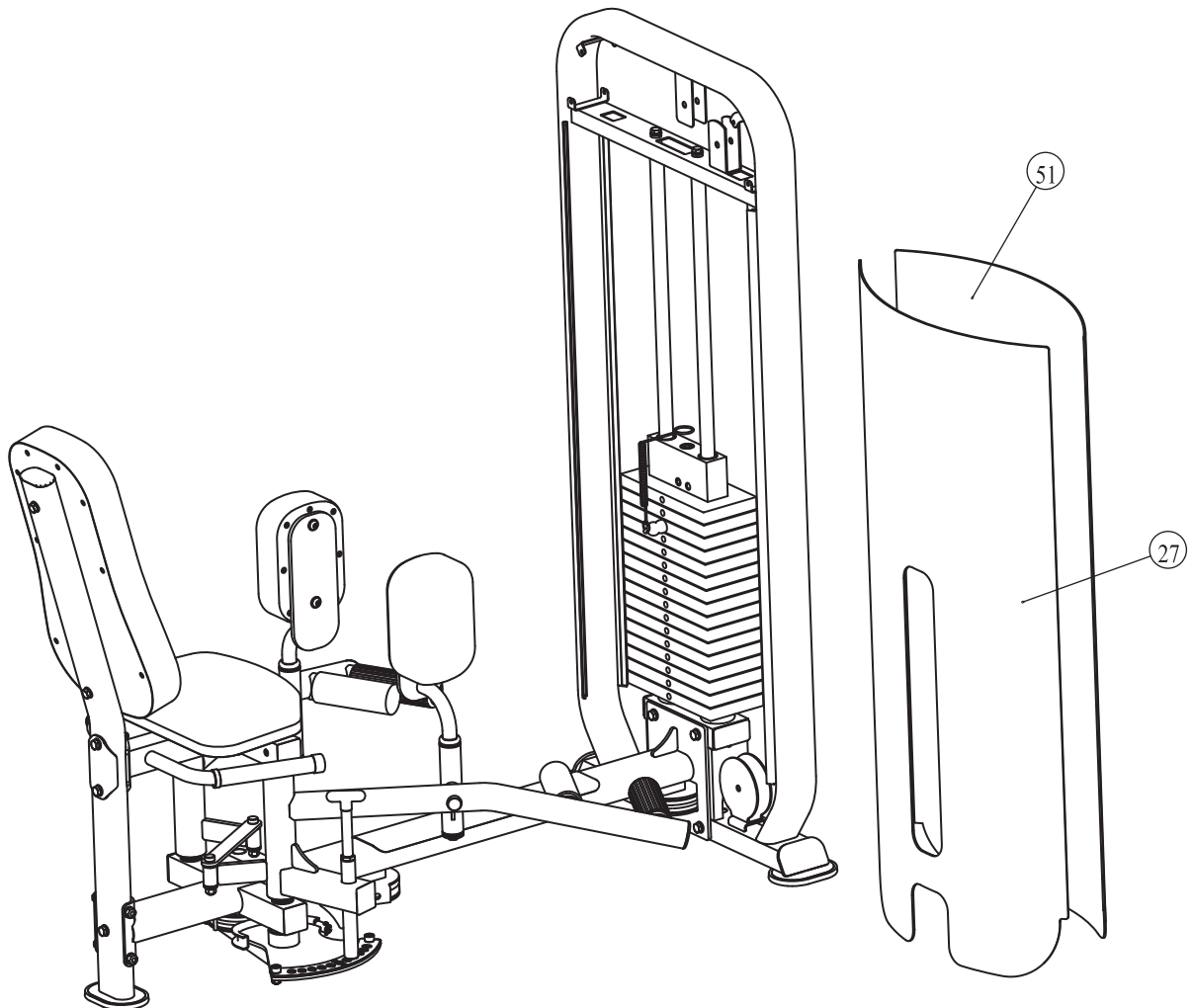
## Step 9



# Assembly

## Step 10

Attach Bottom Front Shroud (#27) and Bottom Rear Shroud (#51) to Weight Stack Frame (#1).

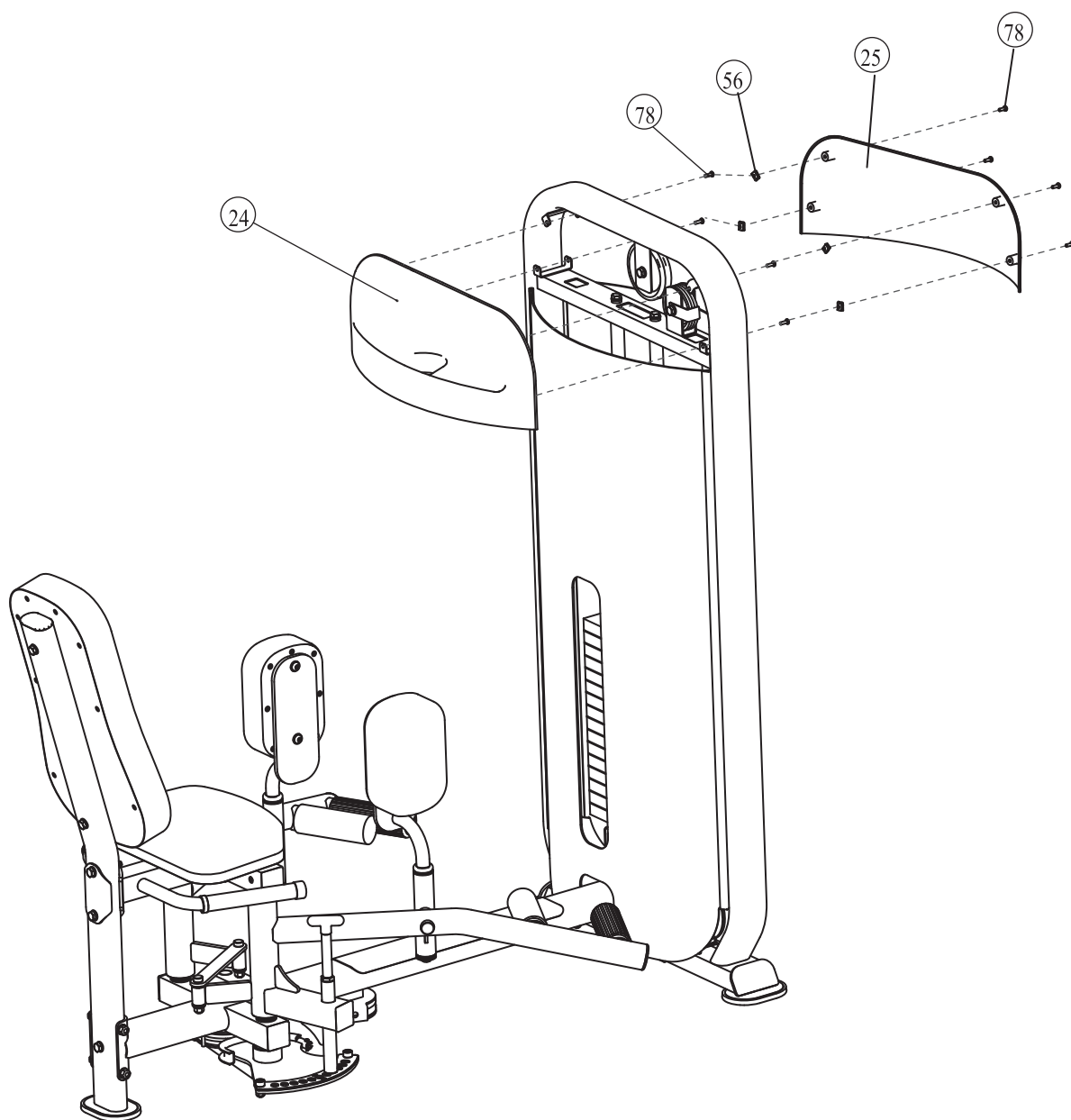


# Assembly

## Step 11

1. Attach Top Front Shroud (#24) to Weight Stack Frame (#1), using:  
four M5\*15 Pan Head Phillips Screw (#78)
2. Attach Top Rear Shroud (#25) to Weight Stack Frame (#1), using:  
four M5\*15 Pan Head Phillips Screw (#78)  
four M5 U-Style Tapped Hole Nut (#56)

**NOTE: The flat plate of the U-Style Tapped Hole must be towards outside of the Weight Stack Frame(#16).**



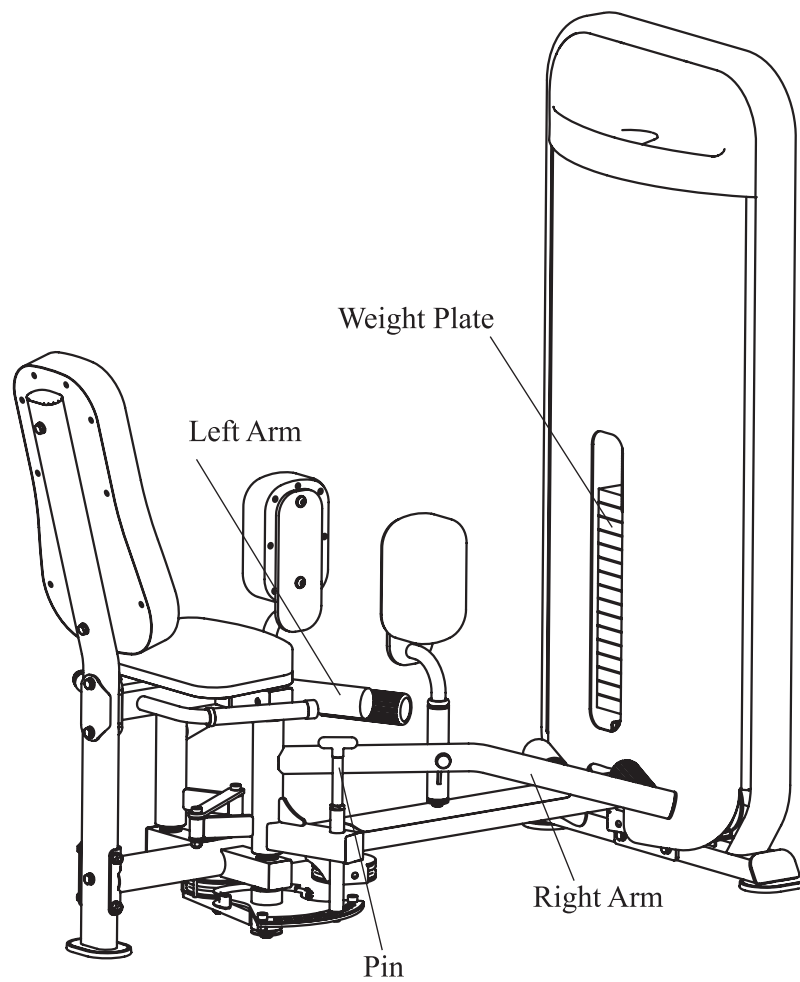
## Adjust Instructions

### Function adjustment

1. Pull the Pin and adjust leg arms to the desired position.
2. Make sure that the pin gets into the hole completely.

### The use of Selector Pin

1. Select an appropriate weight and put the Selector Pin into the hole on it.
2. Make sure that the Selector Pin gets into the hole completely.



# Maintenance Schedule

ROUTINE	COMMERCIAL MAINTENANCE	HOME MAINTENANCE	LATEST DATE ENTRY						
Inspect; Links, Pull Pins, Snap Locks, Swivels, Weight Stack Pins	DAILY	WEEKLY							
Clean; Upholstery	DAILY	WEEKLY							
Inspect; Cables or Belts and their tension	DAILY	WEEKLY							
Inspect; Accessory Bars, and Handles	WEEKLY	3 MONTHS							
Inspect; All Decals	WEEKLY	3 MONTHS							
Inspect; All Nuts and Bolts, Tighten if needed	WEEKLY	3 MONTHS							
Inspect; Anti-Skid Surface	WEEKLY	3 MONTHS							
Clean & Lubricate; Guide Rods with a Teflon (PTFE) based lubricant (Superlube)	MONTHLY	3 MONTHS							
Lubricate; Seat Sleeves, Turcite Bushings, Linear Bearing	MONTHLY	3 MONTHS							
Clean and Wax; All Glossy Finishes	6 MONTHS	YEARLY							
Repack with Grease; Linear Bearings	6 MONTHS	YEARLY							
Replace; Cables, Belts and Connecting Parts	YEARLY	3 YEARS							

*Your equipment comes with a commercial maintenance decal. For personal, in home use, please follow the home maintenance schedule listed above.*

## General Maintenance Information

### **Links, Pull-Pins, Snap Hooks, Swivels, Weight Stack Pins:**

- \* Check all pieces for signs of visible wear or damage.
- \* Check springs in snap hooks and pull-pins for proper tension and alignment.
- \* If the spring sticks or has lost its rigidity, replace it immediately.

### **Upholstery:**

- \* To ensure prolonged upholstery life and proper hygiene, all upholstered pads should be wiped down with a damp cloth after every workout.
- \* Periodically take the time to use a mild soap or an approved vinyl upholstery cleaner to deter the onset of cracking or drying. Avoid using any abrasive cleaners or cleaners not intended for use on vinyl.
- \* Replace ripped or worn upholstery immediately.
- \* Keep sharp or pointed objects clear of all upholstery.

### **Decals:**

- \* Inspect and familiarize yourself with any safety warnings or other user information posted on each decal.

### **Nuts and Bolts:**

- \* Inspect all nuts and bolts for any loosening and tighten if needed.
- \* Go through a re-tightening sequence periodically to ensure that all hardware is tensioned proper.

### **Anti-Skid Surfaces:**

- \* These surfaces are designed to supply secure footing and need to be replaced if they appear worn or become slippery.

### **Belts and Cables:**

- \* We use only high quality belt, and mil-spec cables.
- \* Visually inspect the belts and cables for fraying, cracking, peeling or discoloration.
- \* While the machine is not in use, carefully run your fingers along the belt or cable to feel for thinning or bulging areas.
- \* Replace belts and cables immediately at the first signs of damage or wear. Do not use equipment until belts or cables have been replaced.

### **Belt and Cable Tension:**

- \* Referring to the Owners Manual, when belts or cables are used check all bolts attachments to be sure they are properly attached.
- \* Check slack in cables and re-adjust cable tension if needed.

### **Seat Sleeves, Guide Rods:**

- \* Wipe down adjusting tubes with a dust free rag before applying lubricant.
- \* Lubricate seat sleeves and Guide Rods with a Silicon or Teflon based lubricant spray.

### **Linear Bearings:**

- \* Referring to the Owners Manual carefully disassemble the bearing from its housing and place a finger full of light grease (lithium, super lube, etc.) into the inside of the bearing. Using your finger, press the grease into the ball-bearings and their tracks. Repeat until the ball-bearing tracks are full of grease. Insert the shaft back into the bearing and wipe off excess grease.

**PLEASE KEEP THIS FOR YOUR RECORDS**



## Weight Training Tips

Use this manual to guide you through the basic exercises you can perform on your equipment. To gain maximum results and avoid possible injury, consult a fitness professional to develop your complete exercise program.

Always consult your physician before starting any exercise program.

To be successful in your exercise program, it is important to develop an understanding of the basic principles of strength training. Now that you have your equipment, it is only natural that you want to get started immediately. First, determine a set of realistic goals and objectives for yourself. By deciding on an exercise plan that is right for you prior to starting, you will contribute significantly to your success.

Warm up properly before engaging in weight resistance training. Stretching, yoga, jogging, calisthenics or other cardiovascular exercise can help prepare your body for the heavier workload of lifting weights.

Learn how to perform the exercise correctly before using heavy weight. Correct form is important to avoid injury and to ensure that you work the proper muscle groups.

Know your limitations. If you are new to weight training or are embarking on an exercise regimen after a long layoff, start slowly and build foundational strength over a longer period of time.

Pay attention to your breathing. Exhale when you exert is a general rule of thumb. Never hold your breath.

