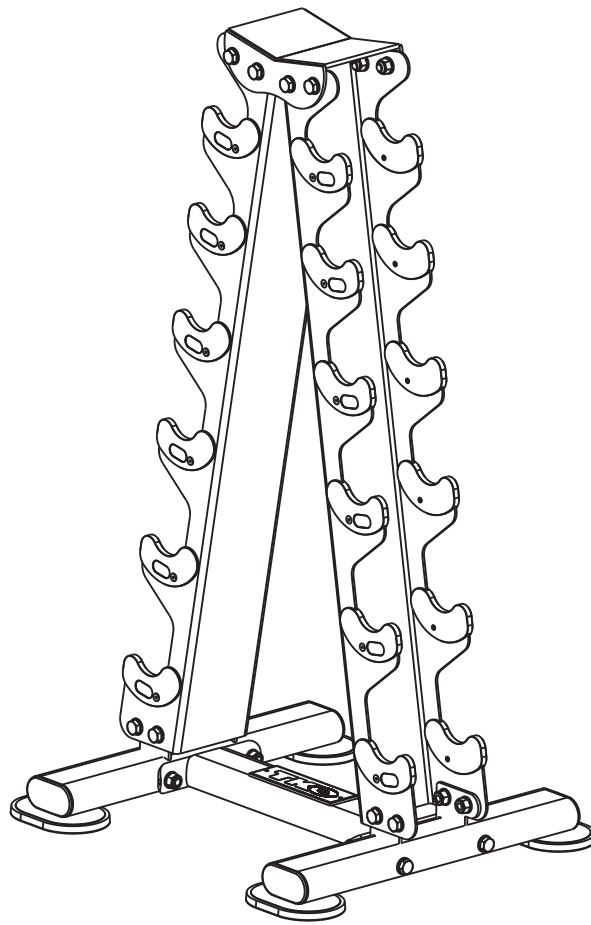




A Frame Dumbbell Rack

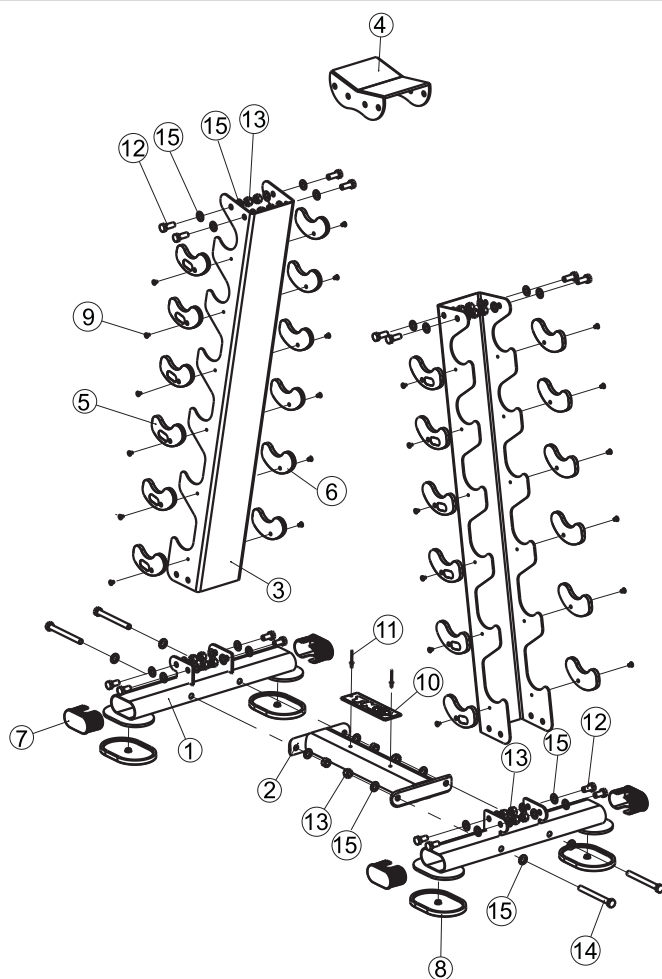
Model 6290



+ Owner's Manual

V 1.0 - 10.2020

✚ Exploded Diagram



✚ Parts List

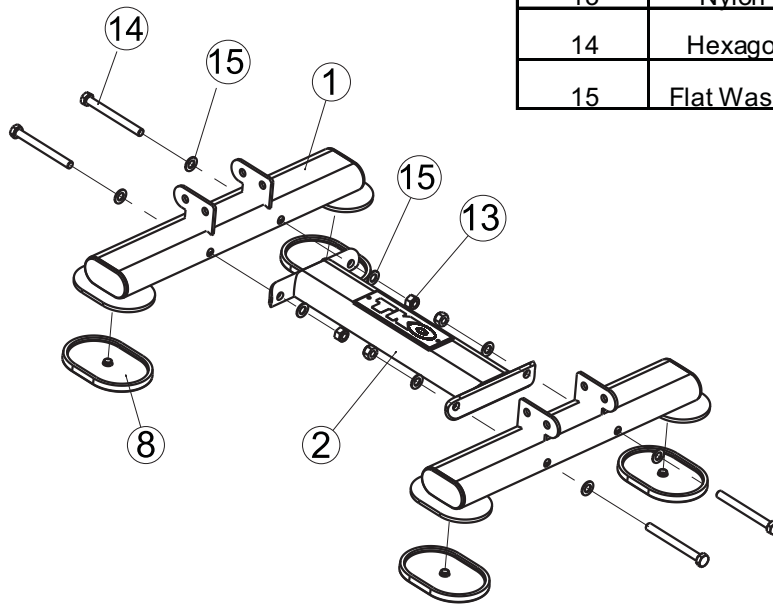
NOTE: SOME OF THESE PARTS MAY COME PRE-INSTALLED

ITEM NO.	DESCRIPTION	QTY
1	Floor stand Frame	2
2	Connecting Frame	1
3	Fixing Plate	2
4	Connecting Frame	1
5	Left Sheathing	12
6	Right Sheathing	12
7	Pipe Plug	4
8	Rubber foot	4
9	Countersunk hexagon socket head screw	24
10	Aluminum Plate	1
11	Rivet $\phi 4$	2
12	Hexagon Bolt M10*20	16
13	Nylon Lock Nut M10	20
14	Hexagon Bolt M10*100	4
15	Flat Washer $\phi 11*\phi 20*1.5$	40

✚ Assembly

Step 1

ITEM NO.	DESCRIPTION	QTY
1	Floor stand Frame	2
2	Connecting Frame	1
8	Rubber foot	4
13	Nylon Lock Nut M10	4
14	Hexagon Bolt M10*100	4
15	Flat Washer $\phi 11*\phi 20*1.5$	8



Step 2

ITEM NO.	DESCRIPTION	QTY
1	Floor stand Frame	2
3	Fixing Plate	2
4	Connecting Frame	1
12	Hexagon Bolt M10*20	16
13	Nylon Lock Nut M10	16
15	Flat Washer $\phi 11*\phi 20*1.5$	32

