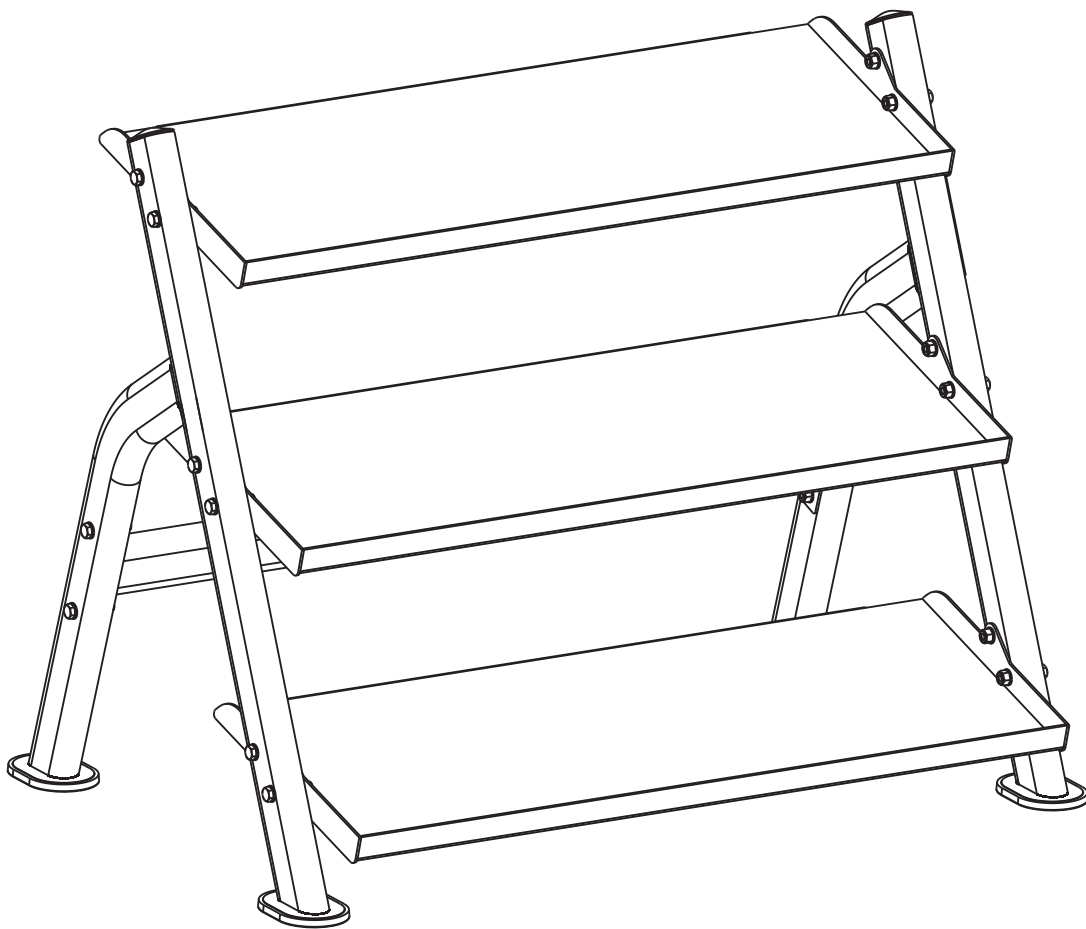




3-Tier Shelf Dumbbell Rack

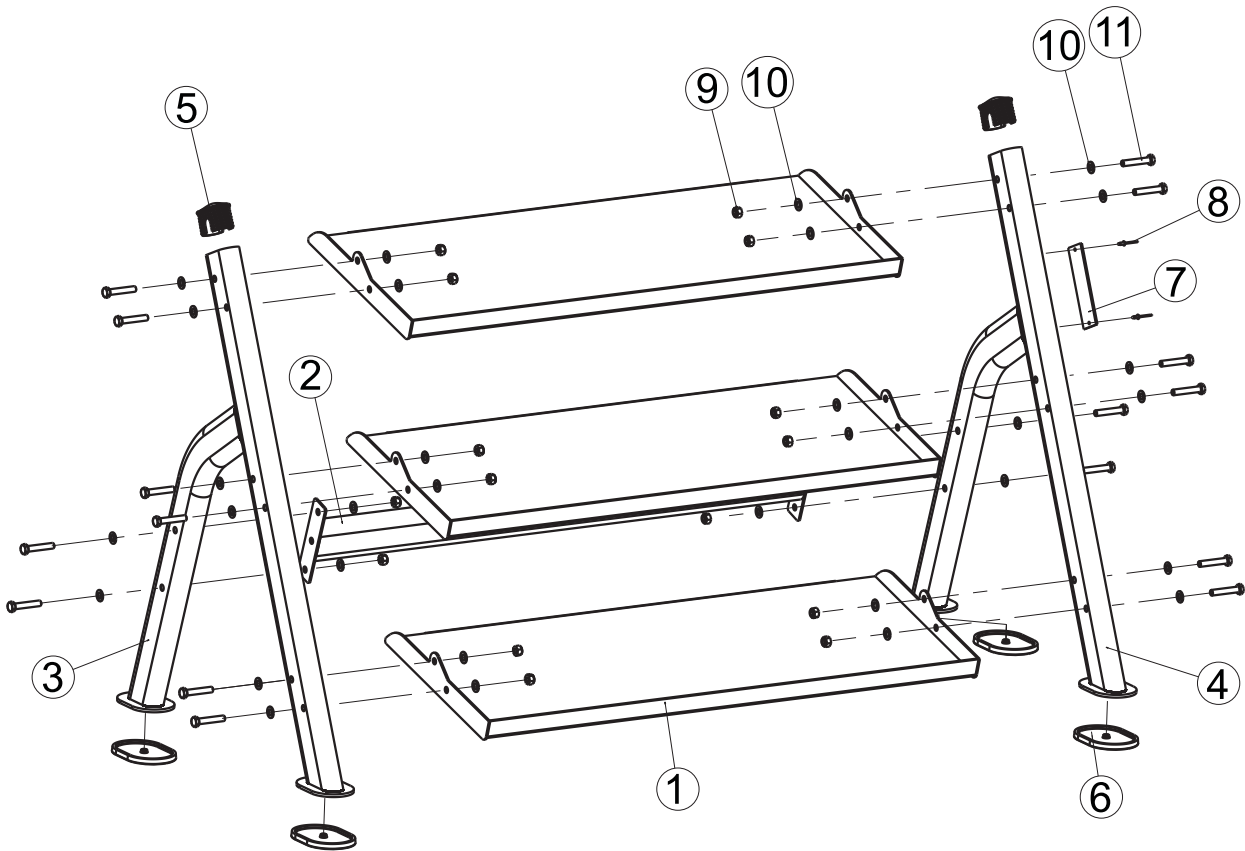
Model 6235



+ Owner's Manual

V 1.0 - 10.2020

+ Exploded Diagram



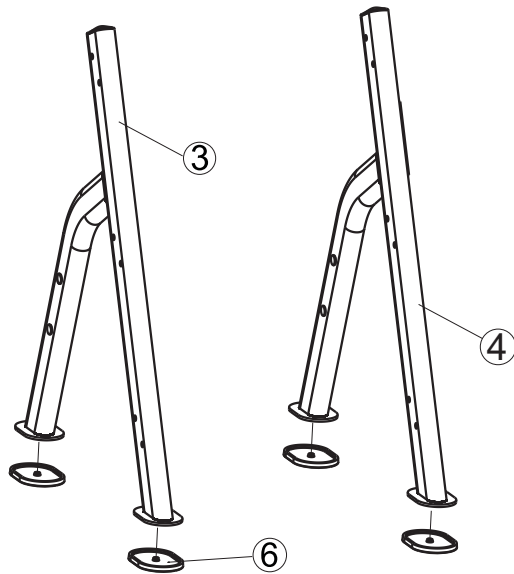
+ Parts List

NOTE: SOME OF THESE PARTS MAY COME PRE-INSTALLED

ITEM NO.	DESCRIPTION	QTY
1	Dumbbell Support Frame	3
2	Connecting Frame	1
3	Support Frame	1
4	Support Frame	1
5	Pipe Plug	2
6	Rubber foot	4
7	Aluminum Plate	1
8	Rivet $\phi 4$	2
9	Nylon Lock Nut M10	16
10	Flat Washer $\phi 11 * \phi 20 * 1.5$	32
11	Hexagon Bolt M10*55	16

+ Assembly

Step 1



ITEM NO.	DESCRIPTION	QTY
3	Support Frame	1
4	Support Frame	1
6	Rubber foot	4

Step 2

ITEM NO.	DESCRIPTION	QTY	ITEM NO.	DESCRIPTION	QTY
1	Dumbbell Support Frame	3	9	Nylon Lock Nut M10	16
2	Connecting Frame	1	10	Flat Washer $\phi 11 * \phi 20 * 1.5$	32
3	Support Frame	1	11	Hexagon Bolt M10*55	16
4	Support Frame	1			

