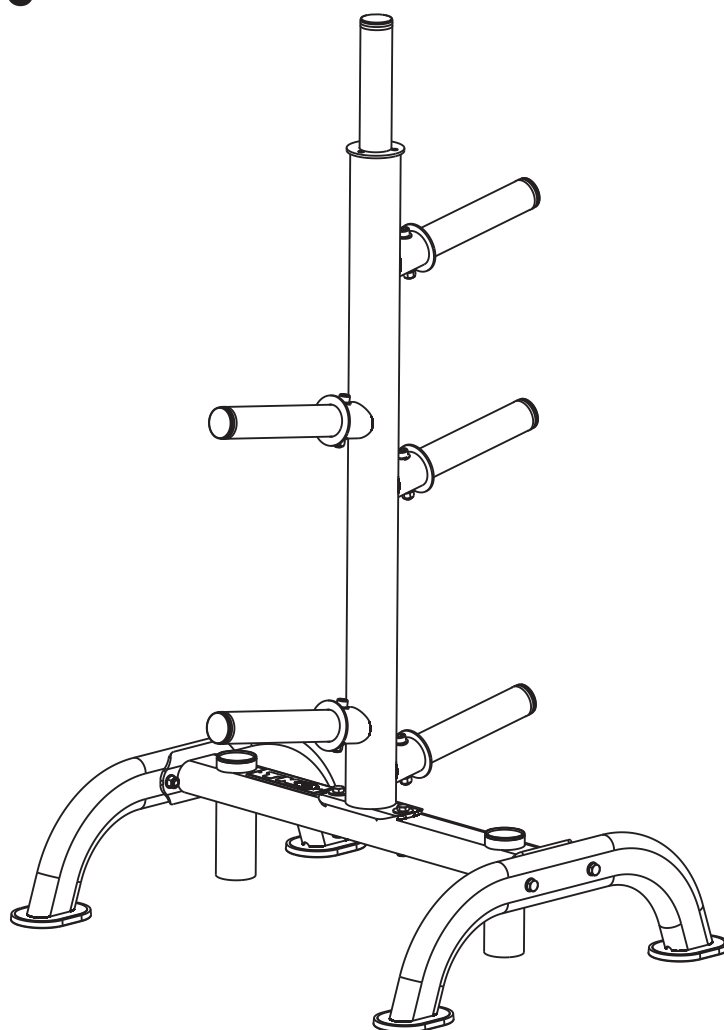




# Olympic Plate Tree

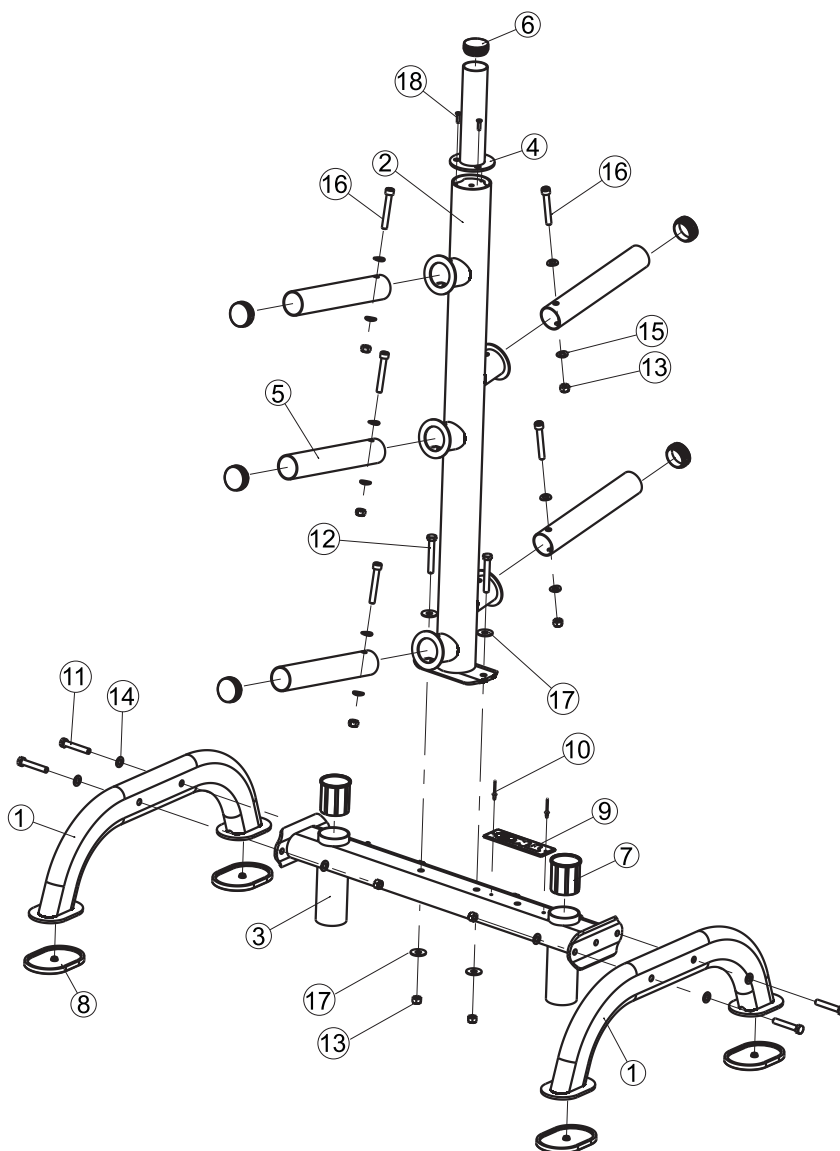
## Model 6210



**+ Owner's Manual**

**V 1.0 - 10.2020**

# ✚ Exploded Diagram



# ✚ Parts List

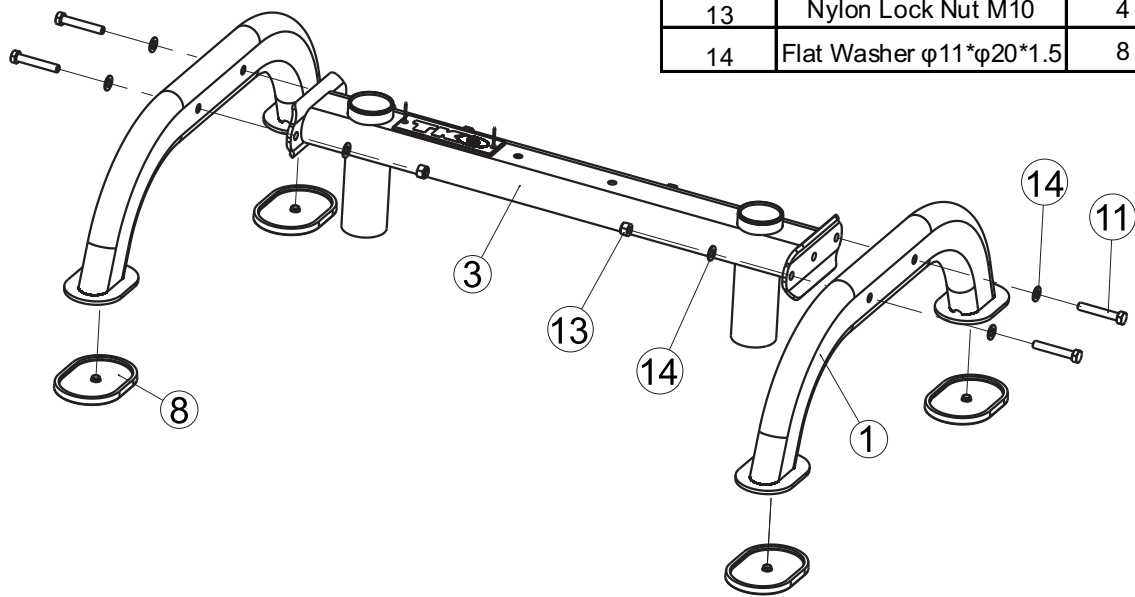
**NOTE: SOME OF THESE PARTS MAY COME PRE-INSTALLED**

ITEM NO.	DESCRIPTION	QTY	ITEM NO.	DESCRIPTION	QTY
1	Support Frame	2	10	Rivet $\phi 4$	2
2	Bell Stand Frame	1	11	Hexagon Bolt M10*60	4
3	Connecting Frame	1	12	Hexagon Bolt M10*70	2
4	Barbell Frame	1	13	Nylon Lock Nut M10	11
5	Barbell Tube	5	14	Flat Washer $\phi 11 * \phi 20 * 1.5$	8
6	Pipe Plug	6	15	Arc Washer $\phi 10$	10
7	Plastic Bushing	2	16	Inner Hexagon of Cylinder Bolt M10*70	5
8	Rubber foot	4	17	Flat Washer $\phi 11 * \phi 30 * 2.0$	4
9	Aluminum Plate	1	18	Inner Hexagon of countersunk head screw M5*20	3

# ✚ Assembly

## Step 1

ITEM NO.	DESCRIPTION	QTY
1	Support Frame	2
3	Connecting Frame	1
8	Rubber foot	4
11	Hexagon Bolt M10*60	4
13	Nylon Lock Nut M10	4
14	Flat Washer $\phi 11*\phi 20*1.5$	8



## Step 2

ITEM NO.	DESCRIPTION	QTY
2	Bell Stand Frame	1
4	Barbell Frame	1
12	Hexagon Bolt M10*70	2
13	Nylon Lock Nut M10	2
17	Flat Washer $\phi 11*\phi 30*2.0$	4
18	Inner Hexagon of countersunk head screw M5*20	3

