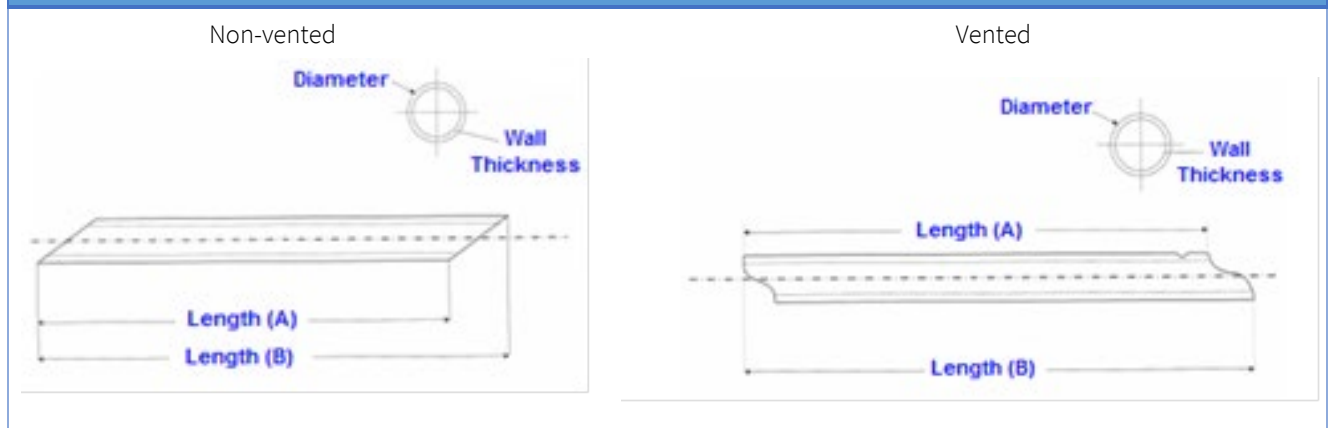


TECHNICAL DATA SHEET
High Suction Tips
Intended Use

High Volume Evacuator (HVE) with 45° angle tip is intended to minimize aerosols, splashes and help maintaining a clean, clear operative field for healthcare providers during dental procedures. It provides control of fluids in the patient's mouth by quickly removing massive volumes of fluid. Fluids can be picked up without touching the surface of the tissue. The suction tip is reversible to allow the dental specialist to reach all areas of the mouth.

Characteristic	Specification		
Material Composition	Plastic (1-propene, polymer with ethane)		
Description	Plastic tube Non-vented: Bevel-cut edges Vented: Curved bevel-cut edges and vent hole at one end		
Dimension	Type	Length (A) (inches)	Length (B) (inches)
	Non-Vented	5,500	6,000
	Vented	5,766	

Measurement Diagram

Product Image




Additional Information

Storage Condition	Country of Origin
Store in a cool, dry place	USA

Appendix 1 List of Item Codes and Attributes

Appendix 1 (List of items)

AMD Medicom Inc.

Item Code	Description	Packaging Information	Color	Specific Attribute	Treatment	Marketed in USA as	Marketed in Canada as
0510	Medicom SafeBasics High Suction Tips (HVE)	50 units/bags, 20 bags/case, 1000 units/case	White	Vented	Non-Sterile	Medical Device Class 1	Medical Device Class 1
505	Medicom SafeBasics High Suction Tips (HVE)	50 units/bags, 20 bags/case, 1000 units/case	White	Non-Vented	Non-Sterile	Medical Device Class 1	Medical Device Class 1