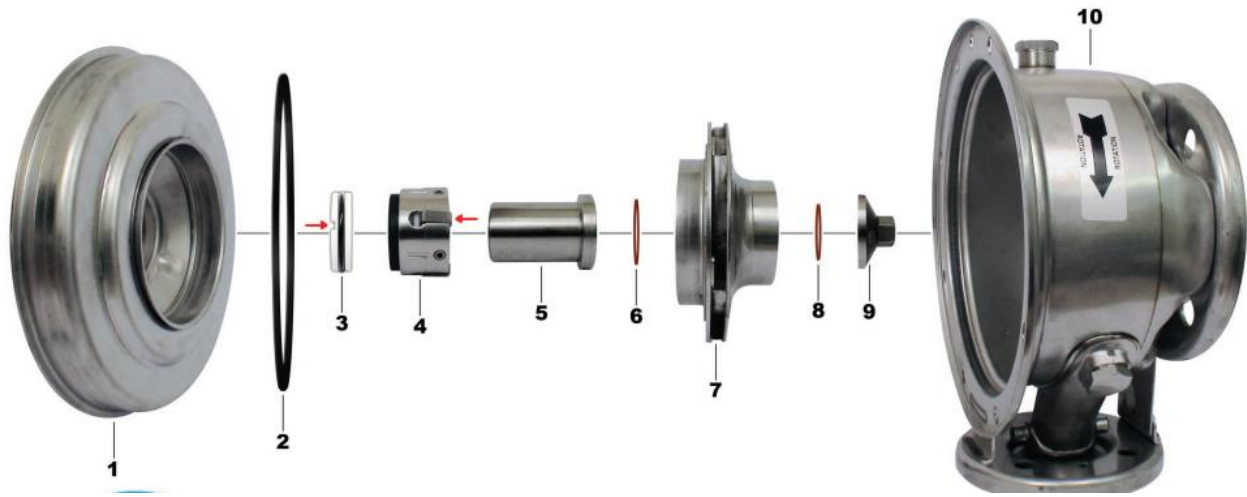




SCREEN PRINTERS RESOURCE

RECIRCULATION PUMP



#	PART NAME	#	PART NAME
1	PUMP BACKING PLATE	6	MEDIUM O-RING
2	LARGE O-RING	7	IMPELLER
3	STATIONARY SEAL (NOTCH TO PUMP BACKING PLATE)	8	SMALL O-RING
4	ROTATING SEAL (REMOVE CLIPS)	9	IMPELLER NUT
5	SHAFT COLLAR	10	PUMP IMPELLER HOUSING