

M&RTM
GLOBAL

COPPERHEAD

Powered By **DCC**

PRO MINI



AUTOMATIC PRESS



M&R's Copperhead Pro MINI is an extremely versatile, all-electric automatic screen printing press. The Pro MINI is designed to use minimal power to operate, doesn't need an external compressor, and is a simple, low-maintenance machine.

The sturdy and efficient design is able to reach incredible printing speeds per hour for a wide variety of promotional product applications. It is a simple matter to quickly produce 10 - 10,000 prints on items such as t-shirt neck tags, masks, HD logos and labels, pockets, sleeves, socks, bandanas, gloves, jean pockets, vests, underwear, innerwear, caps, transfers and much more! By using the Pro MINI to print logos & tags direct on garments, decorators can save time and additional steps over heat transfer labels and other less durable options.

By adding the optional mask pallets, the Pro MINI is unmatched as a high-speed mask printer that is able to reach speeds as fast as any operator can achieve in prints per hour. With the combination of efficiency, speed, and ease of use, the Copperhead Pro MINI is a printing machine with huge value in a small size.

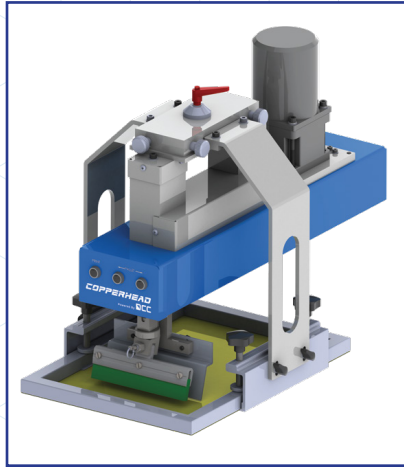
FEATURES

- Print speeds in excess of 2400 per hour!
- All Electric operation
- Small footprint, Mobile and compact, Sturdy construction
- Multiple design pallets available
- Maximum Image Size: 15 x 15 cm (6" x 6")
- Standard Pallet Size: 11 x 23 cm (4.3" x 9")
- Available in 8 & 10 station
- Modular System
- Laser Registration Guide present

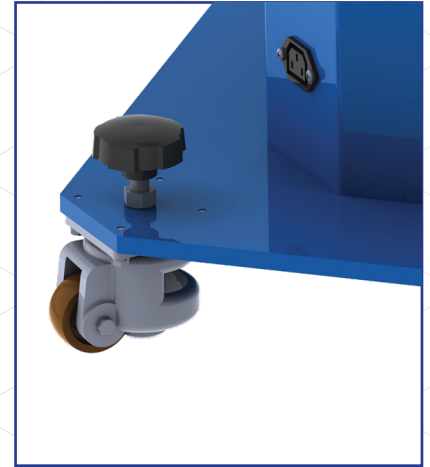
AUTOMATIC PRESS



Cloth detector sensor avoids printing on empty pallet and damaging screens



Innovative mechanical print head design ensures uniform ink deposit



Ultra-mobile design with castor wheels

Specification

No. of Colors	1	2	3	4
No. of Stations	8	8	8	10
Max. Image Size	15 x 15 cm (6" x 6")	15 x 15 cm (6" x 6")	15 x 15 cm (6" x 6")	15 x 15 cm (6" x 6")
Max. Frame Size (OD)	28 x 38 cm (11" x 15")	28 x 38 cm (11" x 15")	28 x 38 cm (11" x 15")	28 x 38 cm (11" x 15")
Standard Pallet Size	11 x 23 cm (4.3" x 9")	11 x 23 cm (4.3" x 9")	11 x 23 cm (4.3" x 9")	11 x 23 cm (4.3" x 9")
Profile thickness (Min. - Max.)	2.5 - 3.8 cm (1.0"-1.5")	2.5 - 3.8 cm (1.0"-1.5")	2.5 - 3.8 cm (1.0"-1.5")	2.5 - 3.8 cm (1.0"-1.5")
No. of Flashes	3	3	3	4
Flash Curing Area	15 x 15 cm (6" x 6")	15 x 15 cm (6" x 6")	15 x 15 cm (6" x 6")	15 x 15 cm (6" x 6")
Electrical Requirements*	208-230 V, 1 ph, 27 A, 50/60 Hz, 4.8 kW (UL)	208-230 V, 1 ph, 27.5 A, 50/60 Hz, 4.9 kW (UL)	208-230 V, 1 ph, 28 A, 50/60 Hz, 5 kW (UL)	208-230 V, 1 ph, 36 A, 50/60 Hz, 6.6 kW
	208-230 V, 1 ph, 27 A, 50 Hz, 4.8 kW (CE)	208-230 V, 1 ph, 27.5 A, 50 Hz, 4.9 kW (CE)	208-230 V, 1 ph, 28 A, 50 Hz, 5 kW (CE)	
Squeegee Rubber Specifications	0.8 x 3 cm	0.8 x 3 cm	0.8 x 3 cm	0.8 x 3 cm
Machine Height	145 cm (57.56")	145 cm (57.56")	145 cm (57.56")	145 cm (57.56")
Machine Diameter	131 cm (50.5")	131 cm (50.5")	131 cm (50.5")	145 cm (57.5")
Total Machine Weight	240 kg (529 lb)	273 kg (602 lb)	305 kg (672.5 lb)	400 kg (882 lb)

*Use servo stabilizer to safeguard machine from voltage fluctuation out of main supply

APPLICATIONS



Tagless neck label



High density labels & logos for t-shirts/shirts



Pocket/shoulder logo printing



Socks/Handkerchief



Jeans pocket



Caps printing



MASK & SURGICAL GLOVES



Vest/underwear/innerwear

PRO MINI



M&R Printing Equipment, Inc. 440 Medinah Road, Roselle, Illinois 60172-2329 USA
USA: 800-736-6431 / 630-858-6101 • Outside USA: +1-847-967-4461 • FAX: 630-858-6134