



J1 & J2 & L2 Series Sports Light



Brief Description

J1 & J2 & L2 series LED sports light produces ideal light distribution with the highest reliability level - incredibly high over 93% total efficiency, while saving up to 80% energy compared with traditional lighting. With die-cast aluminum(AL1070) housing, rugged and weather-tight design, this durable luminaire can withstand the most demanding elements, ideal for use in high vibration areas and extreme outdoor conditions.

Application

- Suitable for use as flood and area lighting for:
- Sporting facility, stadium, container loading area, shipping yard, high mast roadway, airport, industrial lighting, parking lot, railway, port, public square.

Key Features

- RGB/RGBW optional.
- External power supply available.
- DALI, DMX512 wireless control.
- Adjustable output current (AOC).
- Cold forging aluminum housing with polyester powder coated finish, excellent heat dissipation and corrosion resistance.
- Laser aiming device (optional) provides precise control in angling and aiming to exact optimal position.
- Special circuit design for each module part to work separately.
- High-quality optical material and various light distribution angles deliver ideal illumination and visual comfort.



Specifications

Model Number	SP-J1xxxW UXYZICC				SP-J2xxxW UXYZICC				SP-L2xxxW UXYZICC				
Wattage	300W	400W	500W	600W	720W	800W	1000W	1200W	1000W	1200W	1500W	1600W	1800W
Efficiency (CRI:Ra70)	160lm/W	170lm/W	165lm/W	160lm/W	165lm/W	160lm/W	150lm/W	135lm/W	165lm/W	155lm/W	145lm/W	140lm/W	135lm/W
Efficiency (CRI:Ra80)	155lm/W	165lm/W	160lm/W	155lm/W	160lm/W	155lm/W	145lm/W	130lm/W	160lm/W	150lm/W	140lm/W	135lm/W	130lm/W
EPA	0.95Ft ²				1.40Ft ²				3.0Ft ²				
Power Supply	Inventronics/Sosen												
Input Voltage	AC120-277V/120-347V/277-480V												
Power Factor	0.95												
Total Harmonic	<15%												
LED Type	3737(15°); 5050(other beam angles)								3737(15°); 3030(other beam angles)				
CCT	2700K-6500K/RGB/RGBW												
Intelligent Control	DMX512/DALI wireless control												
CRI	Ra70(Standard); Ra80(Optional)												
Beam Angle	15°/20°/30°/45°/60°				15°/20°/30°/40°/60°/80°				15°/30°/45°				
Lifespan	50,000 Hours												
Ingress Protection	IP66												
IK Rating	IK09												
Surge Protection	10kV (Standard) /20kV (Optional)												
Ambient Temp.	-40°C to 50°C (-40°F to 122°F)												
Housing	Cold Forging Aluminum (Al1070)												
Lens Material	Anti-UV PC Optical Material												

* The CRI value of 3737 led chip(15°) is limited to Ra70.



J1 & J2 & L2 Series Sports Light

Ordering Guide

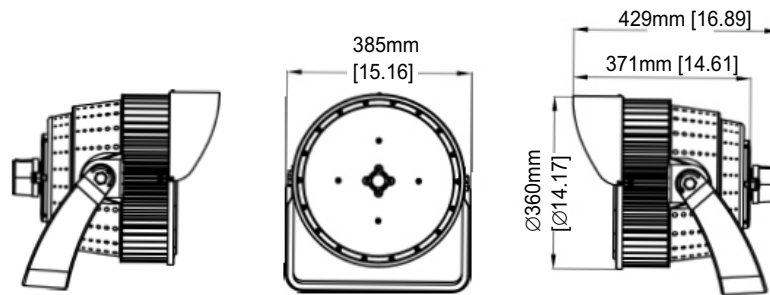
Product Category	Product Series	Wattage	CCT	Dimming Option	Beam Angle	Sensor Option	Driver Option	Voltage
SP	J1/J2/L2	xxxW	U	X	Y	Z	I	CC
Sports Light	J1 series J2 series L2 series	J1:300/400/500/600W J2:720/800/1000/1200W L2: 1000/1200/1500/ 1600/1800W	22 = 2200K 27 = 2700K 30 = 3000K 40 = 4000K 50 = 5000K 57 = 5700K 60 = 6000K 65 = 6500K RGBW RGB	D: Dimmable N: Non-dimmable	15=15° 20=20° 30=30° 40=40° 45=45° 60=60° 80=80°	N: without sensor G: with sensor	1: with built-in driver 2: with external driver	120-277V 120-347V 277-480V

Example: SP-J1300W 50D20N2(120-277V)

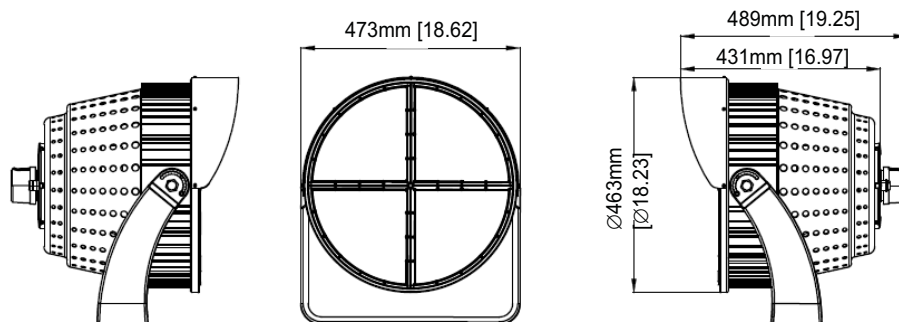
SP	J1	300W	50	D	20	N	2	(120-277V)
Sports Light	J1 Series	300W	5000K	Dimmable	20°	no sensor	external driver	120-277V

Dimensions Unit: mm [inch]

With Built-in Power Supply:
SP-J1xxxW UXYZICC
300-600W



With Built-in Power Supply:
SP-J2xxxW UXYZICC
720-1200W

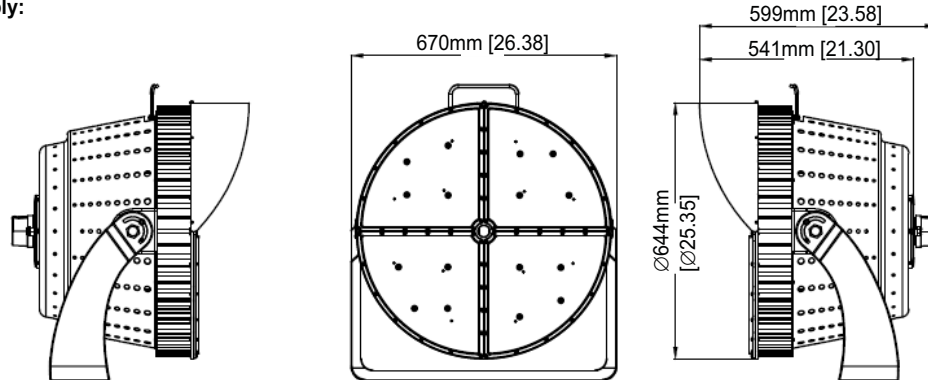


J1 & J2 & L2 Series Sports Light

Dimensions Unit: mm [inch]

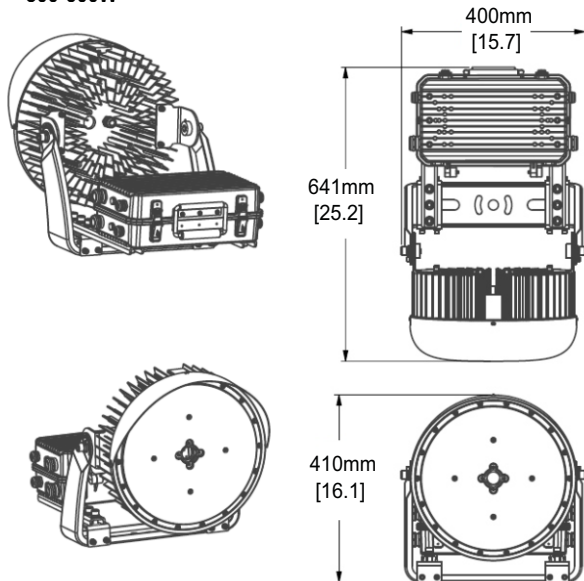
With Built-in Power Supply:

SP-L2xxxW UXYZICC
1000-1800W

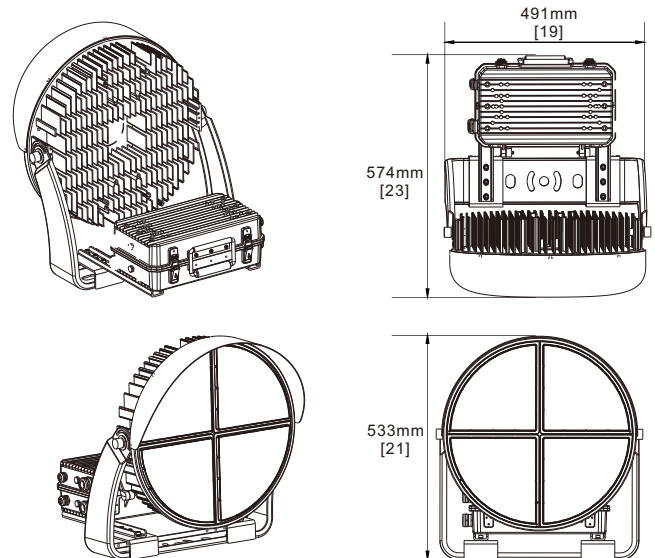


With External Power Supply:

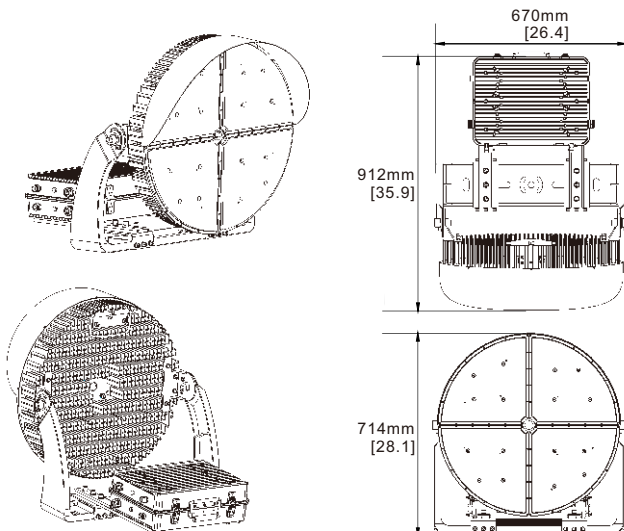
300-600W



720-1000W



1000-1800W



External Power Supply

