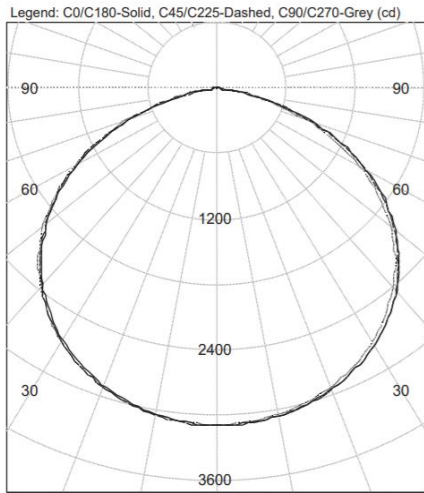






Photometrics



INTENSITY SUMMARY (cd)

Gamma	C-Plane					Flux (lm)
	C0	C22.5	C45	C67.5	C90	
0.0	3095	3095	3095	3095	3095	
5.0	3084	3103	3089	3081	3074	293
10.0	3055	3075	3059	3047	3041	
15.0	3005	3025	3009	2996	2986	846
20.0	2934	2954	2934	2923	2909	
25.0	2839	2860	2838	2827	2808	1301
30.0	2723	2741	2721	2710	2687	
35.0	2582	2598	2577	2567	2543	1598
40.0	2417	2432	2410	2399	2372	
45.0	2228	2240	2218	2202	2176	1685
50.0	2012	2020	1997	1977	1952	
55.0	1767	1771	1748	1726	1700	1526
60.0	1492	1493	1469	1447	1419	
65.0	1189	1185	1159	1141	1119	1109
70.0	864	847	830	821	795	
75.0	514	512	507	497	473	500
80.0	227	123	208	215	202	
85.0	6	4	20	22	22	45
90.0	0	0	0	0	0	

Wiring from bottom:

1. Cut holes on the wall according to locating plate. (Figure 1-1)

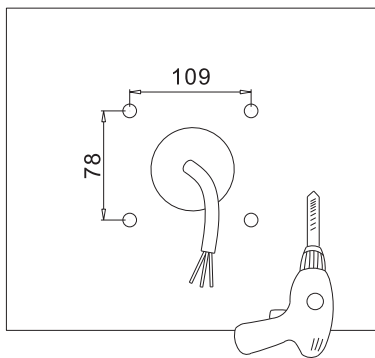


Figure 1-1

2. Fix rubber plugs into holes. (Figure 1-2)

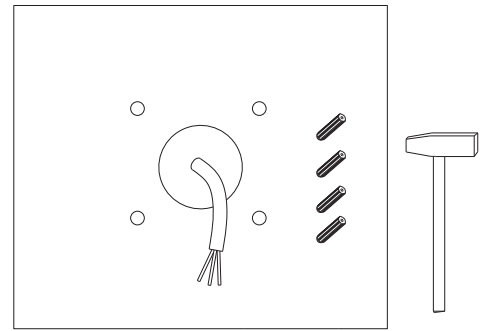


Figure 1-2

3. Align mounting bracket with hole; tighten screws (Figure 1-3)

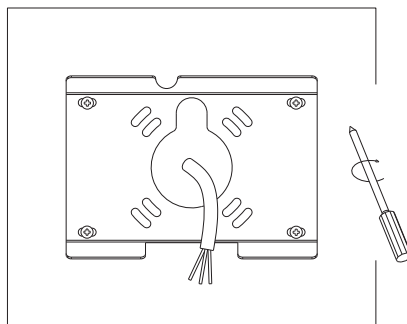


Figure 1-3

4. Make wiring connection and go through isolation treatment. (Figure 1-4)

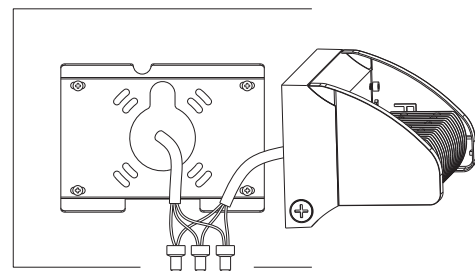


Figure 1-4

5. Fix the luminaire on the bracket and tighten screws on the bottom. (Figure 1-5)

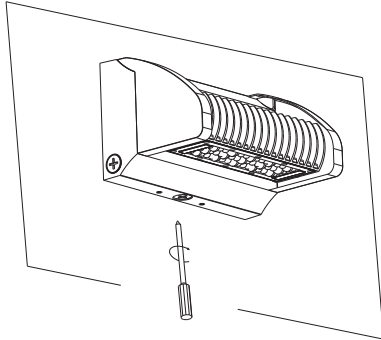


Figure 1-5

6. After installation, tighten the screws. (Figure 1-6)

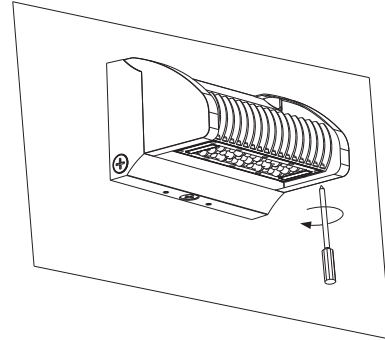


Figure 1-6

**Wiring from side:**

1. Cut holes on the wall according to locating plate (Figure 2-1)

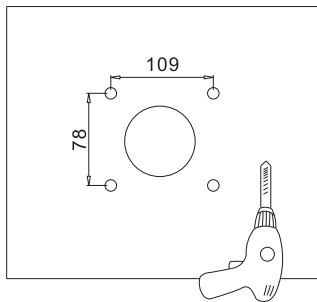


Figure 2-1

2. Fix rubber plugs into holes. (Figure 2-2)

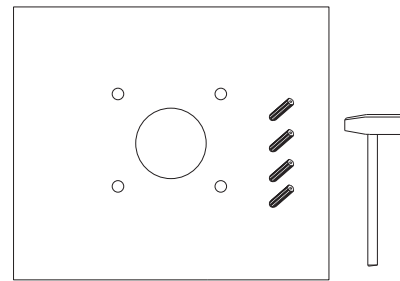


Figure 2-2

3. Align mounting bracket with hole; tighten screws. (Figure 2-3)

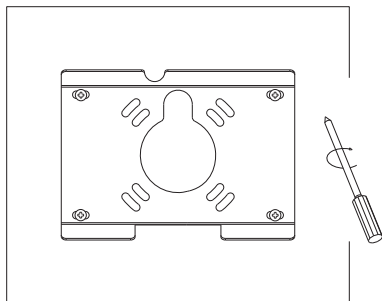


Figure 2-3

4. Fix the luminaire on the bracket; make wiring connection from side and go through isolation treatment. (Figure 2-4)

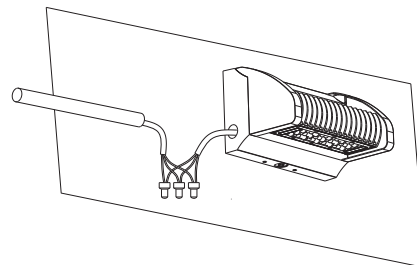


Figure 2-4



5. Tighten the pipe on the luminaire; after installation, tighten the screws. (Figure 2-5)

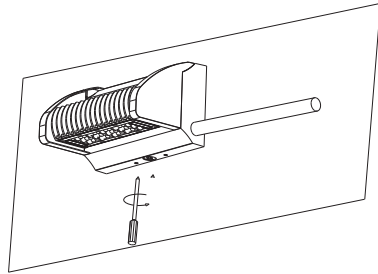


Figure 2-5