



Job Name: _____
 Type: _____
 Quantity: _____

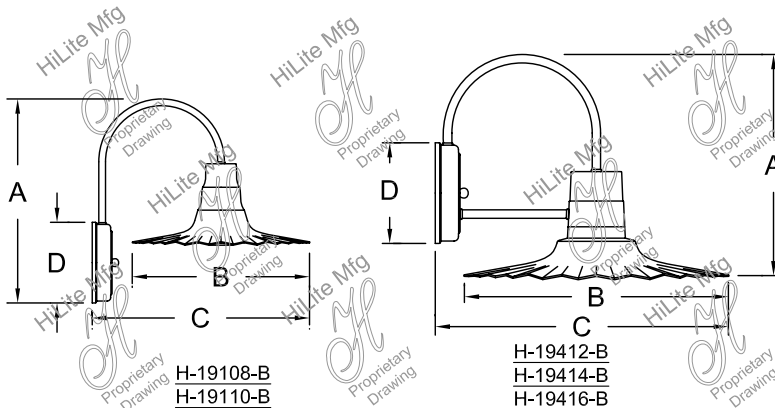
**HI-LITE MFG.
CO., INC.**

13450 Monte Vista Avenue
 Chino, California 91710
 Telephone: (909) 465-1999
 Fax: (909) 465-0907

**For Wall
Mount Only**

Item Number	Height (A)	Width (B)	Projection (C)	Canopy Dia. (D)
H-19108-B	10"	8"	10"	5 1/2"
H-19110-B	12"	10"	13"	6 1/4"
H-19412-B	12"	12"	14 1/2"	6 1/4"
H-19414-B	13"	14"	16"	6 1/4"
H-19416-B	13 1/2"	16"	19"	6 1/4"

Radial Shade Collection



Fixture No.	Fixture Color	Optional Accessories	Accessory Color	Wattage/Lamp options	Ballast	Voltage
H-19108-B⁽¹⁾ H-19110-B⁽¹⁾ H-19412-B H-19414-B H-19416-B	Standard ⁽²⁾ 91 (Black) 93 (White) 95 (Dk. Grn) 96 (Galv.) BR47 (Rust) BK01, GN20. Upgraded Finishes 29, 66, 82, 90, 92, 94, 97, 99, 100, 103, 104, 105, 110, 112, 113, 114, 115, 117, 118, 119, 120, 127, 128, 129, 133, 134, 135, 136, 138, 139, 140, 121, 122, 123, 124, 125, 126, 11, 01, 22, 25, 33, 77, 89. For finish specs see pages 344-348.	CGU (Cast guard & glass) LCGU (Large cast guard & glass) WGU (Wire guard & glass) LWGU (Large wire guard & glass) ARN (Acorn globe) For specs and glass color see pages 321-344.	Standard 91 (Black) 93 (White) 95 (Dk. Grn) 96 (Galv.) BR47 (Rust) For all finishes see pages 344-348.	Incandescent ⁽¹⁾ ⁽⁵⁾ (Fixture is standard 100W or 200W. Do not specify.) CFL ⁽³⁾ ⁽⁵⁾ (Compact Fluorescent) 13/CFL 18/CFL 26/32/42/CFL 26/CFL 32/CFL 42/CFL 57/CFL DMB (Dimmable Ballast for CFL. Add to Part No.) HID ⁽³⁾ (High Intensity Discharge) MH ⁽³⁾ ⁽⁵⁾ (Metal Halide) 35/MH 50/MH 70/MH 100/MH 150/MH 175/MH HPS ⁽³⁾ ⁽⁵⁾ (High Pressure Sodium) 50/HPS 70/HPS 100/HPS 150/HPS LED 20W 30W	Ballast option not available for INC. RB⁽⁴⁾ (Remote) OBB (Onboard) OBB (Fluorescent Options 13W-57W) For specs see pages 341-343.	Incandescent (Fixture is standard 120V. Do not specify.) CFL M (Multi 120/277V) HID RB and BCM M (Multi 120/208/240/277V) LED See specifications for complete part number.

H-19412-B - 91 / CGU - 91 / 13/CFL - BCM - M

ORDER EXAMPLE
(USE THIS FORMAT TO PLACE ORDER)

Notes:

(1) H-19108-B and H-19110-B available for 100W Max INC only and not available with accessories. (4) (RB) Remote Ballast not available for Fluorescent Lamping.

(2) For interior finish of fixture refer to color chart on pages 344-348. (5) Socket Bases: INC and HID are medium base, CFL are GX24Q.

(3) Requires Globe Option. (See pages 339-341 for Globe Options)
 Max Wattages for CGU and WGU are 100W INC, 32W CFL and 100W HID.
 Max Wattages for LWGU, LCGU, ARN and LARN are 200W INC, 57W CFL and 175W HID.

Suitable for wet location.