

Project: _____
 Part#: _____
 Type: _____

4" & 5/6" Adjustable Downlight

5CCT Selectable: 27/30/35/40/50K



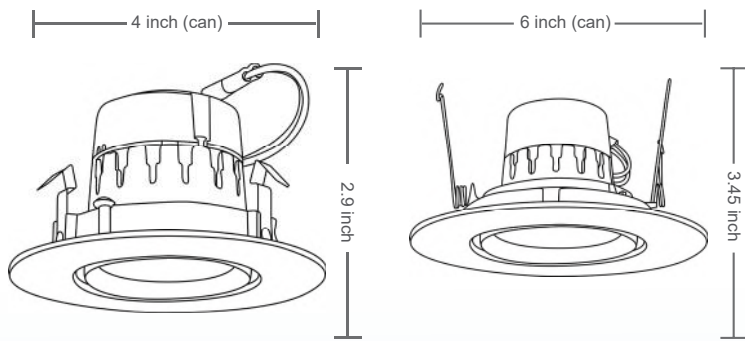
The EnVision adjustable retrofit downlight allows the end user to direct the light in a full 360° spectrum. It's easy to use and can be adjusted once the trim is installed inside of a can. With a High CRI >90, and fully dimmable, you have plenty of light when desired. The light turns on instantly, and is not affected by frequent on/off switching. Now with 5 different color temperatures to choose from, all in one fixture!

Applications:

- Recessed Downlighting
- New/Remodel Construction
- Residential/Commercial Lighting

Product Information:

- Switch between 27/30/35/40/50K color temps.
- Increase energy savings and shorten payback period
- High intensity: Ready to replace existing halogens
- Title 24 (ideal) Connector Plug
- Dimmable: Compatible with most dimmers down to 5%
- Fits most cans



LED-DL-ADJ - **Size/Watts/Lumens** - **5 CCT** - **Finish** - **EMB** - **Warranty**

1	Product	2	Size/Watts/Lumens	3	Color	3	Finish	5	EMB	5	Warranty
1	LED-DL-ADJ Adjustable Downlight	10W	4" / 10W (750lm)	5CCT	5CCT Selectable	WH	White	(Blank)	None	(Blank)	5 Year (incl.)
		16.5W	5-6" / 16.5W (1200lm)		27/30/35/40/50K	BLK	Black	EMB	Emergency Backup (External 25W)	10YR	10 Year

Specs and model numbers are subject to change with or without notice





WAREHOUSE-LIGHTING.COM

4" & 5/6" Adjustable Downlight

5CCT Selectable: 27/30/35/40/50K

FEATURES

5/6" Model Shown

5CCT Selectable

Choose between 27/30/35/40/50K color temperatures, making this five different fixtures in one!

Dimmable

5-100% dimmable setting compatible with most dimmers.

High Intensity

Ready to replace existing halogens with increased energy savings and shorten payback period.

Accessible Adjustments

Once installed inside of a can, easily adjust the trim to your desired angle.

Easy to Install

Spring clips allow for tool-less installation.



4" Clips shown above

Warehouse-Lighting.com
2750 South 163rd St
New Berlin, WI 53151

Warehouse-Lighting.com
Phone: 888-454-4480
info@warehouse-lighting.com



WAREHOUSE-LIGHTING.COM