

Read Instruction manual carefully to ensure proper installation.
Please keep this instruction manual for future using!

⚠ WARNING

To avoid the risk of fire, or electric shock this product should be installed, inspected, and maintained by a qualified electrician only. Installation should be completely by an individual familiar with the construction and operation of the luminaire. Installation of luminaire must be in accordance with nation and local building and electrical codes.

Safety Warning:

To avoid electric shock:

Be certain electrical power is OFF before and during installation and maintenance.

Luminaire must be supplied by a wiring system with an equipment grounding conductor.

To avoid burning hands:

Make sure lens and housing are cool when performing maintenance.

To avoid product degradation:

Make sure the wire supply voltage is the same as the luminaire supply

Use proper supply wiring as specified on the luminaire nameplate.

Avoid use in environments containing sulfur, chlorine, or other halides, methyl acetate or ethyl acetate, cyanoacrylates, glycol ethers, formaldehyde or butadiene.

Notes:

Instructions do not cover all details and all possible product configurations.

Do not restrict luminaire ventilation.

Ensure LED luminaire is not covered with material that will prevent convection or conduction cooling.

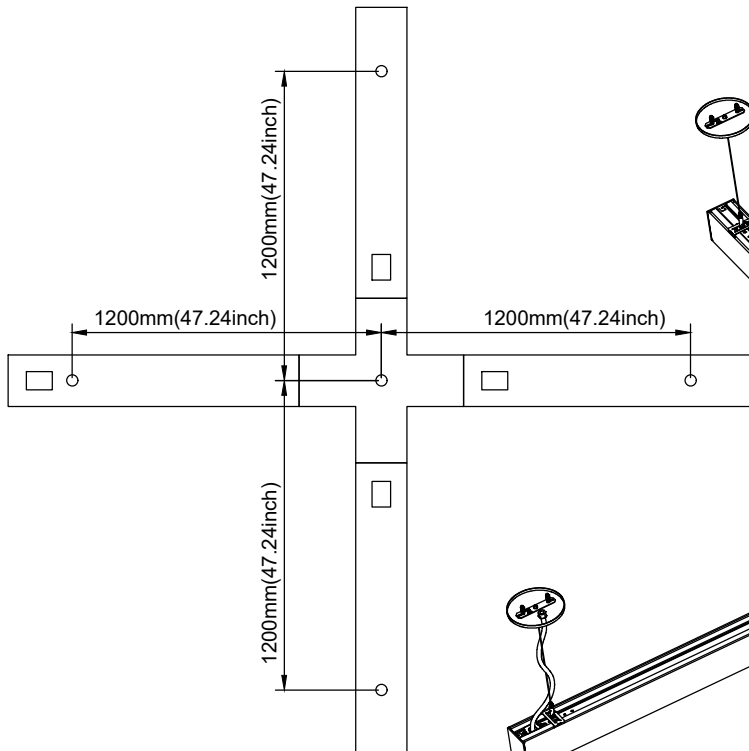
Ensure LED luminaire has the correct polarity before installation

Avoid exposing wiring to metal edges and sharp objects.

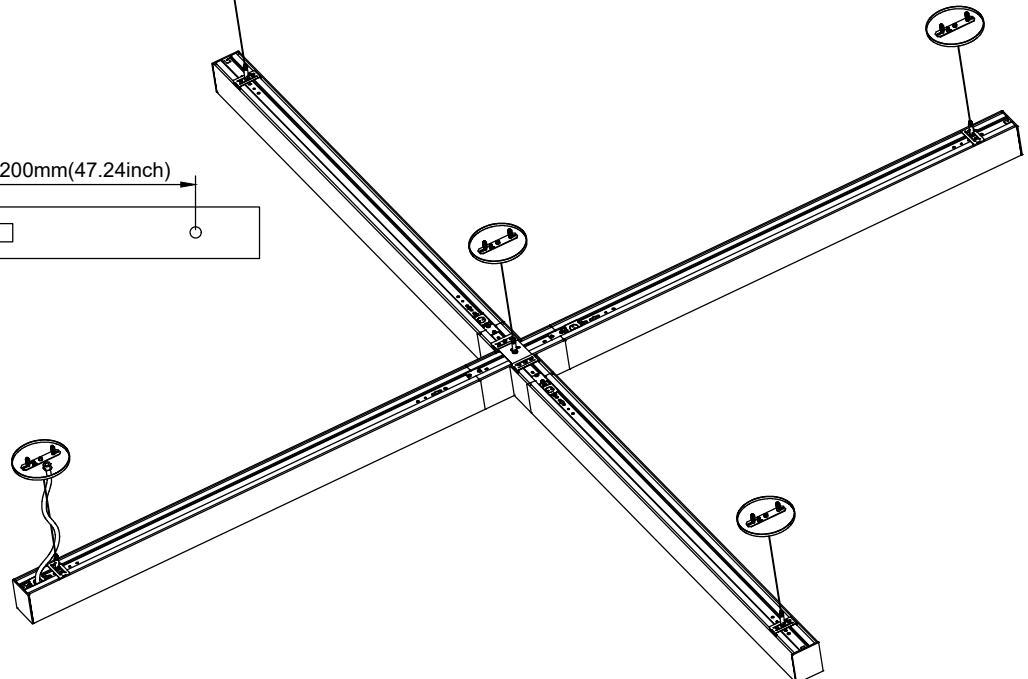
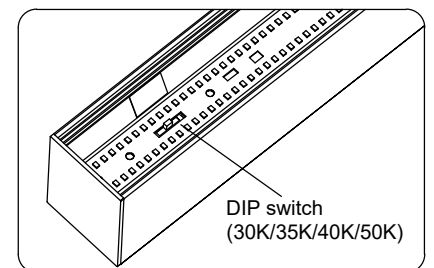
Maintenance:

Perform visual, electrical, and mechanical inspections on a regular basis. The environment and frequency of use should determine this. However, it is recommended that checks be made at least once a year. Electrically check to make sure that all connections are clean and tight. Mechanically check that all parts are properly assembled.

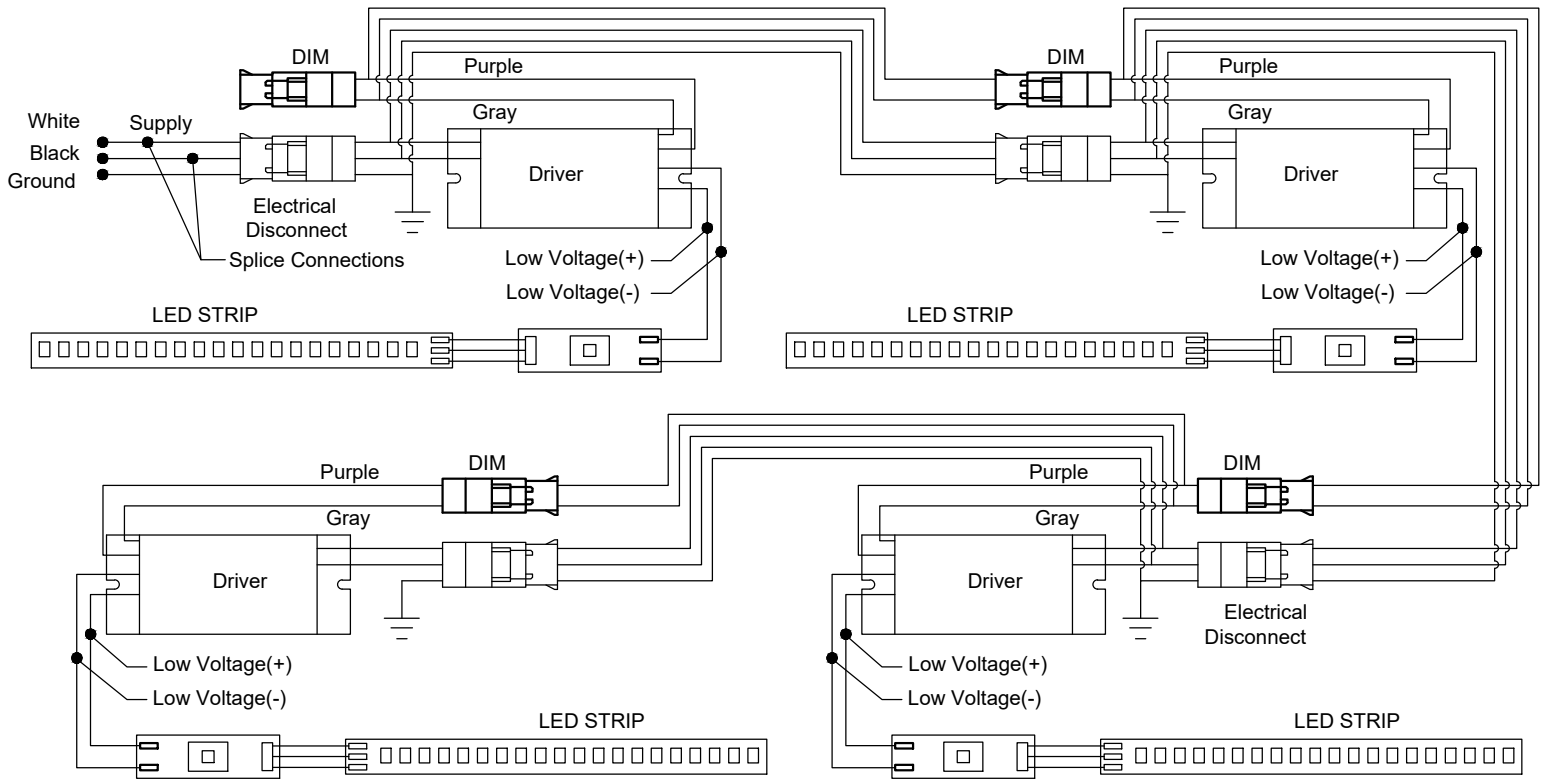
■ Installation Dimension (suspended)



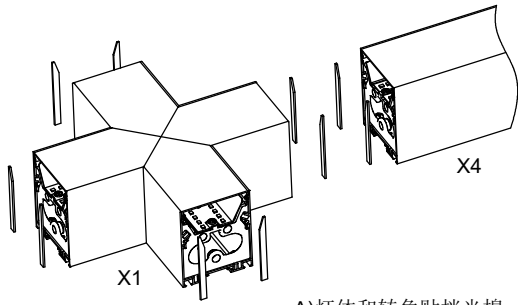
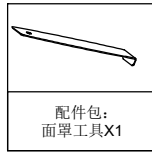
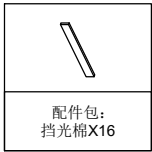
■ Dip switch for CCT



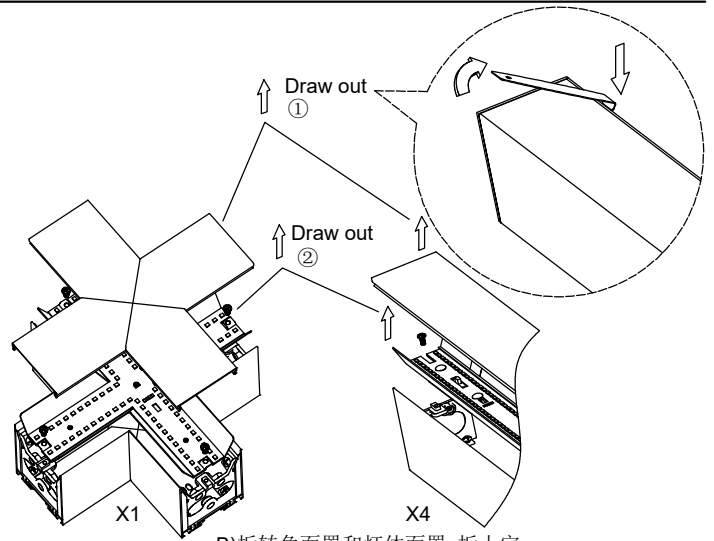
Wiring Diagram



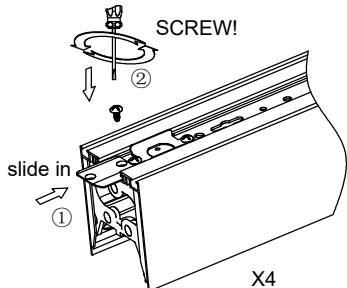
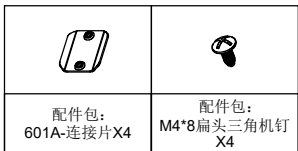
CONNECTION



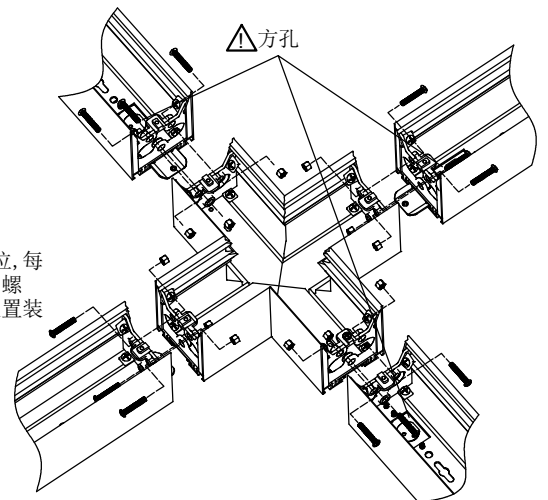
A)灯体和转角贴挡光棉



B)拆转角面罩和灯体面罩,拆十字转角反光板和灯体反光板

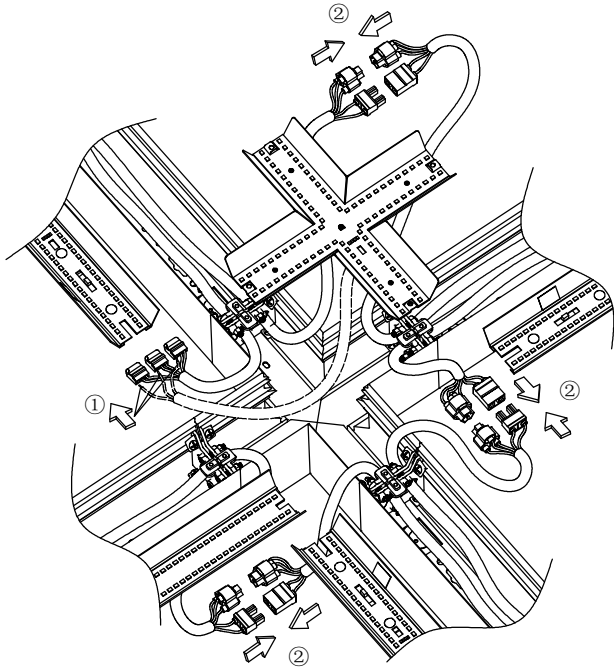


C)结构连接A: 每支灯一端的背后装上连接片后翻到正面

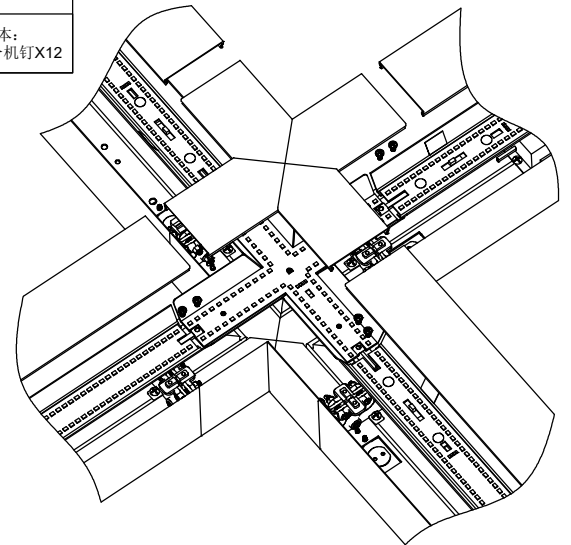


D)结构连接B: 灯体和转角排位,每支灯一端的端盖穿上3颗M4*25螺丝,穿过转角,对应螺丝的位置装上螺母

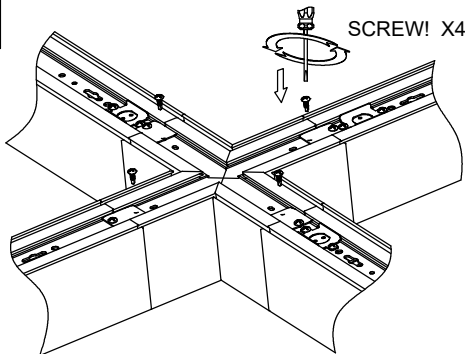
CONNECTION



E) 电气连接: 布线(注意要穿过内端盖)(外部连接线布线)、将耦合器对插

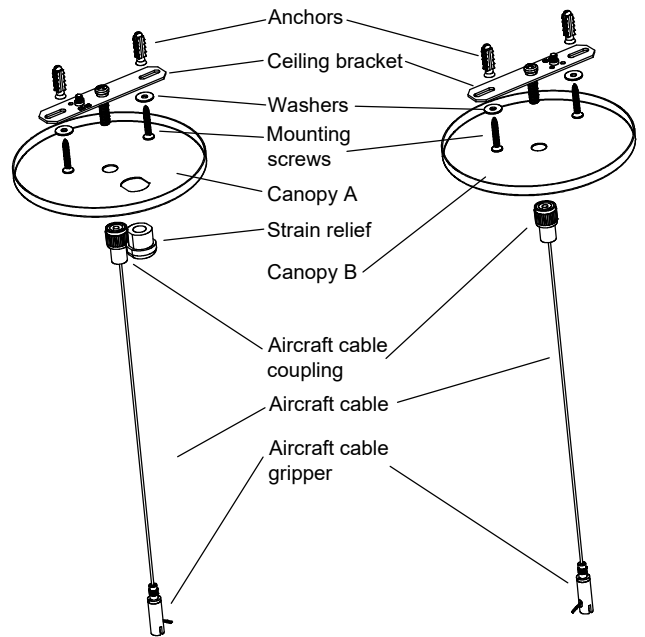


F) 装上十字转角反光板和灯体反光板, 装上转角面罩和灯体面罩



G) 结构连接C: 装好后面罩要翻过来装上连接片的固定螺丝

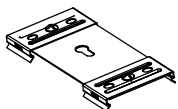
吊装



吊线套装A

吊线套装B

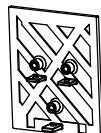
配件包: M5*12圆头十字机钉 X5	配件包: φ5*12垫片X5	配件包: M5*3外六角螺母X5	配件包(多出): M4*8带介机钉X12



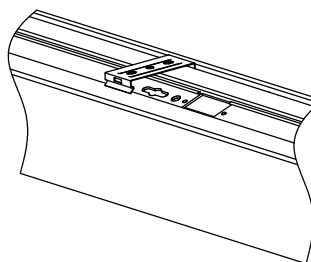
配件包:
601A-十字吊装片X1



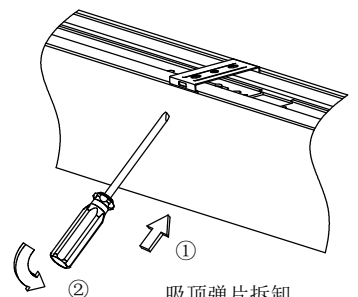
配件包:
601A-吸顶弹片X4



配件包(多出):
601A-外端盖X4



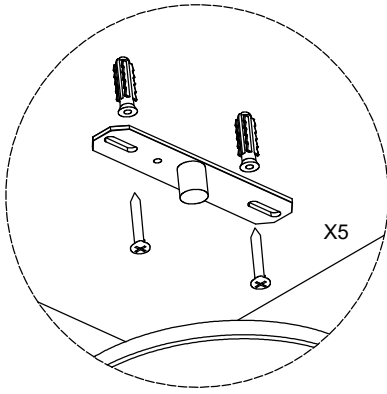
吸顶弹片安装



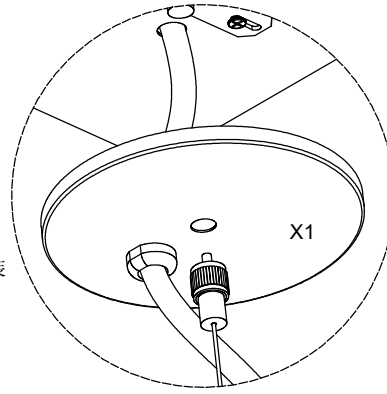
吸顶弹片拆卸

■ 吊装

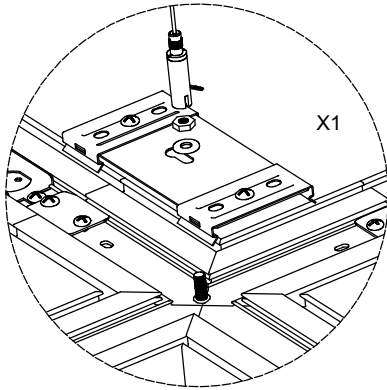
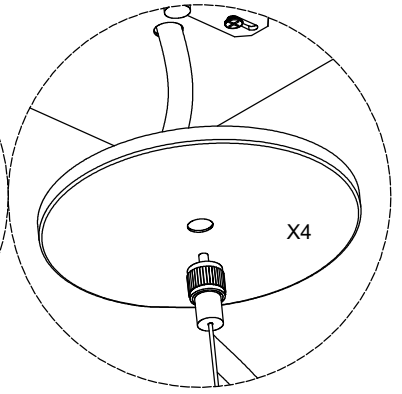
⚠ 需要两个或者两个人以上操作



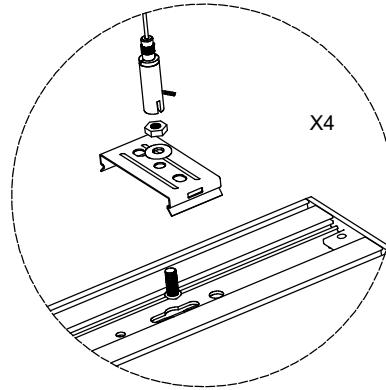
A) 安装挂板



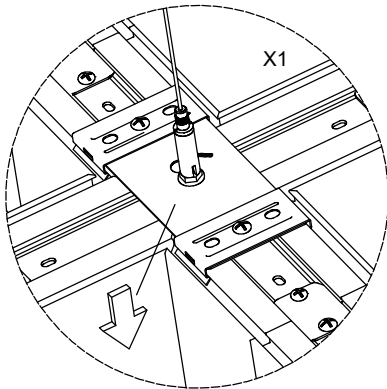
B) 圆盘接线盒安装



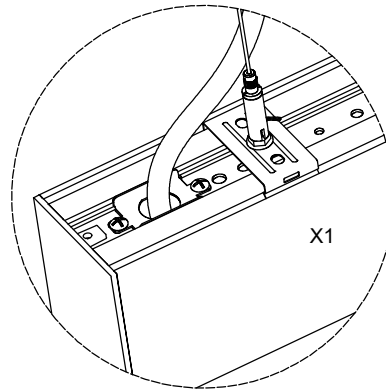
C-A) 安装601A-十字吊装片在锁线器上, 然后将吊装片卡在支架上



D) 安装601A-吸顶弹片在锁线器上, 然后将吸顶弹片卡在支架上



C-B) 卡紧后效果



E) 接线

