

## Installation Instruction

Wire Guard for WPGR Series LED Wall Pack

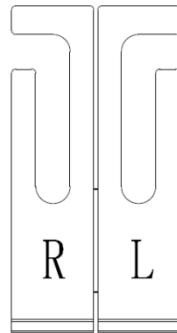
---

### IMPORTANT

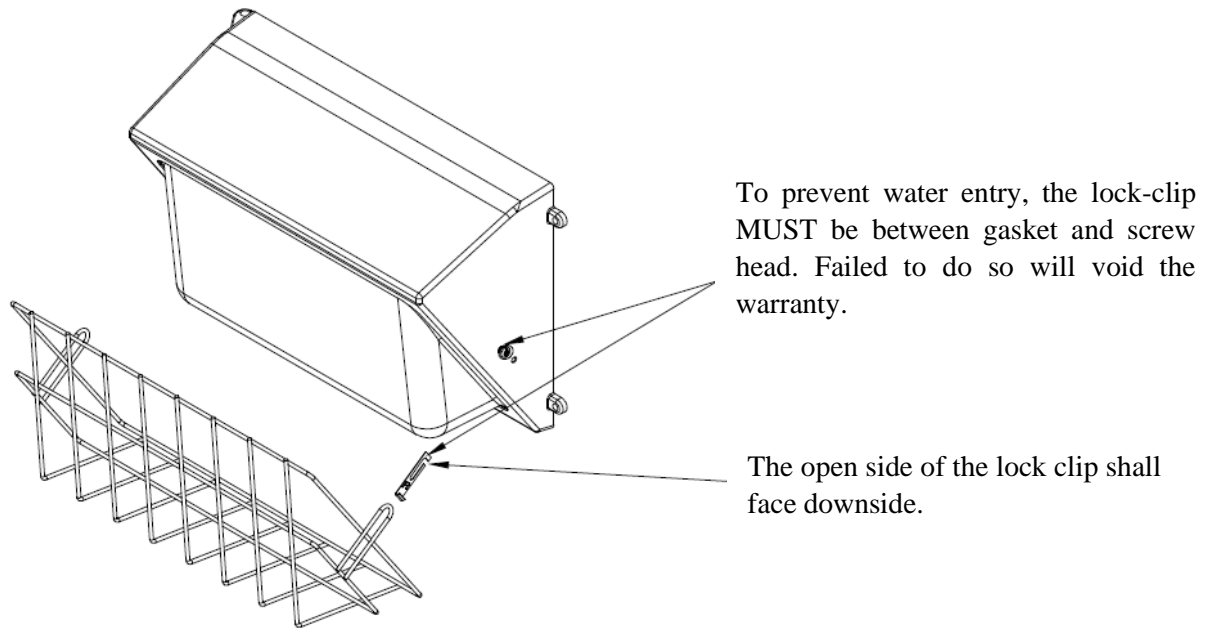
READ CAREFULLY BEFORE INSTALLING THE FIXTURE. RETAIN THESE INSTRUCTIONS FOR FUTURE REFERENCE.

THOROUGHLY INSPECT THE FIXTURE FOR ANY FREIGHT DAMAGE; FREIGHT DAMAGE SHOULD BE REPORTED TO THE DELIVERY CARRIER.

1. Separate the lock-clips. Use the clip with "R" for right side of wall pack fixture; while the one with "L" for left side of the fixture. The open side of the lock clips shall face downside while assembled.



2. Open up the wall pack fixture and loose the screws on both sides.  
**Notice:** when opening the rear housing, please pay special attention NOT to damage the spindle and inner wires.



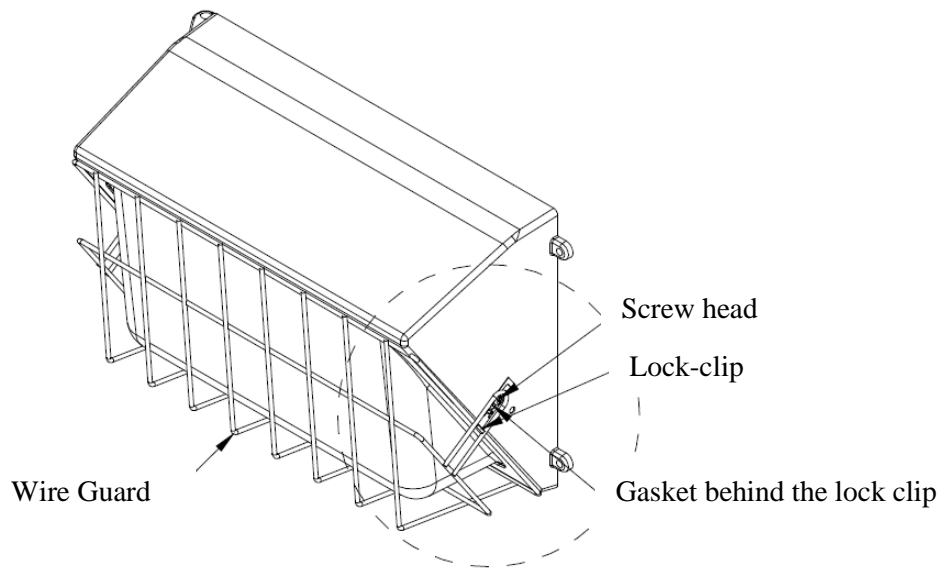
3. Insert the lock-clip between gasket and screw head; hang the wire guard with the 2 ears on the lock-clips. Adjust the lock-clip to the right position and re-tighten the screws.

## Installation Instruction

### Wire Guard for WPGR Series LED Wall Pack

---

**Notice:** make sure screws are fastened tightly to prevent water entry. Failed to do so will void the warranty.



4. Re-assemble the front housing to back housing.