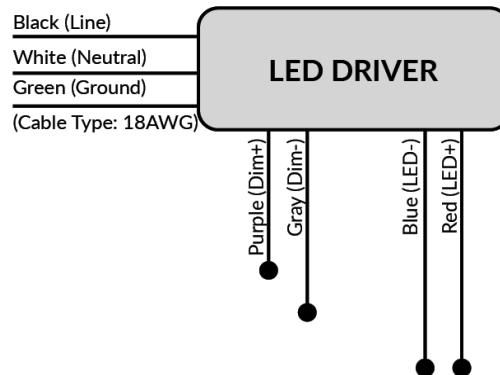




### WARNING

- To avoid the risk of fire, explosion, or electric shock, this product must be installed in accordance with the applicable installation code by a person familiar with the construction and operation of the product and the hazards involved.
- Be certain electrical power is OFF before and during installation and maintenance. It is recommended that prior to installation the main breaker controlling the desired location for the fixture be turned off.
- The luminaire must be connected to a wiring system with an equipment-grounding conductor.
- Ensure the supply voltage is the same as the rated luminaire voltage.
- Inspect each fixture for any signs of damage before beginning installation; do NOT install any fixture that is damaged.
- All wiring should be performed by a qualified technician and according to the appropriate local electrical code. Wear gloves when disassembling fixture.
- Locate a position to install the light fixture. The selected location must not hinder ventilation to the fixture unless product specifications indicate otherwise.

### General Wiring Diagram



### Wiring

The fixture comes pre-assembled from the factory. Depending on customer needs, the lighting fixture will either come with or without an installed power cord.

#### Pre-installed power cord

- Make the appropriate wire connections between the cord and the power source. All wire connections should be completed using approved/appropriate wire connections according to all applicable electrical codes.
- Wires must not be exposed or frayed. Inspect wires for any signs of damage.

#### NO pre-installed power cord

If there is no pre-installed power cord with the fixture, access to the internal components will be needed to make the appropriate wire connections.

1. Remove the lens by locating and releasing the latches holding the lens to the housing. Support the lens while releasing the latches to avoid dropping the lens.
2. The LED tray is held in place using clips down the center of the tray or in an alternate design, with four Quarter-Turn fasteners. Support the tray while releasing it from the housing and as the LED tray swings down, gently hang it from the fixture as it is supported by plastic Tethers. The 8ft models will utilize two separate 4ft long LED Trays.
3. Run the external power line wires through the end of the housing and make the appropriate wire connections. All wire connections should be completed using appropriate wire connections and according to local electrical code.
4. Use appropriate parts/accessories to ensure the housing wire port is sealed to prevent water/dust intrusion.
5. Inspect the closed cell polyurethane gasket for any gaps or damage.
6. Reattach the LED tray and lens.

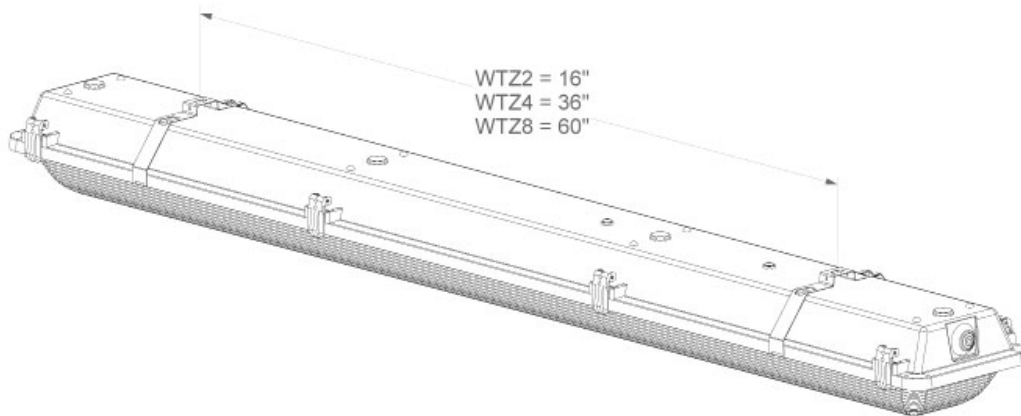


# WTZ SERIES

## INSTALLATION & MAINTENANCE MANUAL

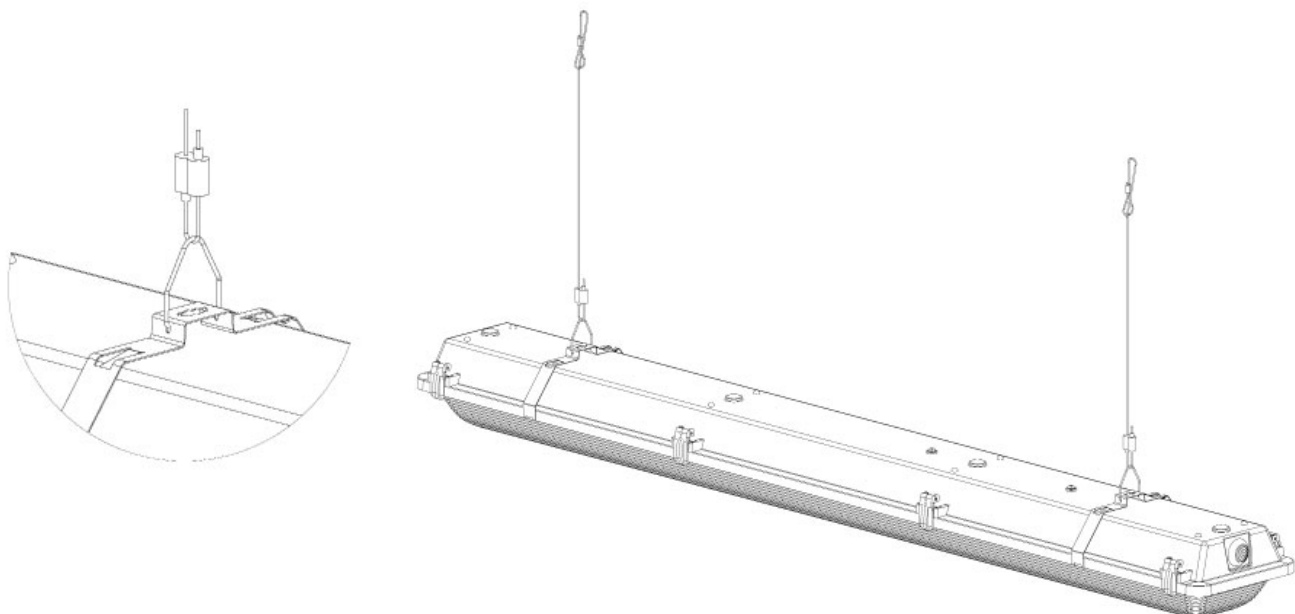
### Surface-Mount Installation (Default)

Screw the two mounting brackets to the ceiling structure using appropriate hardware (supplied by others). Snap fixture into one end of each bracket. Rotate fixture into opposite side and snap into each bracket. Dimensions are approximate.



### Cable Kit Installation

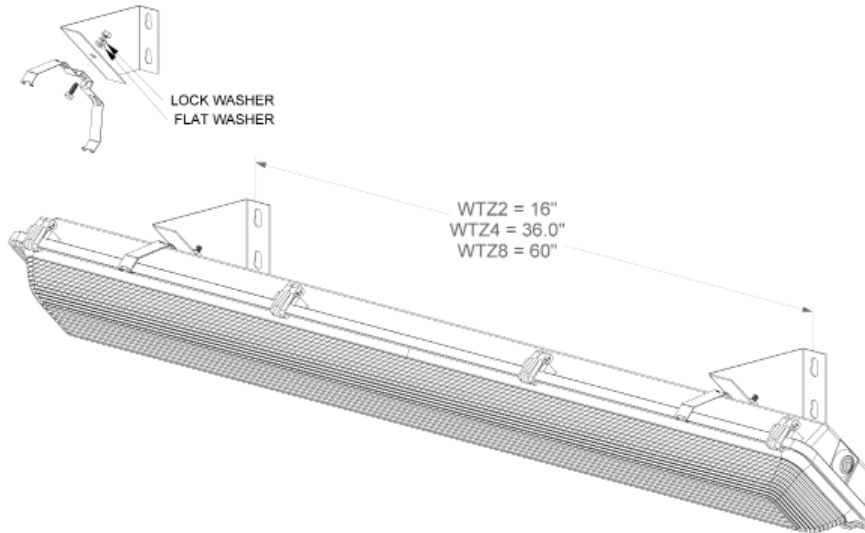
Connect the terminated end of the cable to the ceiling structure. Loop the other end of the cable into the mounting clips located at each end of the fixture as shown below. Use the locking devices to level the fixture. Dimensions are approximate.





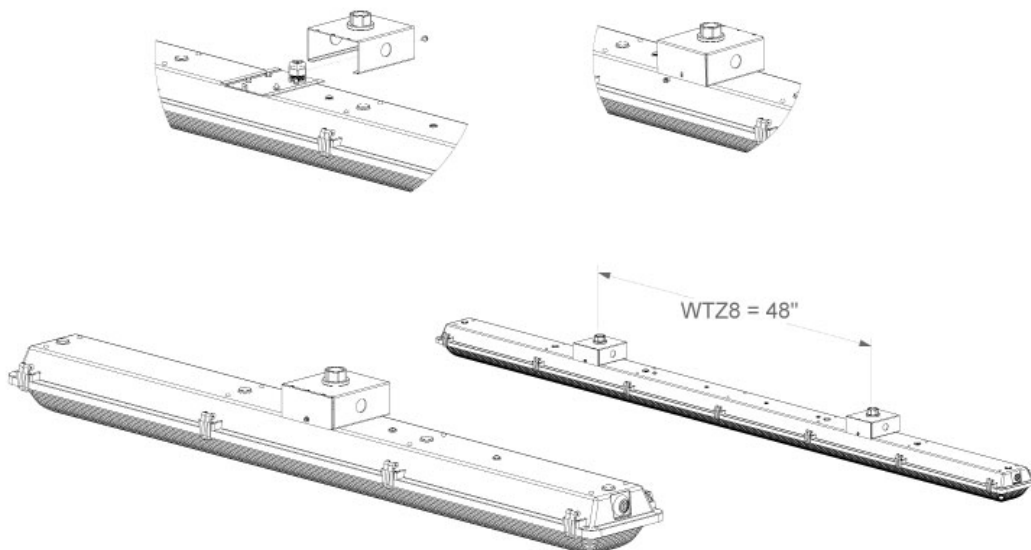
### 45° Bracket Kit Installation

Install the two brackets into the desired surface using appropriate hardware (supplied by others). Attach the standard surface-mount brackets to the 45DEG angle brackets as shown below using the supplied hardware. Attach the fixture to the brackets using the same method shown in the Surface-Mount instruction above. Dimensions are approximate.



### FMB Kit Installation

The fixture will be supplied with the FMB Slide plate already mounted. Mount the FMB Box to the building pendant conduit in preparation to slide the fixture in place. Slide the fixture into the FMB Box and secure in place with one of the supplied #8 screws. Perform the appropriate wiring connections and then attach the FMB Door to the assembly as shown using a #8 screw. For 8ft fixtures, two FMB boxes will be supplied and must be spaced accurately as shown below.





### Troubleshooting

If the fixture fails to operate once installation has been completed:

- Ensure there is power to the fixture.
- Ensure the fixture is properly wired and grounded.
- Check to see if there are any loose wires inside the light fixture.
- Ensure the line voltage at the fixture is correct.

If none of these steps resolve the issue, contact your ILP representative for further assistance.

### Maintenance

Depending on the application of the fixture, maintenance schedules will vary and should be developed by the customer following periodic observation once fixtures are in operation. At a minimum, the exterior surfaces should be wiped down as part of regular maintenance.

Due to the IP ratings of the fixture, there should be no accumulation of dust or moisture within the fixture. Therefore, the fixture should only require dusting/wipe-down of the exterior surfaces as part of the regular maintenance. However, if a more thorough cleaning is required or desired, the lens may be removed and washed according to the following steps:

#### Lens Cleaning

1. Ensure power is turned off or disconnected before proceeding with maintenance. Once fixture is powered off, ensure the fixture is given enough time to cool.
2. Identify the latches securing the lens to the housing. While supporting the lens in place, release all the latches. Carefully lower lens from housing.
3. Clean the lens using warm water, then wipe down to dry. Use non-abrasive materials to prevent damage.
4. Inspect the closed cell polyurethane gasket around the perimeter of the housing before reinstalling the lens. The gasket should have no gaps and should be capable of creating a tight seal.
5. Reinstall lens onto fixture housing.