

# LED Uplight Parking Garage Canopy Series

Wattages: 45W, 70W, 90W



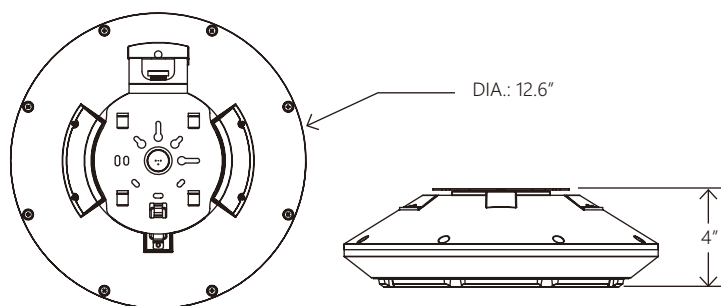
LED Uplight Parking Garage Canopy Lighting series can be widely used in indoor or outdoor lighting (wet location), like parking garages, mechanical or electronic processing workshops, storage warehouses, steel mills, gas stations, toll booth, waiting rooms, the platforms of railway station, indoor stadiums and lower cultivating tents etc.



## FEATURES

- LED high luminous efficiency and long working life.
- High efficiency LED Driver, the wide range input voltage AC120-277V.
- Die-cast aluminum cooling design, high quality and better cooling for LED  $T_j < 85^{\circ}\text{C}$ .
- Excellent optics design, greatly improve the light utilization and evenness.
- Photocell, motion sensor control available (Optional)

## DIMENSION



## SPECIFICATION

	45W	70W	90W
WATTAGE	45W	70W	90W
LUMEN	6300 lm	9800 lm	12600 lm
UPLIGHT (%)	8.9%	11.4%	14.8%
EFFICACY	140 lm/W	140 lm/W	140 lm/W
CCT	4000K, 5000K		
CRI	70		
INPUT VOLTAGE	AC120-277V		
BEAM ANGLE	156°		
POWER FACTOR	0.90		
DRIVER EFFICACY	90%		
DIMMING	1-10V dimming		
LIFE SPAN	over 50,000 hrs		
WORKING TEMPERATURE	-22°F ~ 113°F		
STORAGE TEMPERATURE	-40°F ~ 176°F		
OUTDOOR RATING	Wet location		
CABLE	3 core, 18AWG (0.3m)		
WARRANTY	5 year limited		

# LED Uplight Parking Garage Canopy Series

Wattages: 45W, 70W, 90W

Motion sensor ready

Optical lens is made of high quality PC material to make the light even and soft.

Top tier LEDs are driven well below recommended safety limits, on both drive current and junction temperature, to keep components cool – maintaining the life of the LED, allowing for a compact and efficient heat sink design.

The uplight contains a certain proportion of upward light to satisfy the visual effect.

High performance, die cast heat sink transfers heat from the light engine to the environment, via large cooling fins, drawing heat away from the fixture, and extending the lifespan of the LEDs.

Photocell ready

## EMERGENCY BACK-UP (SOLD SEPARATELY)



**WSD-EMS8W27-XX**  
8W Emergency Backup Battery LED Driver

**WSD-EMS15W27-XX**  
15W Emergency Backup Battery LED Driver

**WSD-EMS20W27-XX**  
20W Emergency Backup Battery LED Driver

## CONTROL (SOLD SEPARATELY)



**JL-413**  
Photocell control for Uplight Garage Canopy

**BRI810-B-M8**  
Microwave Motion Sensor

**BRI823-B-D**  
Microwave Motion Sensor

**RC100**  
Remote Controller

## ORDERING INFORMATION

EXAMPLE:

WSD-UPGC45W27-XXK-Z[D, W, B, S]-Y[BLANK, P]-E[BLANK, M]

WSD	UPGC	45W	27	XXK	Z	Y	E
COMPANY	PRODUCT	WATTAGE	VOLTAGE	CCT	FINISH	CONTROL 1	CONTROL 2
WSD LED INC	UPGC (Up Light Garage Canopy)	45W - (45W) 07W - (70W) 09W - (90W)	27 (AC120-277V)	40K - (4000K) 50K - (5000K)	D - (Darkr) Bronze W - (White) B - (Black) S - (Silver)	P - (Photocell)	M - (Motion Sensor)

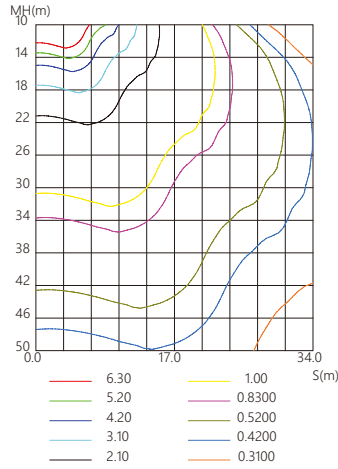
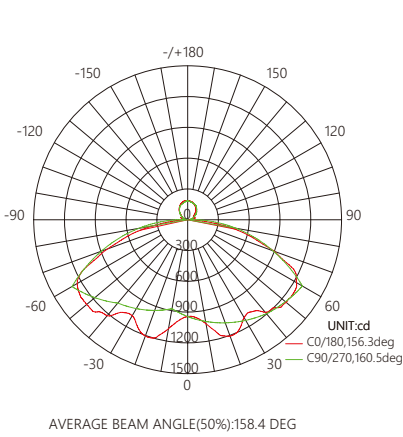
# LED Uplight Parking Garage Canopy Series

Wattages: 45W, 70W, 90W

## PHOTOMETRICS

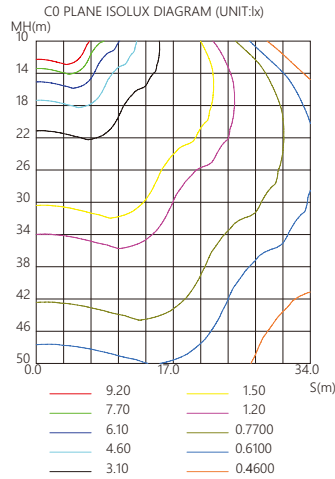
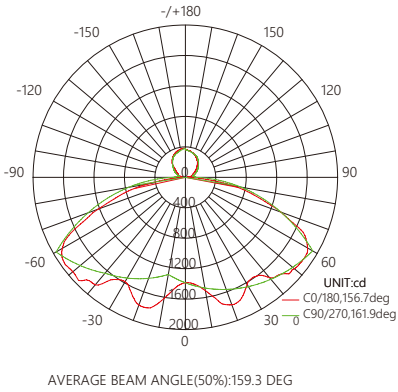
For complete IES files, please visit our website.

### WSD-UPGC45W27-40K



### WSD-UPGC07W27-40K

#### LUMINOUS INTENSITY DISTRIBUTION DIAGRAM



### WSD-UPGC09W27-40K

