

LED UFO High Bay Light

Wattages: 100W, 150W, 200W

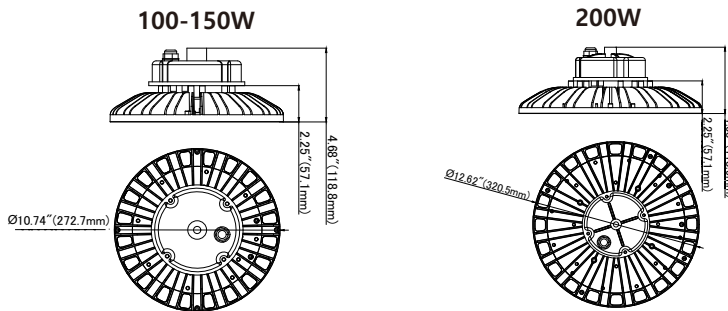


LED UFO High Bay Light series can be widely used in outdoor or indoor lighting (Wet location), Excellent for Museums, Underground parking lot, Workshop, warehouse, gymnasium and many more applications.



- ◆ LED high luminous efficiency and long working life.
- ◆ High efficiency LED Driver, the wide range input voltage AC120-277V.
- ◆ Die-cast aluminum cooling design, high quality and better cooling for LED $T_j < 85^\circ\text{C}$.
- ◆ Excellent optics design, greatly improve the light utilization and evenness.
- ◆ Wireless bluetooth system and Motion sensor control available (Optional)
- ◆ 12Vdc auxiliary dimming

DIMENSION:



Structure Features:

- ◆ Shell materials: Aluminum & PC
- ◆ Finish: BLACK (Standard)
- ◆ Net weight : 100W: 2.33Kg (5.14 lbs)
150W: 2.43Kg (5.36 lbs)
200W: 2.98Kg (6.57 lbs)
- ◆ Product Size : 100-150W: $\phi 272.7 \times 57.1 \text{mm}$
(10.74" X 2.25")
200W: $\phi 320.5 \times 57.1 \text{mm}$
(12.62" X 2.25")
- ◆ Carton Size : 100-150W: 290 X 290 X 145mm
(11.42" X 11.42" X 5.71")
200W: 335 X 335 X 145mm
(13.19" X 13.19" X 5.71")

SPECIFICATION

WATTAGE	100W	150W	200W
LUMEN	16799 lm	24000 lm	32000 lm
EFFICACY	> 160 lm/W	> 160 lm/W	> 160 lm/W
CCT	4000K, 5000K		
CRI	70		
INPUT VOLTAGE	AC120-277V / 277-480V		
BEAM ANGLE	89°		
POWER FACTOR	0.95		
DRIVER EFFICACY	90%		
DIMMING	0-10V dimming 12V Auxiliary power		
LIFE SPAN	over 50,000 hrs		
WORKING TEMPERATURE	-22°F ~ 113°F		
STORAGE TEMPERATURE	-40°F ~ 176°F		
OUTDOOR RATING	Wet location		
CABLE	3 core, 18AWG (300mm)		
WARRANTY	5 year limited		

LED UFO High Bay Light

Wattages: 100W, 150W, 200W

Bluetooth®
(Option)



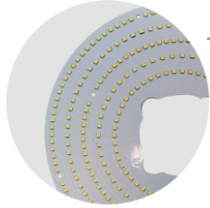
MOTION SENSOR
and Bluetooth options

Hook (Standard)



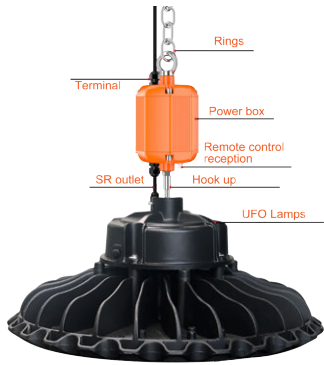
High performance, die cast heat sink transfers heat from the light engine to the environment, via large cooling fins, drawing heat away from the fixture, and extending the lifespan of the LEDs.

Optical lens is made of high quality PC material to make the light even and soft.



Top tier LEDs are driven well below recommended safety limits, on both drive current and junction temperature, to keep components cool – maintaining the life of the LED, allowing for a compact and efficient heat sink design.

EMERGENCY BACK-UP (SOLD SEPARATELY)



LECV-UFO30D/R
LECV-UFO40D/R
LECV-UFO60D/R
30W/40W/60W Emergency Backup Battery

CONTROL (SOLD SEPARATELY)



ANT-5-4T-BLE*
Bluetooth
Microwave
Motion Sensor



ANT-5-4T
Motion Sensor
Bi-level microwave Sensor



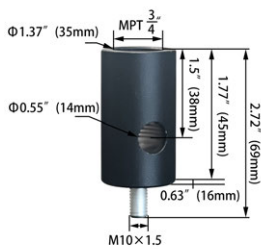
RC100
Remote Controller



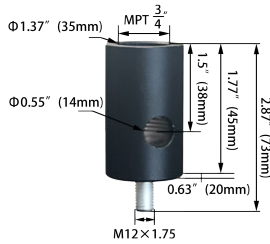
Trunion
Item: UFO-T
Trunion, Mainly used for indoor or outdoor ceiling installation, can be directly mounted on the ceiling.

MOUNTING(OPTION)

ACCESSORIES(SOLD SEPARATELY)



UFO High Bay Lights Pendant Adaptor
Item: PDUFO-M10-3/4
Main Parameters: bottom screw M10, top thread NTP3/4"
Material: Aluminum



UFO High Bay Lights Pendant Adaptor
Item: PDUFO-M12-3/4
Main Parameters: bottom screw M12, top thread NTP3/4"
Material: Aluminum



Glare shield on lens bottom
Item: UFO-BPC
Main Parameters:
φ15.9"(404mm)X1.5"(40mm)



The PC cover
Item: UFO-150PC/UFO-200PC
Main Parameters:
100-150W: φ16.3"(413mm)X6.0"(153mm)
200W: φ16.3"(413mm)X7.8"(199mm)

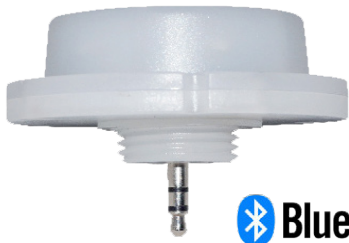
ORDERING INFORMATION

EXAMPLE: **WSD-UFO10W27-XXK-Z[D,W,B,S]-U[H,T]-E[BLANK,M]-G2** / **WSD-UFO10W48-XXK-Z[D,W,B,S]-U[H,T]-E[BLANK,M]-G2**

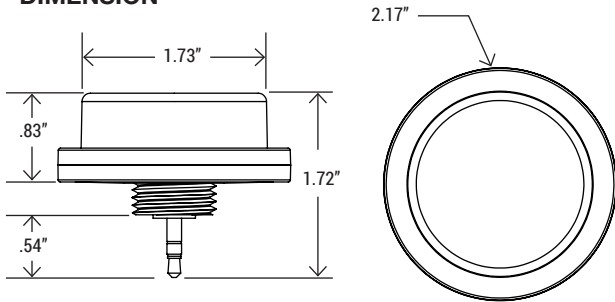
WSD	UFO	10W	27	XXK	Z	U	E	G2
COMPANY	PRODUCT	WATTAGE	VOLTAGE	CCT	FINISH	MOUNTING	CONTROL	G2
WSD LED INC	UFO (UFO High Bay Light)	10W - (100W) 15W - (150W) 20W - (200W)	27 (AC120-277V) 48 (AC277-480V)	40K - (4000K) 50K - (5000K)	D - (Dark Bronze) W - (White) B - (Black) S - (Silver)	H - (Hook) T - (Trunion)	M - (Motion Sensor)	G2 - (Second generation)

LED UFO High Bay Light

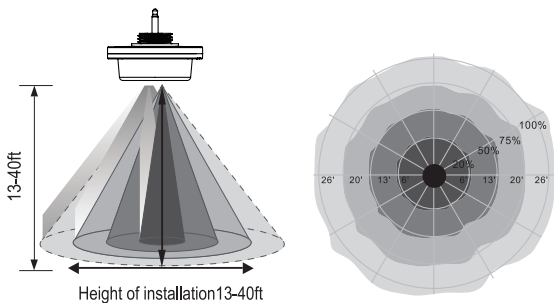
Wattages: 100W, 150W, 200W



DIMENSION



COVERAGE



MICROWAVE SENSOR FEATURES

DAYLIGHT HARVESTING	On/Off
MOTION SENSING	On/Off
FIRST TIME DELAY	1-59 mins/infinite
SECOND TIME DELAY	0-59 mins/infinite
DIM LEVEL	0-100%
MOUNTING HEIGHT	13-40ft
DETECTION RANGE	up to 52ft diameter
DETECTION: HORIZONTAL	360°
DETECTION: VERTICAL	90°

ANT-5-4T-BLE

Plug and Play Network BLE Nodes and Sensor

The Bluetooth Lighting Control provides automated individual and group control of light fixtures using on sensors and Bluetooth mesh technology. The ANT-5-4T-BLE mounted in an Commercial lighting fixture and provides multi-level control solution based on motion and or daylight harvesting contribution.

FEATURES

- Lighting controls meet design lights consortium (DLC) networked lighting control system technical requirements (Version NLC5 June 23, 2020).
- Quick connect and adjust different sensor angle.
- Easy commissioning with Tuya/Sharkward App (Available in IOS and Android).
- Bluetooth network with Saas working by computer
- Individual addressability and/or grouping.
- Time clock scheduling for individual lights, groups or scenes.
- Multi-level dimming: manual ON/OFF automatic ON/OFF, and automatic partial ON/OFF, daylight harvesting control capability.

SPECIFICATION

NETWORK BLE MESH	Yes
DAYLIGHT HARVESTING	Yes
MICROWAVE MOTION SENSOR	Yes
DETECTION MODE	Occupancy/Vacancy/Bi-level in 1 Unit
OPERATING VOLTAGE	12-24V DC
OPERATING CURRENT	>50mA
SINKING CURRENT	max. 25mA
CONTROL OUTPUT	0-10V
RADIO FREQUENCY	2.4GHz ± 75MHz
WIRELESS STANDARD	BLE 4.2 MESH IEEE 802.15.1
PROGRAMMING	Tuya/Sharkward App mobile app (IOS and android) or Saas
CYBERSECURITY	UL 1376
ENCRYPTION	AES 128-bit
MESH RANGE	60ft node-to-node and 500ft node-to-device (Commissioning)
SAFETY	cULus Listed
FCC	FCC ID:2AVMOANT-5-X
OPERATING TEMP.	-40°F - +158°F (-40°C - +70°C)
IP RATING	IP65
WARRANTY	5 year limited

COMMISSIONING

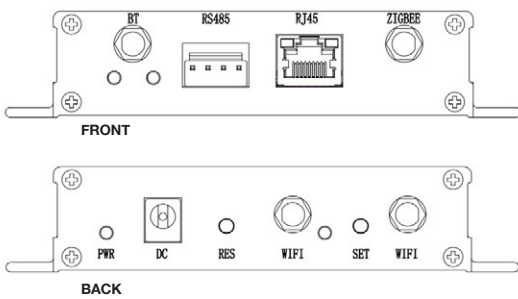
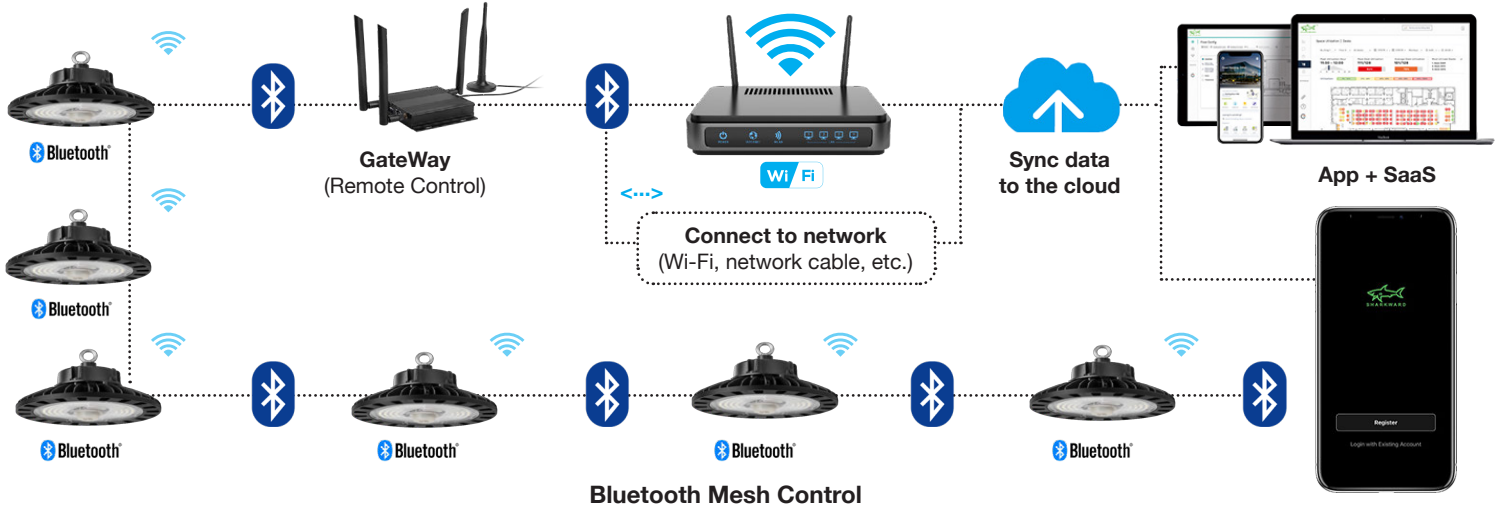
Tuya/Sharkward mobile App makes it easy to pair devices, create groups, set scenes/schedules, customize dimming levels, and adjust high trim based on application needs.



LED UFO High Bay Light

Wattages: 100W, 150W, 200W

GATEWAY REMOTE CONTROL



INDUSTRIAL GATEWAY

SK18WG

Smart Engineering Gateway

- One gateway can control max. 200pcs Bluetooth Motion sensors.
- This distance is for reference only, the construction site conditions are different, and the distance may deviate.
- The gateway can cover up to 500ft distance.
- Bluetooth between Bluetooth communication up to 60ft.

Consult factory for more details.

SPECIFICATION

INPUT VOLTAGE	100-240VAC, 50-60Hz
OUTPUT VOLTAGE	5V= 2000MA
WORKING TEMPERATURE	-10°C ~ 45°C
STORAGE TEMPERATURE	-20°C ~ 60°C
WORKING HUMIDITY	10%-90%RH (No condensation)
STORAGE HUMIDITY	5%-90%RH (No condensation)
DIMENSIONS	4.25''x5.18''x1.07'' (LxWxH)
WEIGHT	0.81 lbs

RF CHARACTERISTICS

	WIFI	BLUETOOTH	ZIGBEE
WIRELESS FREQUENCY	2.400 ~2.4835 GHz	2.400 ~ 2.4835 GHz	2.400 ~ 2.480 GHz
NETWORK STANDARD	WIFI 802.11 b/g/n	IEEE 802.15	IEEE 802.15.4
TRANSMIT POWER	20dBm	8dBm	Nominal 10dBm, up to 19dBm
CHANNELS	CH1-CH14	CH0 - CH39	CH11-CH26
TRANSFER SPEED	11b:1,2,5,5, 11 (Mbps) 11g:6,9,12,18,24,36,48,54 (Mbps) 11n:HT20 MCS0~7 11n:HT40 MCS0~7	1Mbps/2Mbps	250Kbps

LED UFO High Bay Light

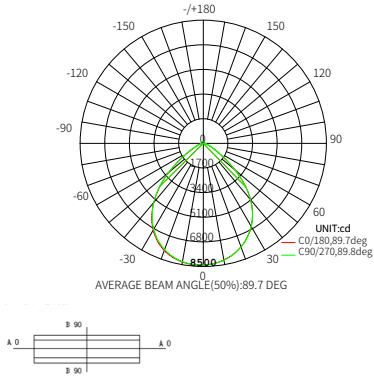
Wattages: 100W, 150W, 200W

PHOTOMETRICS

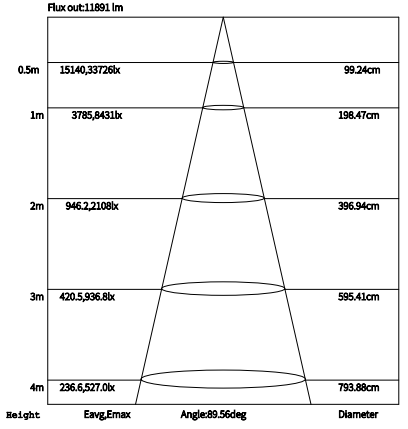
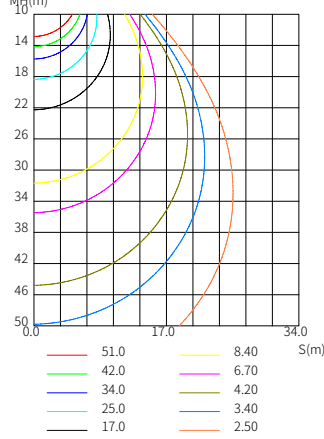
For complete IES files, please visit our website.

WSD-UFO10W27-50K-B-H-G2

LUMINOUS INTENSITY DISTRIBUTION DIAGRAM

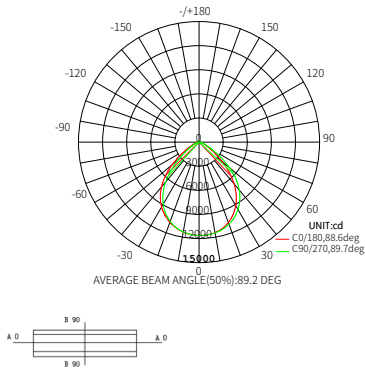


C0 PLANE ISOLUX DIAGRAM (UNIT:lx)

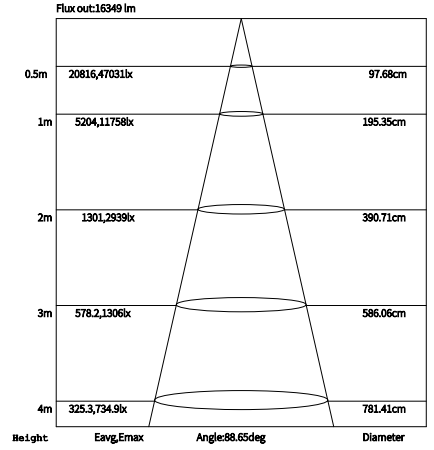
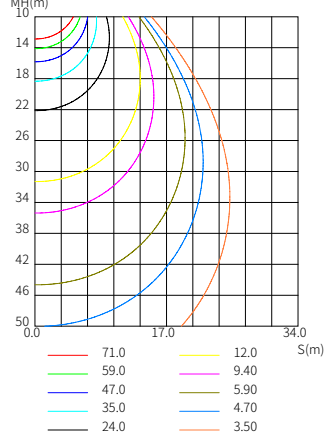


WSD-UFO15W27-50K-B-H-G2

LUMINOUS INTENSITY DISTRIBUTION DIAGRAM

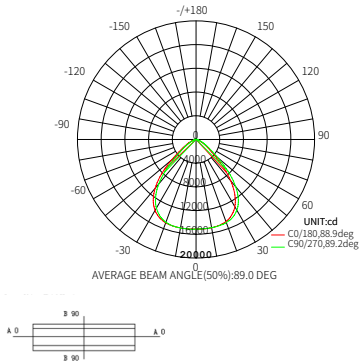


C0 PLANE ISOLUX DIAGRAM (UNIT:lx)



WSD-UFO20W27-50K-B-H-G2

LUMINOUS INTENSITY DISTRIBUTION DIAGRAM



C0 PLANE ISOLUX DIAGRAM (UNIT:lx)

