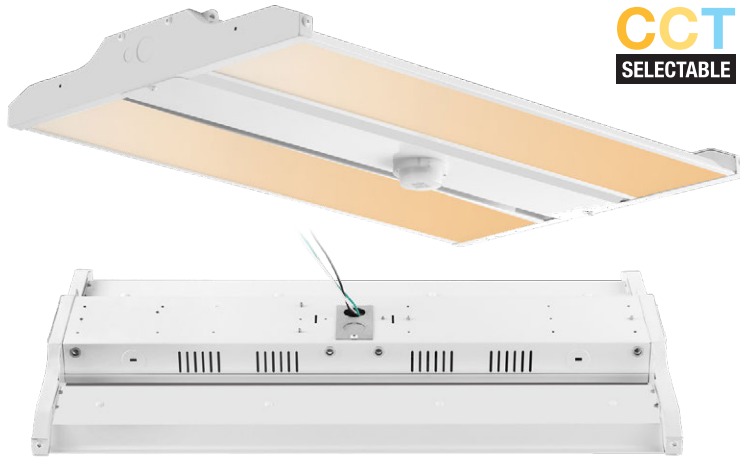


LED Linear High Bay CCT Selectable Series



Wattage: 85W, 130W, 170W, 255W, 300W, 400W



**CCT
SELECTABLE**

The Linear High Bay with its all-in-one, lightweight and slim with multiple mounting situations available put it at the top of the list for any high ceiling area where super bright light is needed. The LED Linear High Bay Light Series can be widely used for indoor excellent for warehouse, industry building, factories, fitness center, and many other applications.



MESH RANGE 60ft node-to-node and 500ft node-to-Gateway (Commissioning)

FEATURES

- Optical design, greatly improved the light utilization an evenness.
- High efficiency LED Driver, voltage AC120-277 and 277V-480V.
- Rugged galvanized rolled iron plate housing, better cooling, light quality, LED Tj < 85°C.
- 0-10V dim to 10%.
- 12Vdc auxiliary dimming
- Field install plug and play Bi-Level Sensor.



Bluetooth®
(Option)

Easy field-install motion sensor

SPECIFICATION						
WATTAGE	85W	130W	170W	255W	300W	400W
LUMEN	11475 lm	17680 lm	23120 lm	34680 lm	40800 lm	54000 lm
EFFICACY	135 lm/W	135 lm/W	136 lm/W	136 lm/W	136 lm/W	135 lm/W
CCT	4000K/5000K					
CRI	80					
INPUT VOLTAGE	AC120-277V and 277V-480V					
LIGHT ANGLE	105°					
POWER FACTOR	0.98					
DRIVER EFFICACY	90%					
FACTORY SETTINGS	5000K					
LIFE SPAN	over 75,000 hrs					
WORKING TEMPERATURE	-22°F ~ 113°F					
STORAGE TEMPERATURE	-40°F ~ 176°F					
PROTECTION LEVEL	Dry location					
CABLE	Input connect, No cable					
WARRANTY	5 year limited					



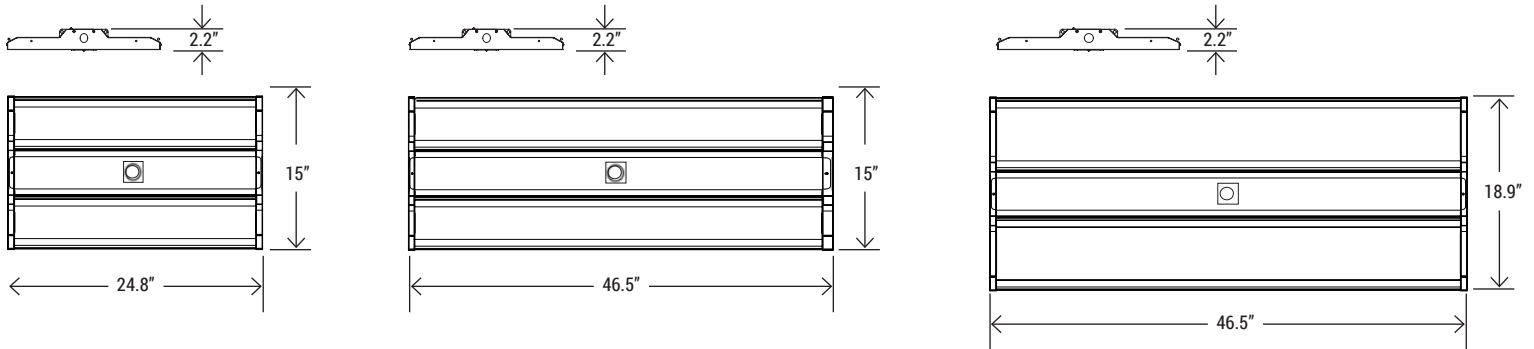
Warehouse-Lighting.com
2750 South 163rd St
New Berlin, WI 53151

Warehouse-Lighting.com
Phone: 888-454-4480
requests@warehouse-lighting.com

LED Linear High Bay CCT Selectable Series

Wattage: 85W, 130W, 170W, 255W, 300W, 400W

DIMENSION



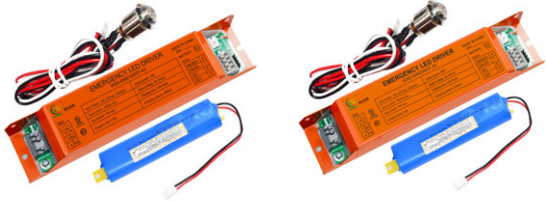
WATTAGE	85W, 130W, 170W
GR. WEIGHT	10.36 lbs/11.24 lbs
BOX DIM.	25.9" x 15.4" x 2.6"

WATTAGE	255W
GR. WEIGHT	17.9 lbs
BOX DIM.	47.6" x 15.4" x 2.6"

WATTAGE	300W, 400W
GR. WEIGHT	19.84 lbs
BOX DIM.	47.6" x 19.3" x 2.6"

EMERGENCY BACK-UP (SOLD SEPARATELY)

CONTROL (SOLD SEPARATELY)



WSD-EMS15W27-XX
15W Emergency Backup
Battery LED Driver

**(Low voltage
models only)**

WSD-EMS20W27-XX
20W Emergency Backup
Battery LED Driver

**(Low voltage
models only)**



ANT-5-4T-BLE*
Bluetooth
Microwave
Motion Sensor

BRI-PP01*
Bluetooth
Fixture Controller for
Bluetooth Sensor
(See full details)

ANT-5-4T
Bi-level
microwave
Sensor

ANT-6-4T
PIR Motion
Sensor

RC
Remote
Controller

*MESH RANGE

60ft node-to-node and 500ft node-to-Gateway (Commissioning)

ORDERING INFORMATION

EXAMPLE:

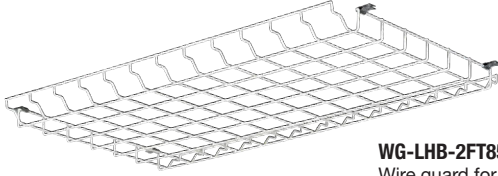
LHB-2F85W27-4050K-E[Blank,M]-GEN2 / LHB-2F170W48-4050K-E[Blank,M] / LHB-4F300W48-4050K-E[Blank,M]

LHB	2F	85W	27	4050K	E	GEN2
PRODUCT	SIZE	WATTAGE	VOLTAGE	CCT	CONTROL	UPDATE
LHB (Linear Hig Bay)	2F (2-foot) 4F (4-foot)	85W - (85W) 130W - (130W) 170W - (170W) 255W - (255W) 300W - (300W) 400W - (400W)	27 (AC120-277V) 48 (AC277-480V) (The high voltage are only 170W and 300W)	4050K - (4000K/5000K)	Motion Sensor	Second generation product (Low voltage models only)

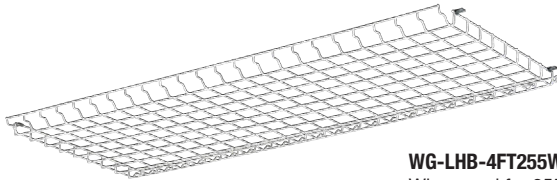
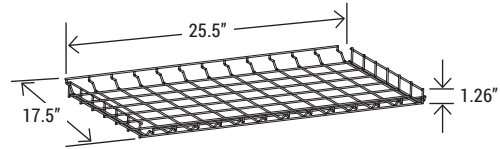
LED Linear High Bay CCT Selectable Series

Wattage: 85W, 130W, 170W, 255W, 300W, 400W

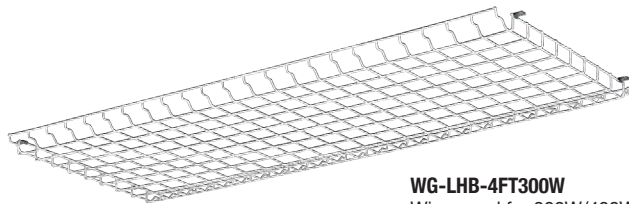
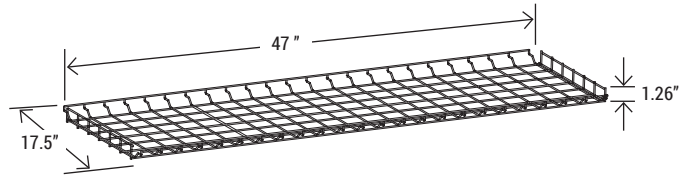
WIRE GUARD (SOLD SEPARATELY)



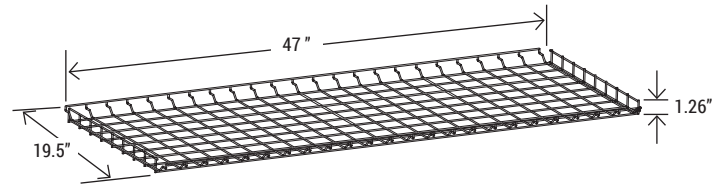
WG-LHB-2FT85W-130W-170W
Wire guard for 85W/130W/170W



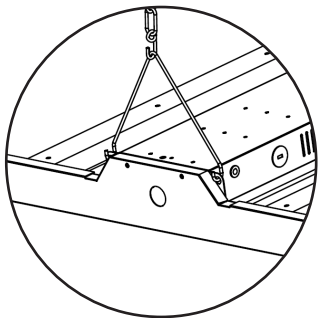
WG-LHB-4FT255W
Wire guard for 255W



WG-LHB-4FT300W
Wire guard for 300W/400W

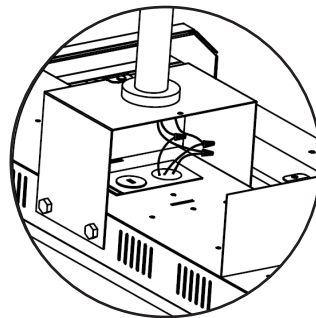


INCLUDED IN THE PACKAGE



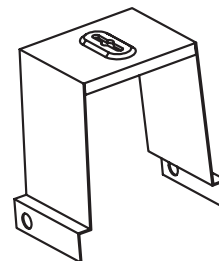
CHAINS/HOOK

MOUNTING OPTION



J-BOX OPTION

SURFACE MOUNT KIT (SOLD SEPARATELY)



SURFACE MOUNT KIT-LHBG2
Surface mount kit

LED Linear High Bay CCT Selectable Series

Wattage: 85W, 130W, 170W, 255W, 300W, 400W



ANT-5-4T-BLE

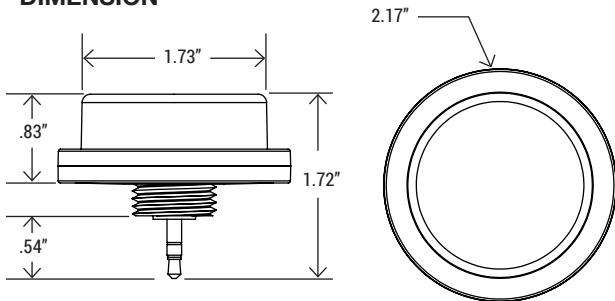
Plug and Play Network BLE Nodes and Sensor

The Bluetooth Lighting Control provides automated individual and group control of light fixtures using on sensors and Bluetooth mesh technology. The ANT-5-4T-BLE mounted in an Commercial lighting fixture and provides multi-level control solution based on motion and or daylight harvesting contribution.

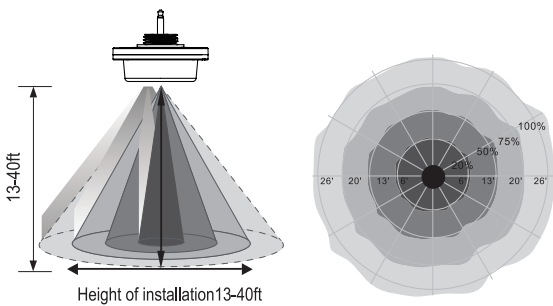
FEATURES

- Lighting controls meet design lights consortium (DLC) networked lighting control system technical requirements (Version NLC5 June 23, 2020).
- Quick connect and adjust different sensor angle.
- Easy commissioning with Tuya/Sharkward App (Available in IOS and Android).
- Bluetooth network with Saas working by computer
- Individual addressability and/or grouping.
- Time clock scheduling for individual lights, groups or scenes.
- Multi-level dimming: manual ON/OFF automatic ON/OFF, and automatic partial ON/OFF, daylight harvesting control capability.

DIMENSION



COVERAGE



SPECIFICATION

NETWORK BLE MESH	Yes
DAYLIGHT HARVESTING	Yes
MICROWAVE MOTION SENSOR	Yes
DETECTION MODE	Occupancy/Vacancy/Bi-level in 1 Unit
OPERATING VOLTAGE	12-24V DC
OPERATING CURRENT	>50mA
SINKING CURRENT	max. 25mA
CONTROL OUTPUT	0-10V
RADIO FREQUENCY	2.4GHz ± 75MHz
WIRELESS STANDARD	BLE 4.2 MESH IEEE 802.15.1
PROGRAMMING	Tuya/Sharkward App mobile app (IOS and android) or Saas
CYBERSECURITY	UL 1376
ENCRYPTION	AES 128-bit
MESH RANGE	60ft node-to-node and 500ft node-to-device (Commissioning)
SAFETY	cULus Listed
FCC	FCC ID:2AVMOANT-5-X
OPERATING TEMP.	-40°F - +158°F (-40°C - +70°C)
IP RATING	IP65
WARRANTY	5 year limited

MICROWAVE SENSOR FEATURES

DAYLIGHT HARVESTING	On/Off
MOTION SENSING	On/Off
FIRST TIME DELAY	1-59 mins/infinite
SECOND TIME DELAY	0-59 mins/infinite
DIM LEVEL	0-100%
MOUNTING HEIGHT	13-40ft
DETECTION RANGE	up to 52ft diameter
DETECTION: HORIZONTAL	360°
DETECTION: VERTICAL	90°

COMMISSIONING

Tuya/Sharkward mobile App makes it easy to pair devices, create groups, set scenes/schedules, customize dimming levels, and adjust high trim based on application needs.



Warehouse-Lighting.com
2750 South 163rd St
New Berlin, WI 53151

Warehouse-Lighting.com
Phone: 888-454-4480
requests@warehouse-lighting.com



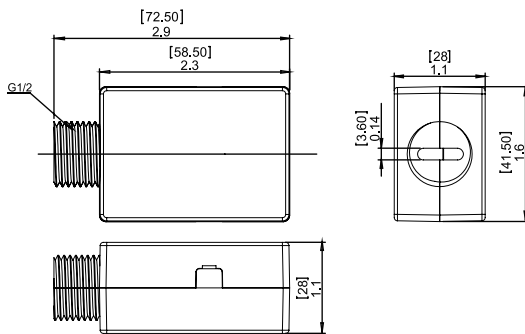
WAREHOUSE-LIGHTING.COM

LED Linear High Bay CCT Selectable Series

Wattage: 85W, 130W, 170W, 255W, 300W, 400W



DIMENSION



COMMISSIONING

Tuya/Sharkward mobile App makes it easy to pair devices, create groups, set scenes/schedules, customize dimming levels, and adjust high trim based on application needs.



BRI-PP01

Fixture Controller for Bluetooth Sensor

The Bluetooth Lighting Control provides automated individual and group control of light fixtures using on sensors and Bluetooth sigmesh technology. The BRI-PP01 mounted in an Indoor lighting fixture and provides multi-level control solution based on motion and or daylight harvesting contribution.

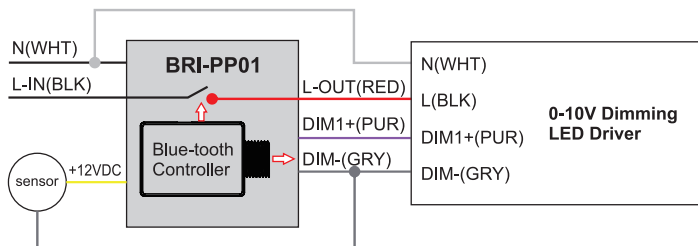
FEATURES

- Lighting controls meet design lights consortium (DLC) networked lighting control system technical requirements (Version NLC5)
- Quick connect and adjust different sensor angle
- Easy commissioning with Tuya/Sharkward App (Available in IOS and Android)
- Bluetooth network with Saas working by computer
- Individual addressability and/or grouping
- Time clock scheduling for individual lights, groups or scenes
- Multi-level dimming: manual

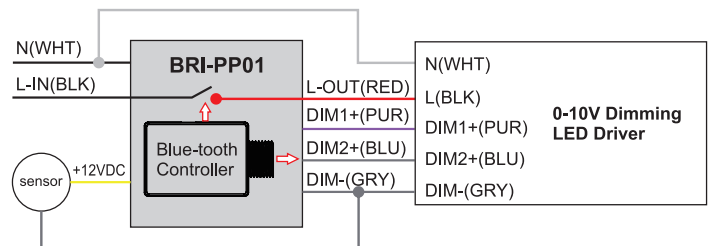
SPECIFICATION

OPERATING VOLTAGE	120-277VAC, 50-60Hz
MAXIMUM LOAD	5A, 600W Max. for LED driver only
CONTROL OUTPUT	2-channel 0-10V output signals ,1 for dimming, 1 for CCT
SINKING CURRENT	max. 25mA
RADIO FREQUENCY	2.4GHz ± 75MHz
WIRELESS STANDARD	BLE 4.2 MESH IEEE 802.15.1
PROGRAMMING	Tuya/Sharkward App mobile app (IOS and Android) or Saas
CYBER SECURITY	UL 1376
ENCRYPTION	AES 128-bit
MESH RANGE	60ft node-to-node and 500ft node-to-device (Commissioning)
SAFETY	cULus Listed
FCC	FCC ID
OPERATING TEMP.	-40°F - +158°F (-40°C - +70°C)
WARRANTY	5 year limited

WIRING DIAGRAM



One-channel Brightness Dimming Application



Two-channel Color Tuning Application



WAREHOUSE-LIGHTING.COM

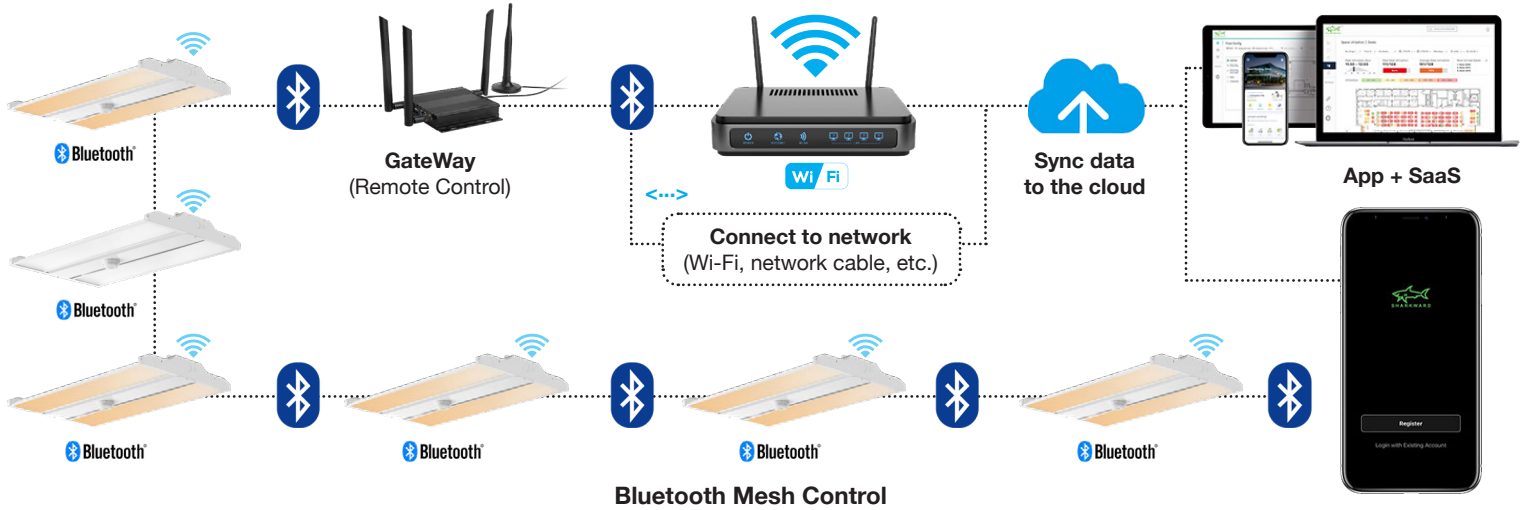
Warehouse-Lighting.com
2750 South 163rd St
New Berlin, WI 53151

Warehouse-Lighting.com
Phone: 888-454-4480
requests@warehouse-lighting.com

LED Linear High Bay CCT Selectable Series

Wattage: 85W, 130W, 170W, 255W, 300W, 400W

GATEWAY REMOTE CONTROL



INDUSTRIAL GATEWAY

SK18WG

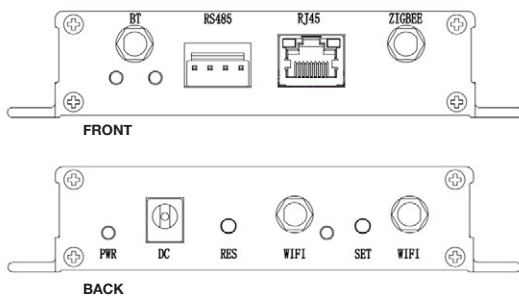
Smart Engineering Gateway

- One gateway can control max. 200pcs Bluetooth Motion sensors.
- This distance is for reference only, the construction site conditions are different, and the distance may deviate.
- The gateway can cover up to 500ft distance.
- Bluetooth between Bluetooth communication up to 60ft.

Consult factory for more details.

SPECIFICATION

INPUT VOLTAGE	100-240VAC, 50-60Hz
OUTPUT VOLTAGE	5V= 2000MA
WORKING TEMPERATURE	-10°C ~ 45°C
STORAGE TEMPERATURE	-20°C ~ 60°C
WORKING HUMIDITY	10%-90%RH (No condensation)
STORAGE HUMIDITY	5%-90%RH (No condensation)
DIMENSIONS	4.25"×5.18"×1.07" (L×W×H)
WEIGHT	0.81 lbs



RF CHARACTERISTICS

	WIFI	BLUETOOTH	ZIGBEE
WIRELESS FREQUENCY	2.400 ~2.4835 GHz	2.400 ~ 2.4835 GHz	2.400 ~ 2.480 GHz
NETWORK STANDARD	WIFI 802.11 b/g/n	IEEE 802.15	IEEE 802.15.4
TRANSMIT POWER	20dBm	8dBm	Nominal 10dBm, up to 19dBm
CHANNELS	CH1-CH14	CH0 - CH39	CH11-CH26
TRANSFER SPEED	11b:1,2,5,5, 11 (Mbps) 11g:6,9,12,18,24,36,48,54 (Mbps) 11n:HT20 MCS0~7 11n:HT40 MCS0~7	1Mbps/2Mbps	250Kbps



WAREHOUSE-LIGHTING.COM

Warehouse-Lighting.com
2750 South 163rd St
New Berlin, WI 53151

Warehouse-Lighting.com
Phone: 888-454-4480
requests@warehouse-lighting.com

LED Linear High Bay CCT Selectable Series

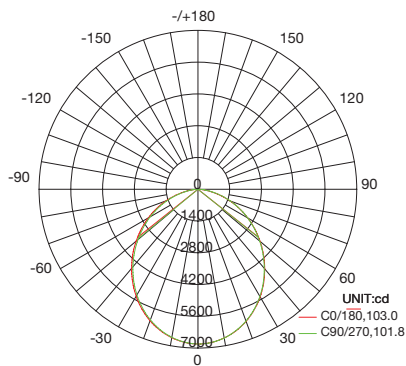
Wattage: 85W, 130W, 170W, 255W, 300W, 400W

PHOTOMETRICS

For complete IES files, please visit our website.

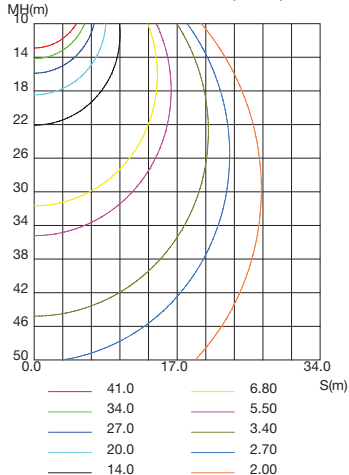
LHB-2F130W27-4050K

LUMINOUS INTENSITY DISTRIBUTION DIAGRAM

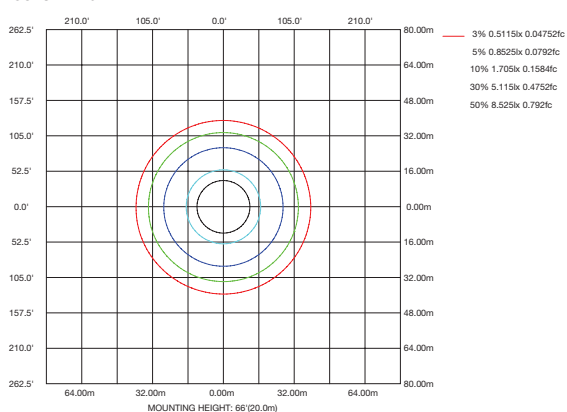


AVERAGE BEAM ANGLE(50%):102.4 DEG

C0 PLANE ISOLUX DIAGRAM (UNIT:lx)

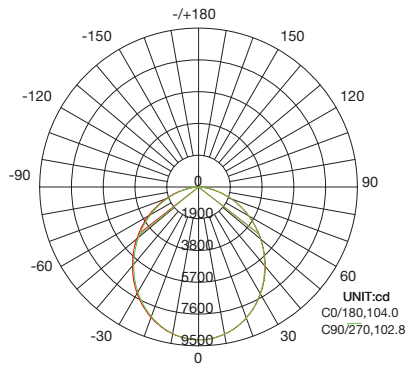


ISOLUX DIAGRAM



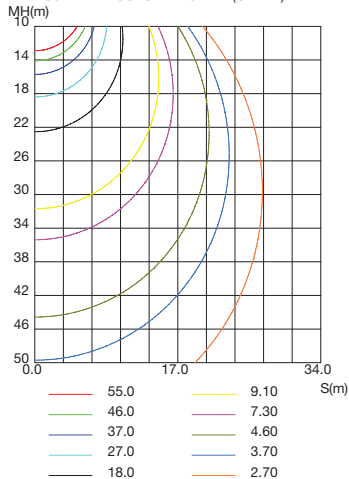
LHB-2F170W27-4050K

LUMINOUS INTENSITY DISTRIBUTION DIAGRAM

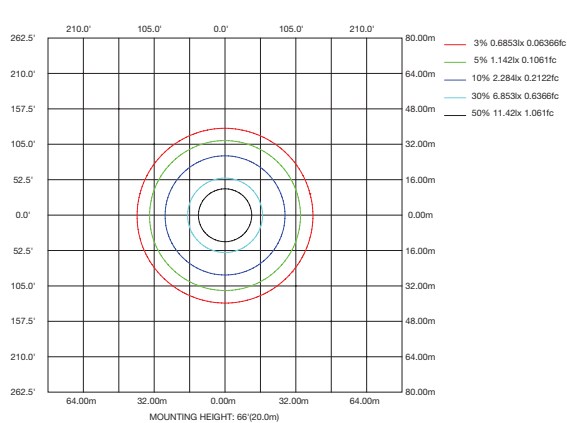


AVERAGE BEAM ANGLE(50%):103.4 DEG

C0 PLANE ISOLUX DIAGRAM (UNIT:lx)

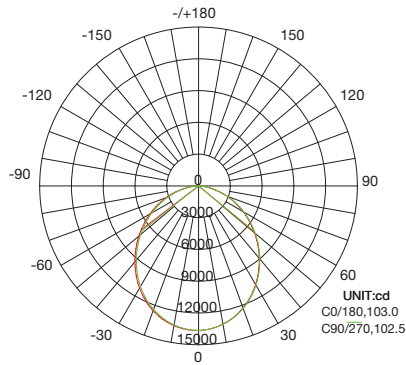


ISOLUX DIAGRAM



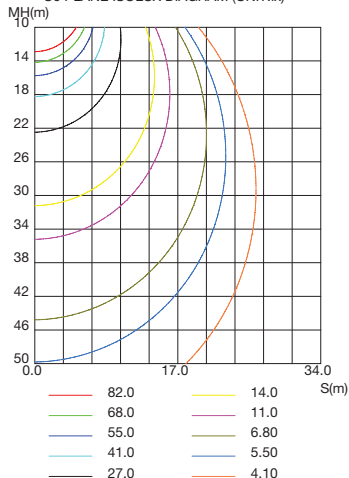
LHB-4F255W27-4050K

LUMINOUS INTENSITY DISTRIBUTION DIAGRAM

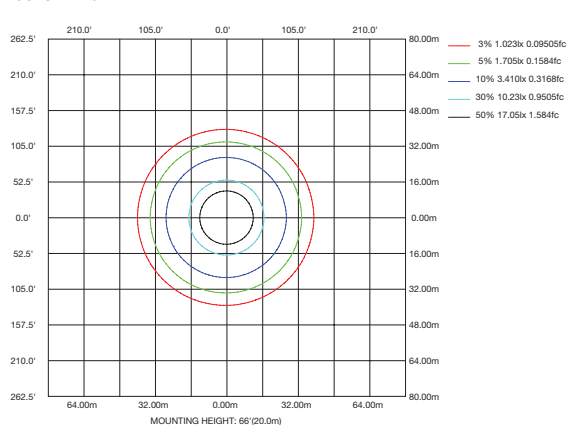


AVERAGE BEAM ANGLE(50%):102.8 DEG

C0 PLANE ISOLUX DIAGRAM (UNIT:lx)



ISOLUX DIAGRAM



Warehouse-Lighting.com
2750 South 163rd St
New Berlin, WI 53151

Warehouse-Lighting.com
Phone: 888-454-4480
requests@warehouse-lighting.com

LED Linear High Bay CCT Selectable Series

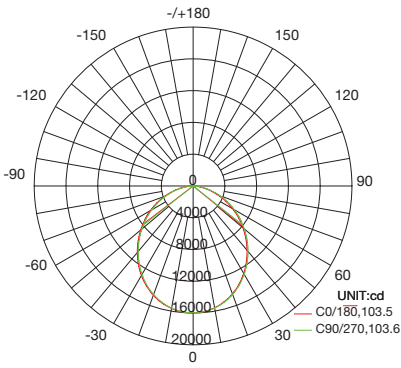
Wattage: 85W, 130W, 170W, 255W, 300W, 400W

PHOTOMETRICS

For complete IES files, please visit our website.

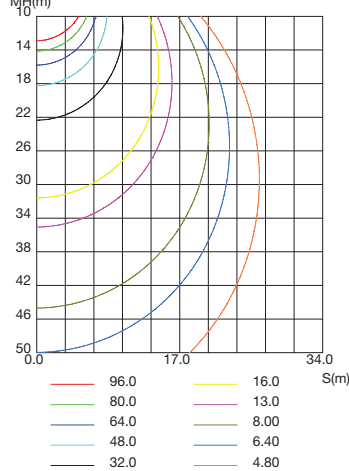
LHB-4F300W27-4050K

LUMINOUS INTENSITY DISTRIBUTION DIAGRAM

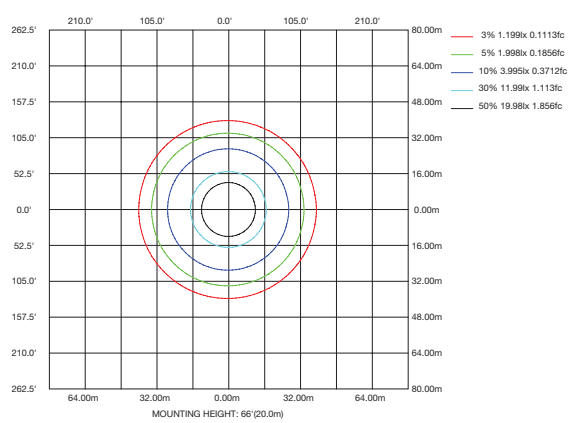


AVERAGE BEAM ANGLE(50%):103.6 DEG

C0 PLANE ISOLUX DIAGRAM (UNIT:lx)

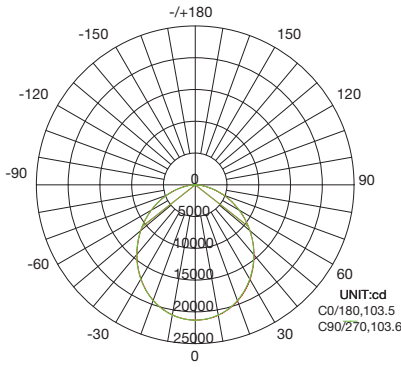


ISOLUX DIAGRAM



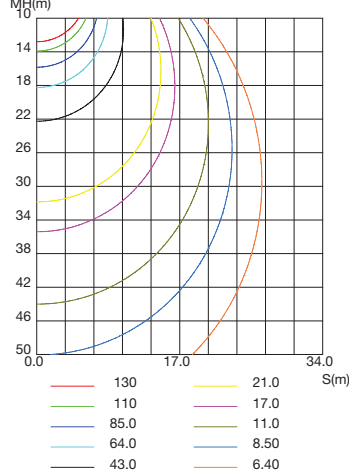
LHB-4F400W27-4050K

LUMINOUS INTENSITY DISTRIBUTION DIAGRAM

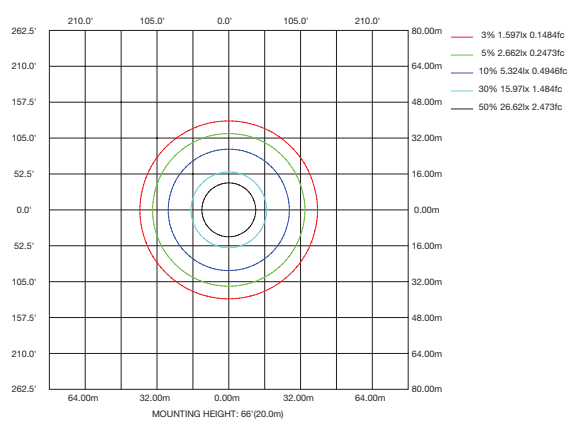


AVERAGE BEAM ANGLE(50%):103.6 DEG

C0 PLANE ISOLUX DIAGRAM (UNIT:lx)



ISOLUX DIAGRAM



Sharkward Lighting Control System



Google Play



Android



iOS



WAREHOUSE-LIGHTING.COM

Warehouse-Lighting.com
2750 South 163rd St
New Berlin, WI 53151

Warehouse-Lighting.com
Phone: 888-454-4480
requests@warehouse-lighting.com