



WSD LED INC  
Green Lighting Resources

20210131 VER.1.0



# 760W

# LED GROW LIGHT



[www.wsdled.cc](http://www.wsdled.cc)

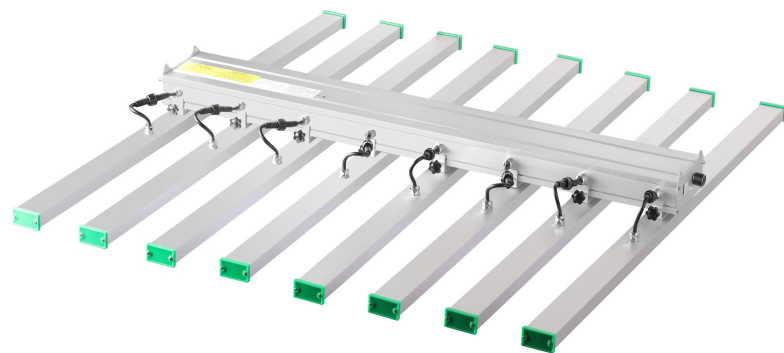


The LED Grow Light is a high performance LED grow light for the horticulture cultivation. It is designed specifically for high PPFd cultivation practices in vertical farming. Full spectrum design with spectral tuning capabilities cover each critical phase of growth from vegetative to flowering.

The LED Grow Light is DAMP water resistant rated, UL 8800 certified, and Horti DLC certified for energy efficiency rebate eligibility. With unbeatable safety, reliability, savings and performance the LED Grow Light is unquestionably the right choice for cultivators who demand only the best.

Tel: 469.857.5693 | E-mail: [leo.zhu@wisdom-ssl.com](mailto:leo.zhu@wisdom-ssl.com)

# WSD-GL760W27-F1-S



Physical	
Total Length	1107mm 43.58"
Total Width	1003mm 39.50"
Total Height	102.5mm 4.03"
Total Weight	13.4kg 29.5lbs
Box Dimensions	45.67" x 17.52" x 5.51"
Mounting Height	8" - 18" Distance To Canopy
Warranty	5 Years
Performance	
Input Voltage	120-277V
Input Power	760W
Min Power Factor	>0.95%
Thermal Management	Passive
Lifetime	L90: >54,000 hrs
Power Cord	Selection Required
BTUs	2283 BTU/hrs
PPF	1976 umol/s
PPE	2.60 umol/j
Cooling	Passive
Dimming	40-100%
Max Operation Temp	113 °F [45 °C]
Performance Requirements	
Rated Mains Voltage	120-277 V
Mains Frequency	50/60Hz
Operation Frequency	50/60Hz

## Total Control:

The DE-SCP-01 is controller with Grower's Choice Master Controllers and is compatible with all quality master controllers. Cultivators can set the fixture to turn off and on at desired times, program sunrise/sunset settings, program dimming options and set protective fail safes to dim or turn off fixtures in the event of excessive room temperatures, such as in the event of HVAC failure, potential saving gardens from heat damage.



**WARNING - POSSIBLE RISK OF INJURY TO EYES AND SKIN**

Hazardous optical UV, HEV, and IR radiation may be emitted from the light source. Always wear personal protective equipment ensuring complete shielding of skin and eyes. Avoid prolonged exposure and looking directly at light source.

## PPFD: PHOTOSYNTHETIC PHOTON FLUX DENSITY

ALL TESTS CONDUCTED WITH 100% DRIVER POWER

HEIGHT TO TEST POINT

CANOPY AVERAGE PPFD

1.5MX1.5M/4.92 ft x 4.92 ft

739.21	894.34	1065.21	967.19	767.54
943.65	1247.58	1355.90	1305.55	991.73
1023.51	1315.09	1507.49	1407.82	1043.78
951.16	1289.48	1409.61	1371.39	1008.72
793.38	899.82	998.68	930.07	814.63

GL-760W 2.6umol/j 12"/305mm Height

HEIGHT TO TEST POINT

CANOPY AVERAGE PPFD

1.5MX1.5M/4.92 ft x 4.92 ft

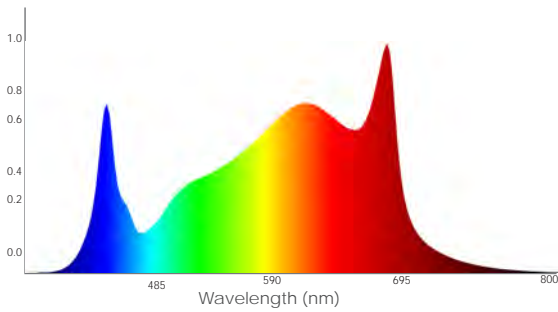
609.86	741.77	830.35	738.66	615.86
680.85	881.31	955.93	904.55	684.82
793.46	995.72	1154.36	1015.31	785.88
726.12	950.43	1036.62	963.41	741.26
620.23	737.77	810.28	757.83	650.96

GL-760W 2.6umol/j 24"/610mm Height

## Spectrum

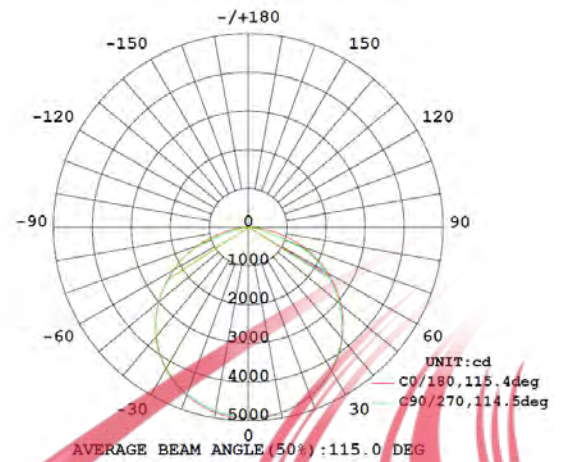
F1

Relative Spectral Power Distribution

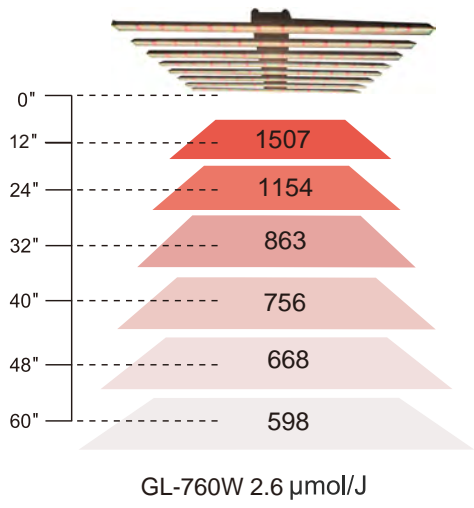


**Spectrum:** Suitable for both flowering and vegetative stages, the spectrum provides ideal red to blue ratio for vigorous growth and to maximize flower development.

## LUMINOUS INTENSITY DISTRIBUTION DIAGRAM

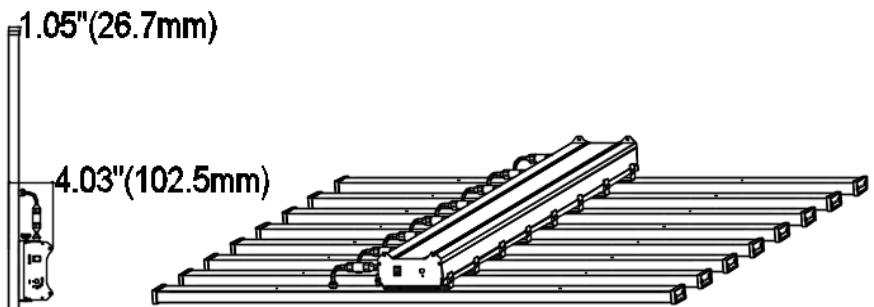
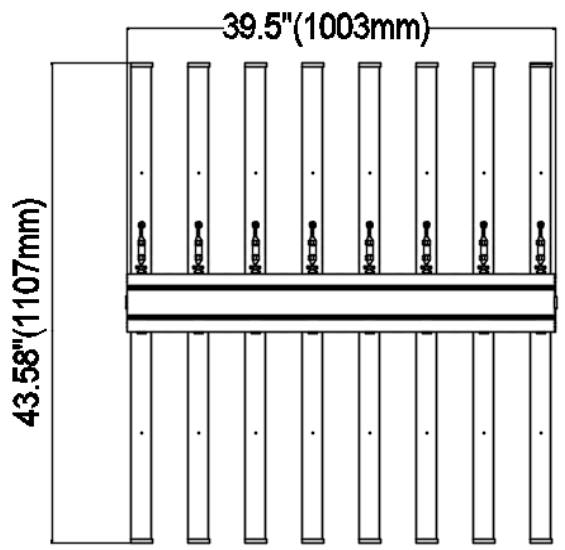


**PAR VALUE ( $\mu\text{mol}/\text{m}^2/\text{s}$ )**



**Structure Features:**

- Shell Materials: Aluminum & PC
- Finish: Silvery
- Net Weight: 13.4KG (29.5LBS)
- **Product Size: 1107mmX1003mmX102.5mm**  
**43.58"X39.50"X4.03"**
- **Carton Size: 1160mmX445mmX135mm**  
**45.67"X17.52"X5.31"**



**ORDERING EXAMPLE: WSD-GL760W27-F1-S**

WSD	GL	760W	27	F1	S
Company	Product	Power	Voltage	Spectrum	FINISH
<b>WSD LED INC</b>	GL LED Grow Light	<b>760W</b> (760W)	AC120-277V	<b>F1</b>	<b>s</b> (Silvery)

# INSTALLATION GUIDE

## Notice

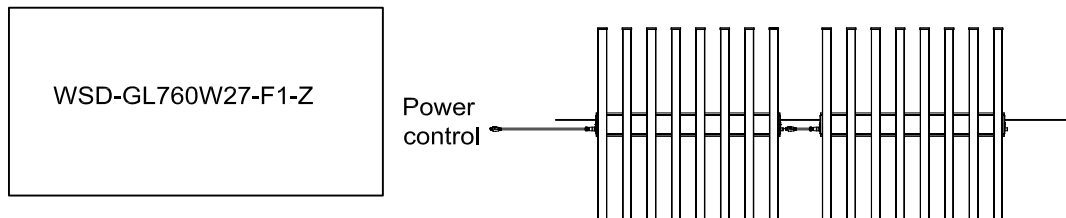
### PLEASE READ ALL INSTRUCTIONS BEFORE ATTEMPTING INSTALLATION

- To prevent personal injury or product damage only licensed electricians should install.
- To avoid electric shock or component damage disconnect power before attempting installation or servicing.
- This product must be installed in accordance with the national electric code (NEC) and all applicable federal, state and local electric codes and safety standards.
- Disconnect product and allow cooling prior to servicing.
- Any alteration or modification of this product is expressly forbidden as it may cause serious personal injury, death, property damage and/or product malfunction.
- To prevent product malfunction and/or electrical shock this product must be properly grounded.
- This luminaire is designed to operate in ambient temperatures ranging from -30°C to 45°C and to be horizontally mounted with the LEDs facing down.

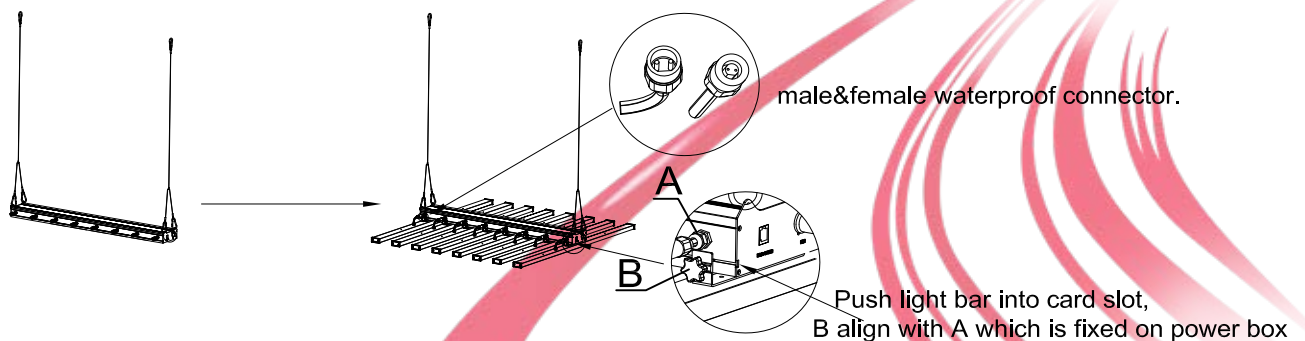
## Unpacking

Thoroughly check all fixtures and immediately report any damage to the carrier.

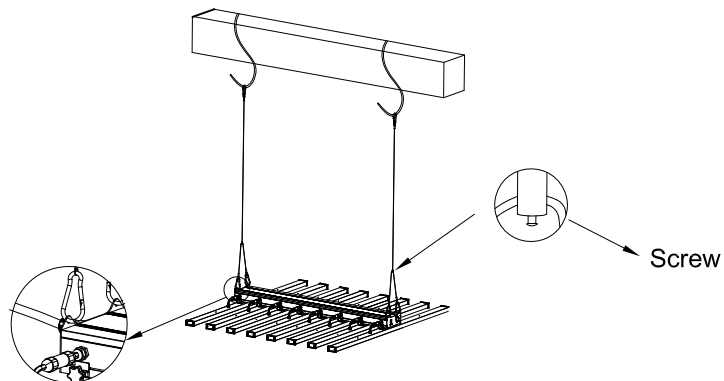
1. A mechanical ventilation or cooling system is required to maintain the temperature within the growing space below 45°C when the horticultural luminaire is in operation
2. MAKE sure that the direct distance between the two grow lights, wall or ceiling shall be 15cm minimum;
  - 1) Are not concealed or extended through a wall, floor, ceiling, or other parts of the building structure;
  - 2) Are not located above a suspended ceiling or dropped ceiling;
  - 3) Are not permanently affixed to the building structure;
  - 4) Are routed so that they are not subject to strain and are protected from physical damage;
  - 5) Are visible over their entire length;
  - 6) Are used within their rated ampacity as determined for the maximum temperature of the installed environment specified in the instructions.
3. SUITABLE FOR DAMP LOCATIONS  
This product must be installed in accordance with the applicable installation code by a person familiar with the construction and operation of the product and the hazards involve
4. CAUTION  
UV emitted from this product, Eye or skin irritation may result from exposure. Use appropriate shielding.
5. The total current of follow model should be=13A



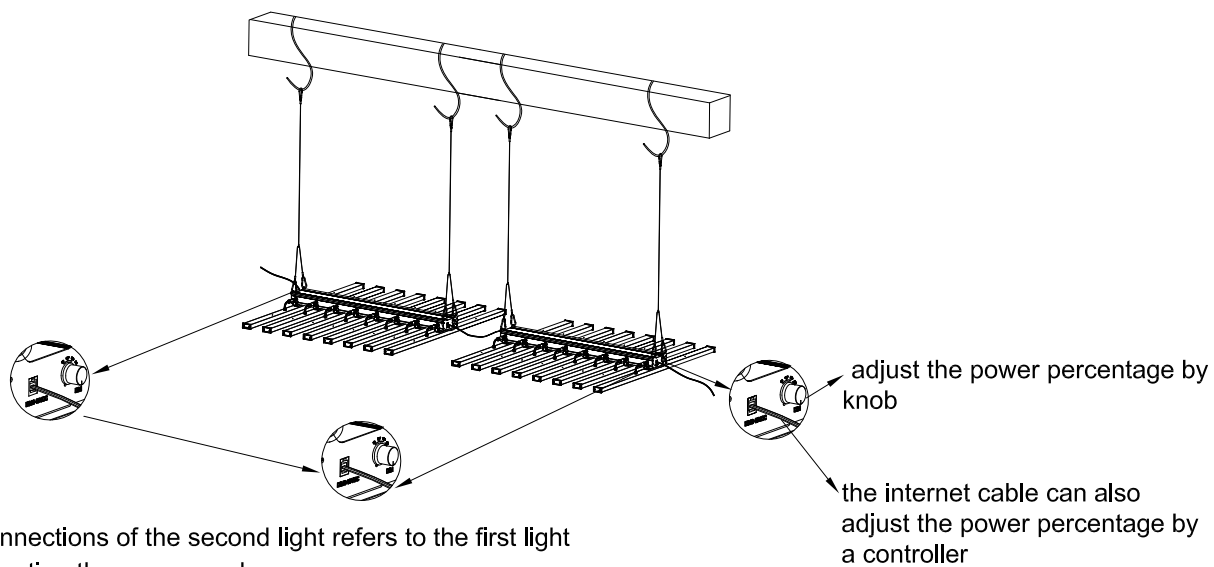
Insert the lamp bar into the groove of power box, align the lamp bar with waterproof connector which is fixed on power box. Then tighten the handle screw. connect the male&female connector.



2.Assembled light,adjust the balance of the lamp and lock the hanger screw.



3.Connecting dimming cable



The connections of the second light refers to the first light  
4.Connecting the power cord

