



PROJECT NAME: _____ CATALOG NUMBER: _____
 NOTES: _____ FIXTURE SCHEDULE: _____

120W LED Gas Station Canopy Light



Features

- Lumileds LED: high lumen efficiency and long working life
- High efficiency LED driver
- High quality die cast aluminium design for efficient heat-transfer and better cooling of LED.
- Excellent Optics design greatly improves the light utilization and evenness.
- Motion sensor Control Available (Option)

Product Applications

WareLight LED Gas Station Canopy Light series can be used for indoor or outdoor lighting (wet location rated). Excellent for lighting canopies at gas stations, parking garages, building over hangs, and many more applications.



WAREHOUSE-LIGHTING.COM

Warehouse-Lighting.com
 2750 South 163rd St
 New Berlin, WI 53151

Warehouse-Lighting.com
 Phone: 888-454-4480
info@warehouse-lighting.com

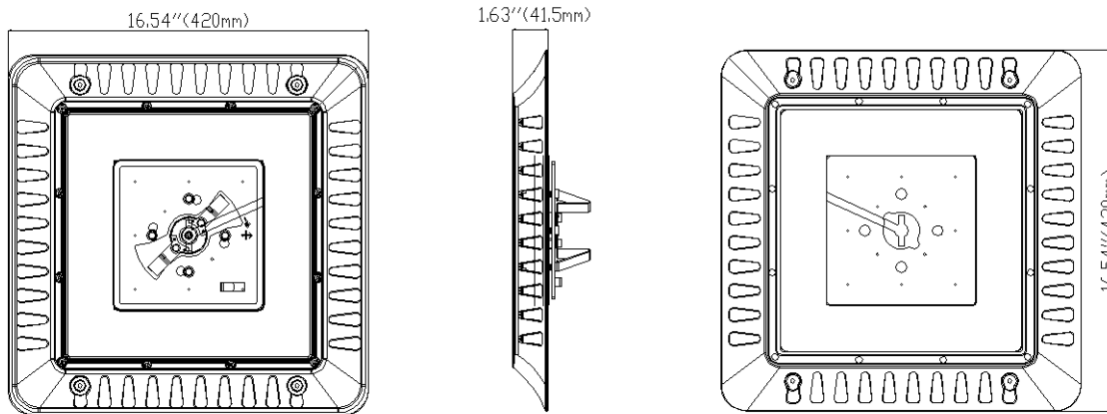


Specifications

Unit : inch(mm)

Structure Features

- Shell materials: Aluminum & Glass.
- Finish: Bronze/White/Black
- Net weight : 5.21Kg (11.48 lbs)
- Product Size:420mm*420mm*41.5mm
- Carton Size:534mm*534mm*130mm



Technical Parameters

WSD-CP12W27-XXK-Z[D,W,B,S]-E[blank,M]

| | | | |
|---------------------------|-------------|----------------------|---------------------|
| Power | 120W | Lighting Angle | 109° |
| Input Voltage | AC120-277V | LED Brightness Decay | <5%/6000 hrs |
| PF | >0.95 | Working Life | >50000 hrs |
| Driver Efficiency | >90% | Working Temperature | -30 - +45°C |
| Luminous Flux | 16086 Lm | Storage Temperature | -40 - +80°C |
| Color Temperature | 4000K/5000K | Protection Level | Wet Location/IP66 |
| CRI | Ra>70 | Cable | Input Connect, 0.7m |
| Optional dimming function | 1-10Vdc | Eff | >130lm/w |

Photometry

