



Item#: **WL84041**
LED STEALTH™ FIXTURE

OUTDOOR POLE/ARM-MOUNTED AREA AND ROADWAY LUMINAIRES - ARCHITECTURAL FLOOD AND SPOT LUMINAIRES

FEATURES

- Engineered for high lumen per watt light output.
- Slim and modern appearance.
- Integrated heat sink, provides excellent thermal dissipation.
- Surge protection device.
- Easy 1 person installation with our quick mount bracket and hinged door frame; installer can be hands free when establishing electrical connections.

APPLICATION

Parking lot, street and building perimeter lighting. Can be used as flood or area light.

ELECTRICAL

Wattage	105W
Voltage	120-277V
Power Factor	0.9
Total Harmonic Distortion (THD)	11.6

LIGHTING PERFORMANCE

Lumens	15839
Lumens Per Watt (LPW)	151
Color Temperature (CCT)	5000K
Color Rendering (CRI)	84
R9 (Red Value)	13
Beam Angle	Refer to LM79 Report
Light Distribution	Type III
BUG Rating (Backlight, Uplight, and Glare)	B3 - U2 - G2
Dimmable Lighting Control	<i>Dimmable</i> 0-10V, Range 10% - 100%

ENVIRONMENT

Operating Temperature	-40° ~ 131°F
Suitable Location	WET
Ingress Protection Rating	IP66

LIFESPAN

Average Life (Hours)	50,000
Warranty (Years)	5

COMPONENTS

LED Light Source	Luxeon 3030
Driver	SS-100VA-56B

CONSTRUCTION

Housing	Aluminum
Lens	PC
Base / Power Supply	Hard Wire / Surge Protector
Finish	White
Effective Projected Area (EPA)	0.23 ft ²
Wind Shear Rating	116.8 mph

QUALIFICATIONS

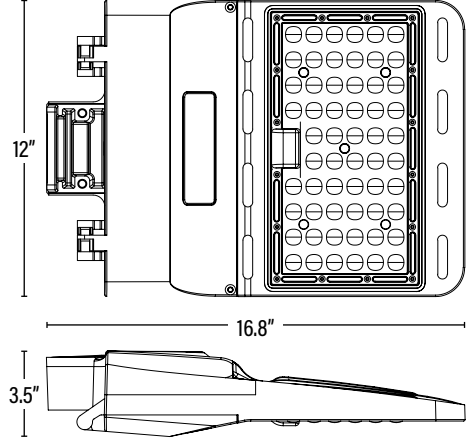
Model Number	STL3P-80W-5000K-C-MB-HC-P
--------------	---------------------------



Visit www.designlights.org/search to confirm qualification. • Published lumens on LED products are approximate and may vary slightly. • Specifications are subject to change without notice.

Item#: **WL84041**
LED STEALTH™ FIXTURE

DIMENSIONS (Inches)	
Length	16.8"
Width	12"
Height	3.5"
Net Weight (Lbs)	--



SUPPORTING DOCUMENTS (Grey = not available at this time.)	
Product Sheet	VIEW
Install Instructions	VIEW
IES Download from Web Item	VIEW
LM79	VIEW
LM80	VIEW

PACKAGING	UPC	DIMENSIONS (LxWxH)	GROSS WEIGHT (Lbs)
Master Carton	1	811768029369	--
Country of Origin	China		
HS Tariff	9405.10.6020		

ORDERING* Qualification Model # *STL3P-100W-5000K-C-MB-HC-P*

ITEM#	DESCRIPTION	CASE
84041	LED HL STEALTH™ 100W/50K/DIMM/120-277V/WHT - DLC®	1

ACCESSORIES		
83954	ADAPTER TO MOUNT ON ROUND OR FLAT POLE FOR STEALTH™- V2/WHITE	10
83953	SLIP FITTER FOR STEALTH™- V2/WHT	10
54892	360° OUTDOOR FIXTURE BI-LEVEL AND DAYLIGHT HARVEST PIR SENSOR 30FT DIA, UP TO 40FT HEIGHT 800W/1200W - 120-277V	100
83963	PHOTO CONTROL FOR LED STEALTH™ V2 FIXTURE- 120-277V	50

REPLACEMENT PARTS		
JL208	SHORTING CAP FOR LED STEALTH™ FIXTURE	1
SS-100VA-56B	LED REPLACEMENT DRIVER	1

ADDITIONAL INFORMATION:

- The mounting bracket is not included with the fixture, it is ordered as a separate item number. For DLC® qualification one of the Quick-Mount brackets must be purchased.
- Product requires top-mounted shorting cap or optional twist-lock photocell installed to operate.