

SAVE THESE INSTRUCTIONS



BEFORE YOU BEGIN

Read and follow all safety instructions

 **WARNING**

RISK OF FIRE, EXPLOSION AND ELECTRIC SHOCK

- This product should be installed, inspected, and maintained by a qualified electrician only, in accordance with the NEC (National Electric Code) and all local codes.
- Turn off electrical power before inspection, installation or removal.
- Use only UL (or other NRTL) approved wire for input/output connections.
Minimum size 18 AWG or 14 AWG for continuous runs.
- Make sure LEDs and drivers are cool to touch when performing maintenance.
Make sure the supply voltage is the same as the rated voltage of the luminaire.
- Do not install in a hazardous atmosphere, except where the ambient temperature does not exceed the rated operating temperature of the fixture.
- Keep tightly closed when in operation



Prepare Electrical Wiring



Electrical Requirements

- The LED driver must be supplied with the voltage specified on the product label and connected to an individual, properly grounded branch circuit protected by a 20 Ampere circuit breaker. Use min. 75°C supply.



Grounding Instructions

- The grounding and bonding of the overall system shall be done in accordance with NEC Article 600 and local codes

Tools Required:

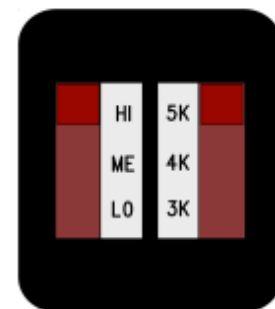
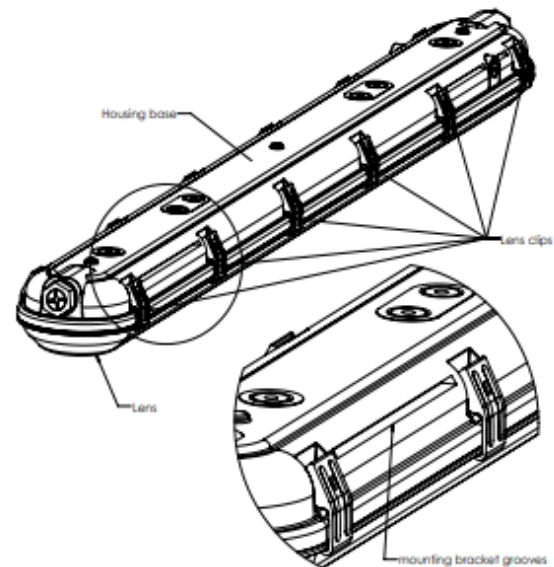
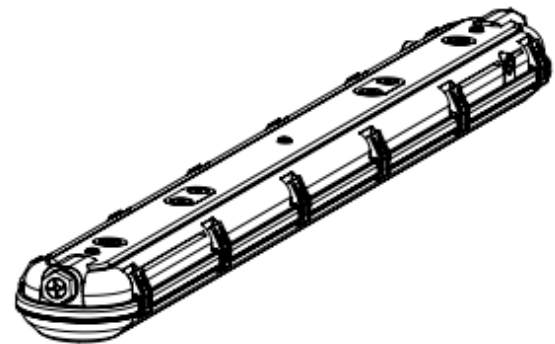
- | | |
|---------------------------------------|----------------|
| #2 Phillips Screw Driver | Wire Strippers |
| Adjustable Wrench | Wire Cutters |
| Drill (with various bits and drivers) | |

Before starting:

- Ensure that the supply power is shut off.
- Unpack the fixture and ensure that there are no damaged or missing parts.

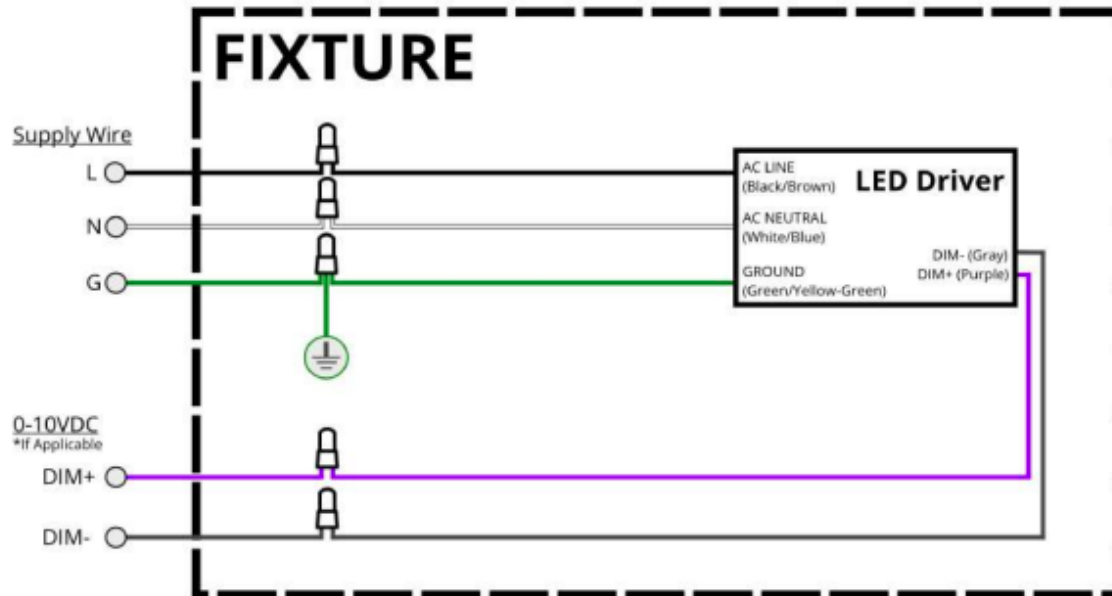
Installation Steps:

1. Secure the mounting bracket clips to the mounting surface using the appropriate hardware (provided by others).
2. Attach one side of the fixture to both brackets, and then secure the fixture by attaching the other side. There should be a "click" when the second side is secured.
3. If connecting to a conduit pipe, unscrew the desired plug and attach the pipe. **Apply silicone RTV (provided by others) to threads for water-proof seal.**
If conduit piping is not used for installation, silicone RTV **must still be applied to the conduit plugs for water-proof seal.
4. Unclip the lens to expose the LED gear tray. Set lens aside.
5. Remove the four phillips screws that secure the LED gear tray. LED gear tray will hang from plastic straps and the LED driver will be accessible for electrical connection.
6. Adjust the FAO controller to select the desired wattage and CCT.
7. Wire the fixture leads to the supply leads per **Figure 1** below.
For EM fixture, please refer to the wiring diagram on **Figure 2 below.
8. Supply power to the fixture. Connect the battery plug to the EM driver.
9. Turn off the wall switch to the fixture.
10. Reattach the LED gear tray. Be careful not to pinch any wires.
11. Replace the fixture lens. Make sure the plastic clips are properly seated when locking the lens in place. Snap clips to the lens to secure and seal the fixture.
12. For EM fixture, press the test button on the side of the fixture to make sure EM is functioning properly.



FAO controller

Electrical Wiring Diagram - Figure 1



Electrical Wiring Diagram With EM Backup - Figure 2

