



WAREHOUSE-LIGHTING.COM
INDUSTRIAL AND COMMERCIAL
LIGHTING MFR SINCE 2003

WL-STLED G3 Installation Guide

WARNING

- To reduce the risk of death, personal injury or property damage from fire, electric shock, falling parts, cuts/abrasions, and other hazards read all warnings and instructions included with and on the fixture box and all fixture labels.
- Before installing, servicing, or performing routine maintenance upon this equipment, follow these general precautions.
- Commercial installation, service and maintenance of luminaires should be performed by a qualified licensed electrician.
- For the installation: If you are unsure about the installation or maintenance of the luminaires, consult a qualified licensed electrician and check your local electrical code.
- To prevent wiring damage or abrasion, do not expose wiring to edges of sheet metal or other sharp objects.
- Do not make or alter any open holes in an enclosure of wiring or electrical components during kit installation.

WARNING

- Turn off electrical power at fuse or circuit breaker box before wiring fixture to the power supply.
- Turn off the power when you perform any maintenance.
- Verify that supply voltage is correct by comparing it with the luminaire label information.
- All wiring connections should be capped with UL approved wire connectors.

CAUTION

- Avoid direct eye exposure to the light source while it is on.
- Account for small parts and destroy packing material, as these may be hazardous to children.
- Risk of burn. Disconnect power and allow fixture to cool before changing bulb or handing fixture.

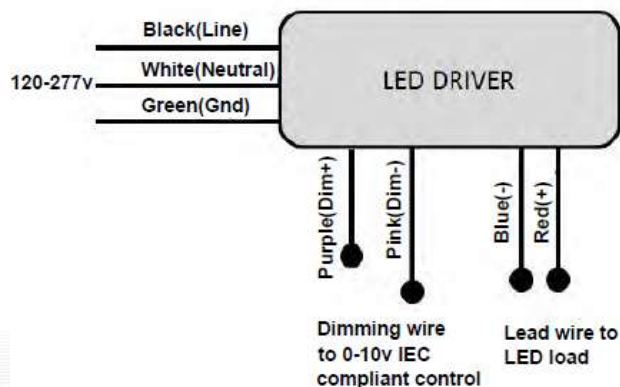
NOTICE: Green ground screw provided in proper location. Do not relocate.

NOTICE: Minimum 90° supply conductors.

NOTICE: Specifications and dimensions subject to change without notice.

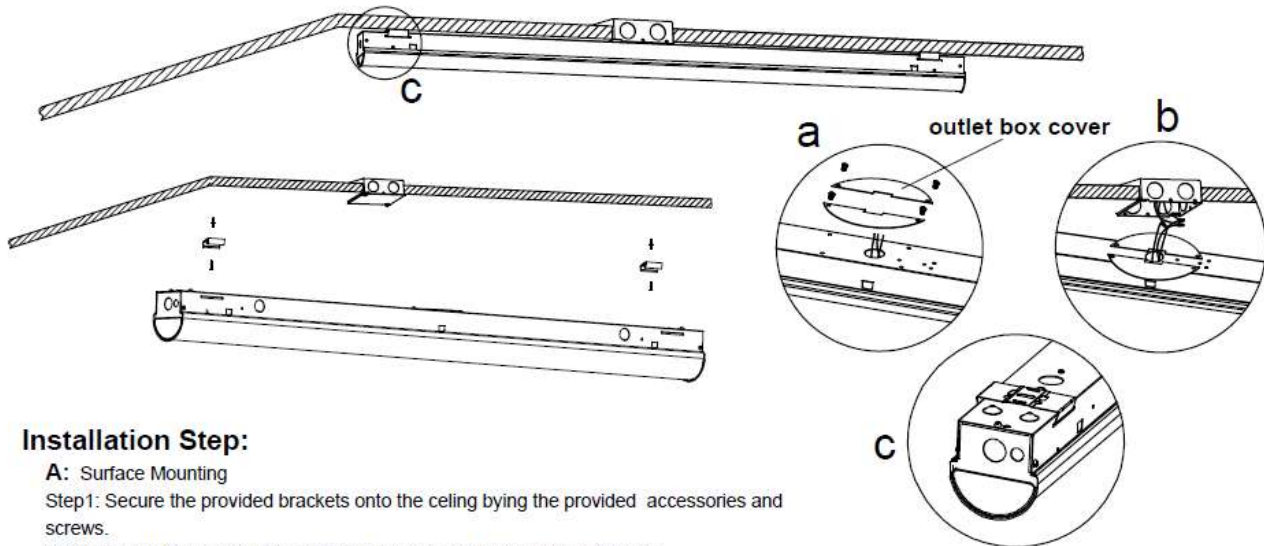
NOTICE: Suitable for Dry or Damp location

General Wiring Diagram





A: Surface Mounting

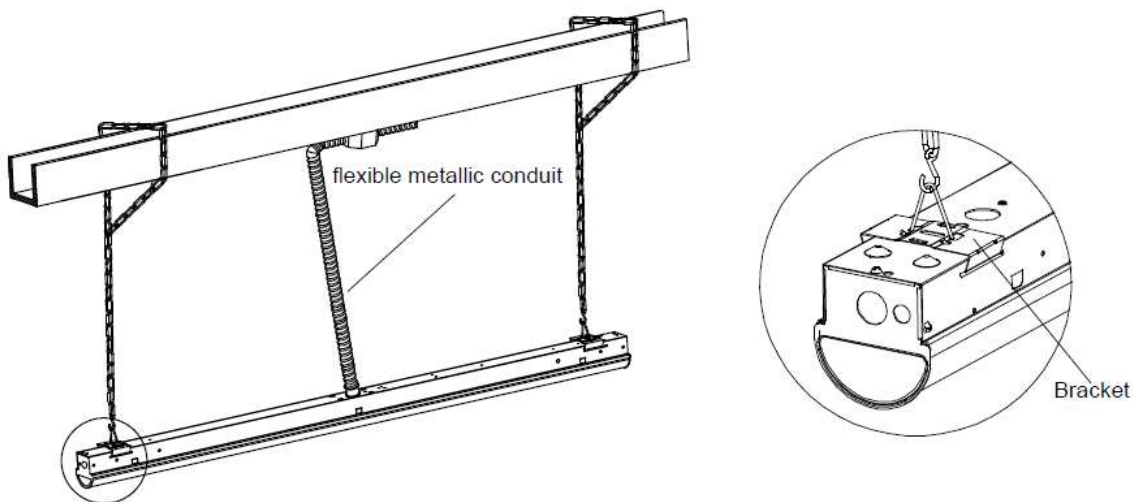


Installation Step:

A: Surface Mounting

- Step1: Secure the provided brackets onto the ceiling by the provided accessories and screws.
- Step2: Screw the covers at the outlet of the back of the housing. (Figure a)
- Step3: Wire to main power through the junction box. (figure b)
- Step4: Then clip the brackets to the slots of fixture. (figure c)

B: Chain Suspended Mounting



Installation Step:

B: Chain Mounting with V hook

- Step1: Clip the brackets to the slots of fixture.
- Step2: Attach customer supplied V-Hooks to brackets.
- Step3: Attach customer supplied chain to the V-hooks and mounting surface.

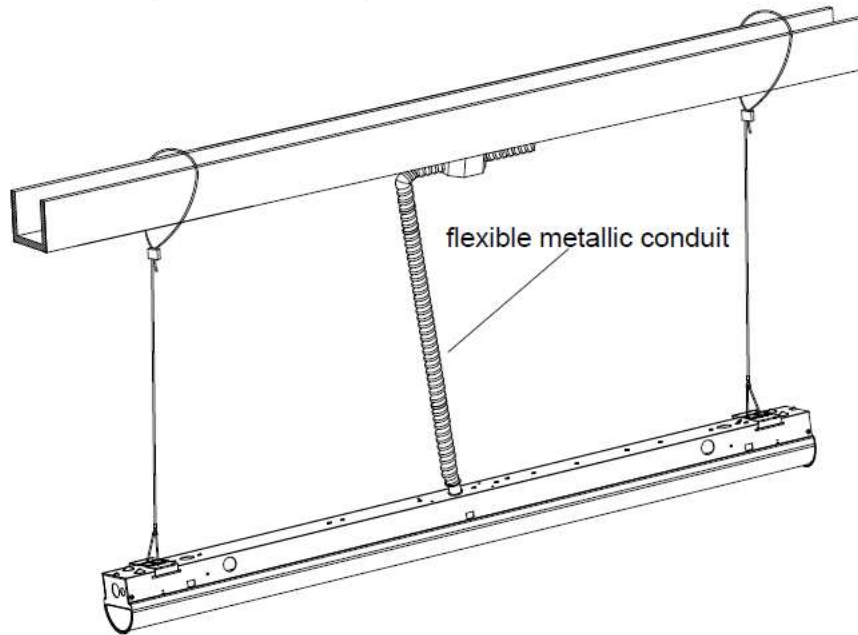


WAREHOUSE-LIGHTING.COM

INDUSTRIAL AND COMMERCIAL
LIGHTING MFR SINCE 2003

WL-STLED G3 Installation Guide

C: Cable Suspended Mounting



Installation Step:

C: Cable Suspended Mounting

- Step1:Clip the brackets to the slots of fixture.
- Step2:Attach customer supplied V-Hooks to cables.
- Step3:Attach V-Hooks to brackets.
- Step4:Wire to main power.