



WAREHOUSE-LIGHTING.COM
INDUSTRIAL AND COMMERCIAL
LIGHTING MFR SINCE 2003

WL-SMSC Installation Guide

Installation Instructions

WL-SMSC-20-CWT-DMV

WL-SMSC-55-CWT-DMV

IMPORTANT SAFETY PRECAUTIONS |

READ CAREFULLY AND UNDERSTAND COMPLETELY BEFORE INSTALLING OR OPERATING THE FIXTURE. Retain these instructions for future reference.

To reduce the risk of death, personal injury or property damage from fire, electric shock, falling parts, cuts/abrasions, and other hazards please read all warnings and instructions included with and on the fixture box and all fixture labels. Installation of the fixture should be performed by a qualified licensed electrician.

Maintenance of the fixture should be performed by person(s) familiar with the fixture's construction and operation and any hazards involved. Regular maintenance programs are recommended.

DO NOT install damaged product! The fixture has been properly packaged so that no parts should have damage during transit. Thoroughly inspect the fixture for any freight damage; freight damage should be reported to the delivery carrier.

INTENDED APPLICATION

Input voltage: 120-277VAC, 50/60Hz; consult factory for 347VAC/480VAC option, CHECK PRODUCT LABEL RATINGS BEFORE ATTEMPTING TO INSTALL.

Min. 90°C supply conductors

Operating temperature: -20°C to 40°C

Suitable for damp location

Mounting height: above 4 feet (1.2 meter)

WARNING: RISK OF ELECTRIC SHOCK

The fixture must be wired in accordance with the National Electrical Code and all applicable local codes. Proper grounding is required for safety.

All wiring connections should be capped with UL approved recognized wire connectors.

Make sure power supply is OFF before installing or maintaining fixture.

WARNING: RISK OF FIRE

DO NOT exceed maximum supply voltage or wattage marked on fixture label.

DO NOT exceed fixture maximum ambient temperature or RH.

DO NOT operate in close proximity to persons, combustible materials or substances affected by heat or drying.

DO NOT place operating fixtures face down on a flush surface to avoid the risk of overheating or fire.



WAREHOUSE-LIGHTING.COM
INDUSTRIAL AND COMMERCIAL
LIGHTING MFR SINCE 2003

WL-SMSC Installation Guide

CAUTION: RISK OF INJURY

- ALWAYS wear gloves and safety glasses when removing luminaire from carton, installing, servicing or performing maintenance.
- AVOID direct eye exposure to the light source while it is on.

CAUTION: RISK OF PRODUCT DAMAGE

- HANDLE WITH CARE! Improper installing, operating and servicing might damage the product and void the warranty.
- DO NOT mount or support this fixture in a manner that can cut the outer jacket or damage wire insulation.
- DO NOT touch or clean individual LEDs or other electrical components as this can cause Electrostatic Discharge (ESD), damage the fixture, shorten fixture's life, or alter performance. Personal grounding equipment must be worn during all installation or servicing of the unit.
- CHECK for compatibility before wiring any control system for dimming, auto-sensing, or remote control that are not factory-wired.
- DO NOT restrict fixture ventilation and allow some volume of airspace around fixture.
- DO NOT cover fixture with insulation, foam or other material that will prevent convection or conduction cooling.
- NEVER perform maintenance or cleaning while fixture is energized; allow fixture to cool before handling.

WIRING

Wire input end of the LED driver to supply wires using appropriate wire nut according to wiring section.

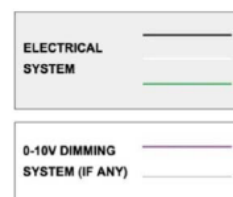
CAUTION: Wire connections MUST be insulated and waterproof.

1. Connect the BLACK/BROWN lead to LINE (+) supply lead.
2. Connect the WHITE/BLUE lead to NEUTRAL/Common (-) supply lead.
3. Connect the GREEN leads of front housing and back housing to GROUND supply lead.
4. If any, connect PURPLE to 0-10V SIGNAL supply lead and PINK to 0-10V NEUTRAL/REFERENCE supply lead.



- DISCONNECT POWER BEFORE INSULATING OR SERVICING.
- ALL ELECTRICAL WORK SHOULD BE COMPLETED BY QUALIFIED PERSONNEL AND MEET NATIONAL (NEC), REGIONAL AND LOCAL ELECTRICAL CODES.

WIRING DIAGRAM



BLACK/BROWN = HOT/LINE
WHITE/BLUE = NEUTRAL/COMMON
GREEN/YELLOW = GROUND

DIM + PURPLE
DIM - PINK

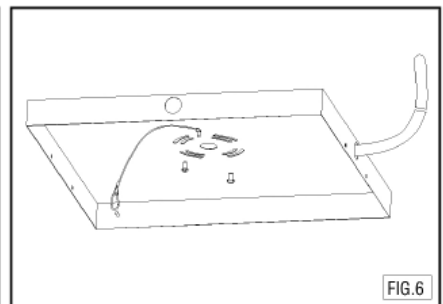
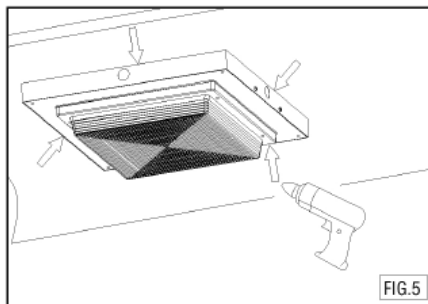
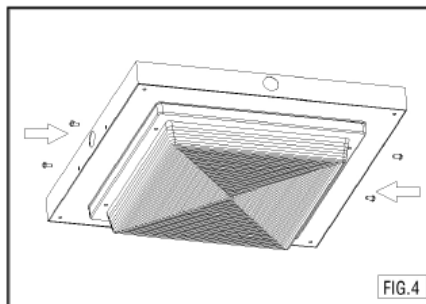
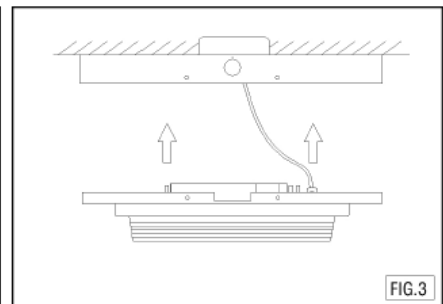
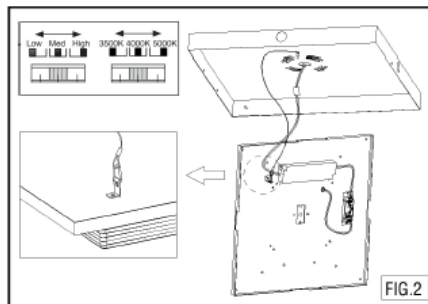
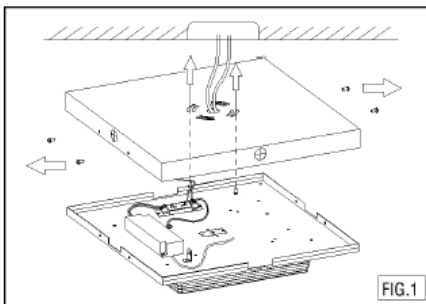


MOUNTING

This soffit fixture is available in CEILING MOUNT, and CONDUIT MOUNT installations.

- CEILING MOUNT

1. Remove mounting plate off the fixture, and mount it onto junction box with proper screws (not provided), and route cords from junction box through the mount plate hole, see FIG. 1.
2. Attach safety cable (supplied) with the front housing, see FIG. 2.
3. Make wiring connection according to wiring selection. Refer to “WIRING” for more details.
4. Attach the front housing back on the mounting plate, see FIG. 3.
5. Screw two bolts to tighten and close the fixture, see FIG. 4.
6. Use silicone sealant (not provided) all along the bottom of the fixture to ensure tight seal against surface, see FIG. 5.



CONDUIT MOUNT

1. Remove mounting plate off the fixture, and mount it onto concrete with proper screws (not provided) through the two slots, see FIG. 1.
2. Attach safety cable (supplied) with the front housing, see FIG. 2.
3. Remove one 1/2” knock-out from the side of the front housing, and feed the conduit into front housing through knockout, see FIG. 6.
4. Make wiring connection according to wiring selection. Refer to “WIRING” for more details.
5. Attach the front housing back on the mounting plate, see FIG. 3.
6. Screw two bolts to tighten and close the fixture, see FIG. 4.
7. Use silicone sealant (not provided) all along the bottom of the fixture to ensure tight seal against surface, see FIG. 5.