



INDUSTRIAL AND COMMERCIAL
LIGHTING MFR SINCE 2003

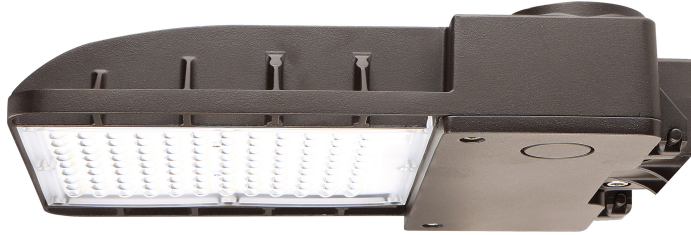
PROJECT NAME: _____

CATALOG NUMBER: _____

NOTES: _____

FIXTURE SCHEDULE: _____

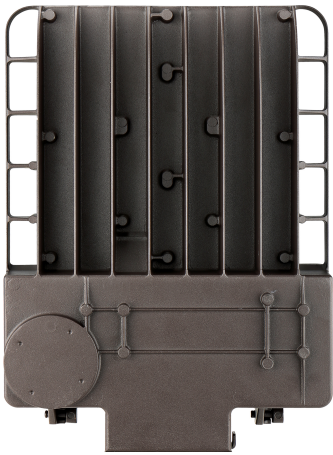
Small Area Light



The Wareligh Small Area Light features a rugged one-piece, die-cast aluminum housing that secures the thermally conductive LED panel, and electrical chamber. The housing is low-profile and completely sealed against moisture and the environment. It is suitable for mounting heights for up to 15 feet in applications such as parking lots, walkways, campuses, and other public areas.

Features:

- Voltage: 120-277V
- Lumens:
 - 40W = 5500
 - 70W = 9600
 - 100W = 13800
- CRI: 70
- CCT: 5000K
- Life: 100,000 hours
- Distribution: Type
- Mounting Options:
 - 6 inch Square Pole Mount
 - Slipfitter
- Listings: cULus, Wet Location Listed
- 5 year warranty



Series	Wattage	CCT	Distribution Type	Finish	Voltage	Accessories (Optional)
WL-SAL	40W	50K = 5000K	T3 = Type III Distribution	B = Bronze	DMV = Dimmable, 120-277V	Blank = No Mount
	70W					SQAL04DA = Pole Mount
	100W					SPAL04DA = Slip Fitter

Lighting Supplier Since 2003



WAREHOUSE-LIGHTING.COM

Warehouse-Lighting.com
2750 South 163rd St
New Berlin, WI 53151

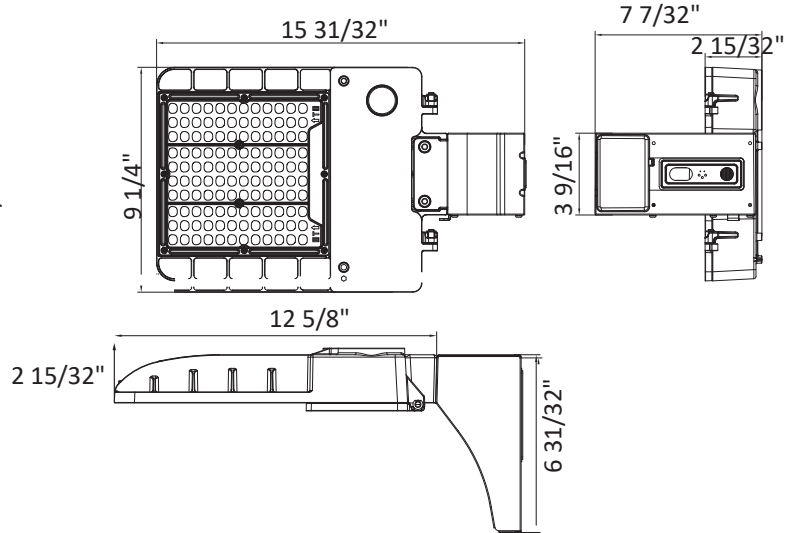
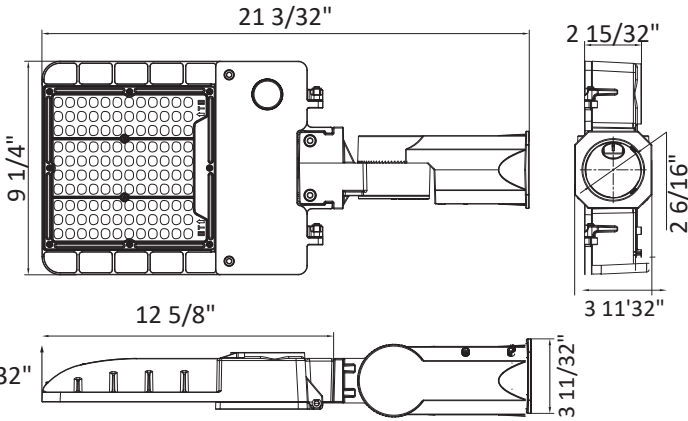
Warehouse-Lighting.com
Phone: 888-454-4480
info@warehouse-lighting.com



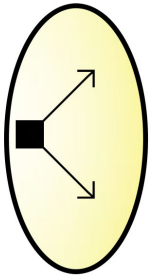
INDUSTRIAL AND COMMERCIAL
LIGHTING MFR SINCE 2003

Slipfitter Mount

Pole Mount



Type 3 Distribution



Mounting Options

Slipfitter Mount



Pole Mount



SKU	Dimensions	Weight	Lumens
WL-SAL-40W-50K-T3-B-DMV	12 5/8" L x 9 1/4" W x 2 15/32" H	7.57 lb	5500
WL-SAL-70W-50K-T3-B-DMV		7.88 lb	9600
WL-SAL-100W-50K-T3-B-DMV		8.23 lb	13800

Lighting Supplier Since 2003



WAREHOUSE-LIGHTING.COM

Warehouse-Lighting.com
2750 South 163rd St
New Berlin, WI 53151

Warehouse-Lighting.com
Phone: 888-454-4480
info@warehouse-lighting.com