

WL-NLS Series



With its slim design, this linear strip light uses a high-quality housing to produce a sleek, subtle aesthetic that meets interior ceiling application needs. The fixture is surface mountable or can be suspended with optional hanging kits. The high-quality steel housing is painted with high reflectance paint, improving lumen output. It is ideal for offices, classrooms, hallways, workshops, meeting rooms and much more.

The fixture ships in two 4-foot sections and uses a rigid linking bracket to connect the sections into one 8-foot fixture.



Specifications WL-NLS8

Wattage Selectable	33W/50W/69W	CRI	80
CCT Selectable	3000K/4000K/5000K	Mount Options	Surface or Suspended
Lumens	8700*	Warranty	5 Year
Voltage	120-277V	Certifications	cULus, DLC Premium 5.1
Efficacy	126 lm/w	Starting Temp	-4°F to 122°F

*Efficacy based on 5000K





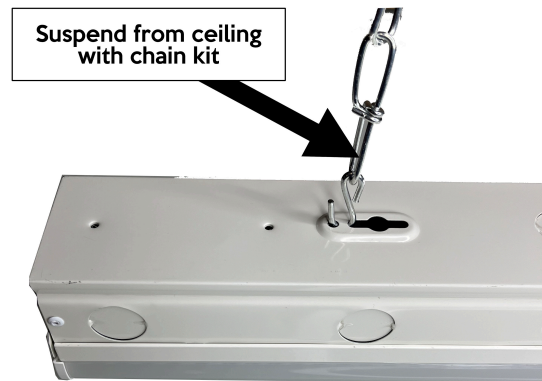
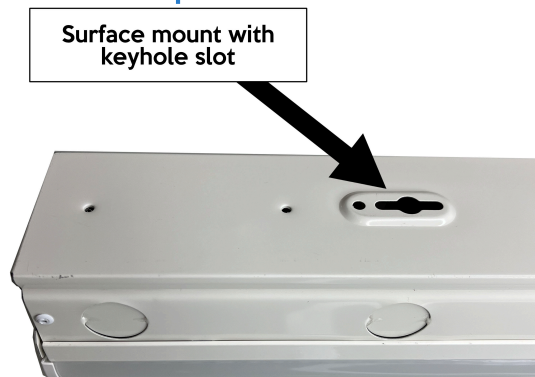
INDUSTRIAL AND COMMERCIAL
LIGHTING MFR SINCE 2003

PROJECT NAME _____
ITEM # _____
FIXTURE SCHEDULE _____
NOTES _____

Order Information

Strip Light Series WL-NLS				Example: WL-NLS4-C45WT-DMV-G2
Series	Length	CXXWT	Voltage/Dimming	Generation
WL-NLS	4'	45	DMV 120-277v 0-10v dimming	G2
	8'	70		

Mount Options



DLC Information

Item	DLC Version	DLC ID	Wattage Selectable	Lumens*
WL-NLS4-C45WT-DMV-G2	5.1 Premium	S-H04GIE	22W	2700
			33W	4400
			45W	5500
WL-NLS8-C70WT-DMV-G2	5.1 Premium	S-5EDGYZ	33W	4150
			50W	6300
			69W	8700

*Lumens based on 5000K



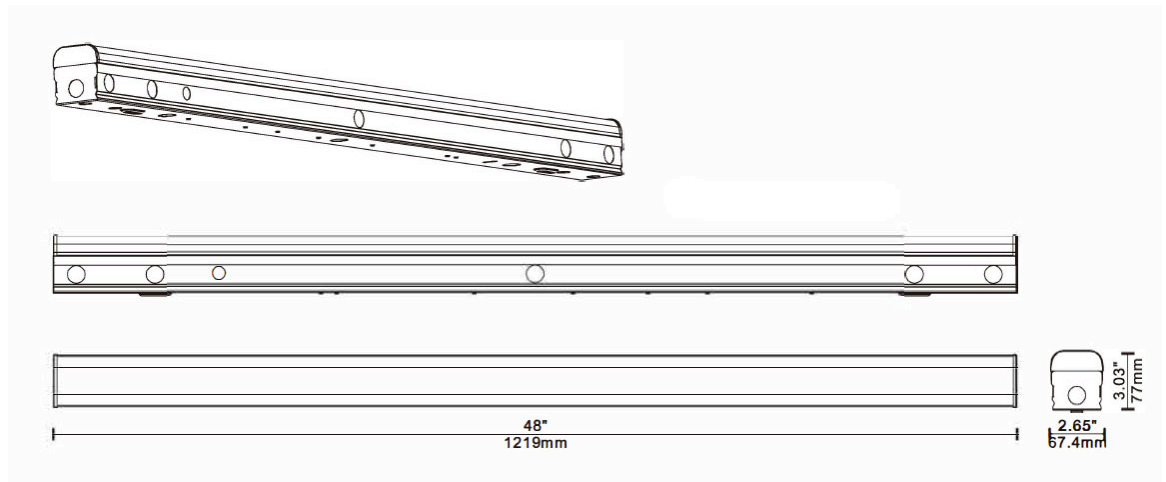
INDUSTRIAL AND COMMERCIAL
LIGHTING MFR SINCE 2003

PROJECT NAME _____
ITEM # _____
FIXTURE SCHEDULE _____
NOTES _____

Dimensions

Item	Length	Width	Height	Weight
WL-NLS4-C45WT-DMV-G2	47.8"	2.65"	3.03"	2.33 lbs.
WL-NLS8-C70WT-DMV-G2	95.6"	2.65"	3.03"	4.20 lbs.

WL-NLS4



WL-NLS8

