

SAVE THESE INSTRUCTIONS



BEFORE YOU BEGIN

Read and follow all safety instructions

 **WARNING**

RISK OF FIRE, EXPLOSION AND ELECTRIC SHOCK

- This product should be installed, inspected, and maintained by a qualified electrician only, in accordance with the NEC (National Electric Code) and all local codes.
- Turn off electrical power before inspection, installation or removal.
- Use only UL (or other NRTL) approved wire for input/output connections. Minimum size 18 AWG or 14 AWG for continuous runs.
- Make sure LEDs and drivers are cool to touch when performing maintenance. Make sure the supply voltage is the same as the rated voltage of the luminaire.
- Do not install in a hazardous atmosphere, except where the ambient temperature does not exceed the rated operating temperature of the fixture.
- Keep tightly closed when in operation



Prepare Electrical Wiring



Electrical Requirements

- The LED driver must be supplied with the voltage specified on the product label and connected to an individual, properly grounded branch circuit protected by a 20 Ampere circuit breaker. Use min. 75°C supply.



Grounding Instructions

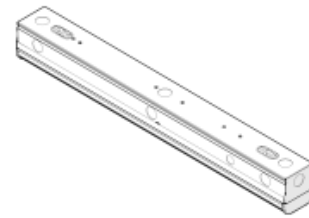
- The grounding and bonding of the overall system shall be done in accordance with NEC Article 600 and local codes

Before starting:

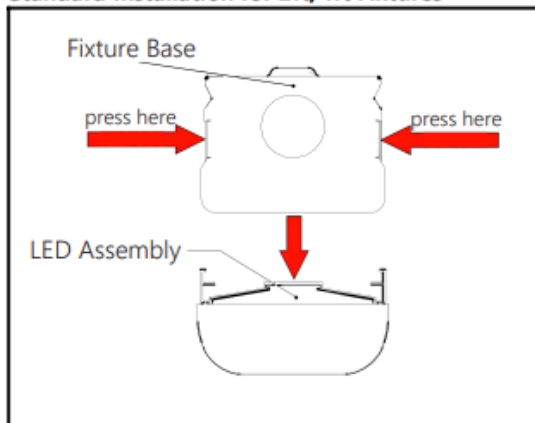
- Ensure that the supply power is shut off.
- Unpack the fixture and ensure that there are no damaged or missing parts

Tools Required:

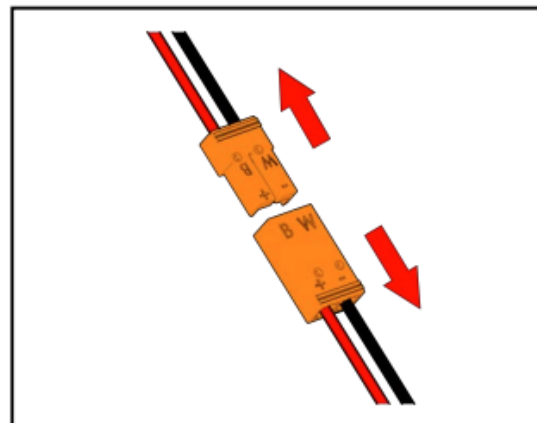
- Screw Driver or Drill
- Wire Strippers
- Wire Cutters



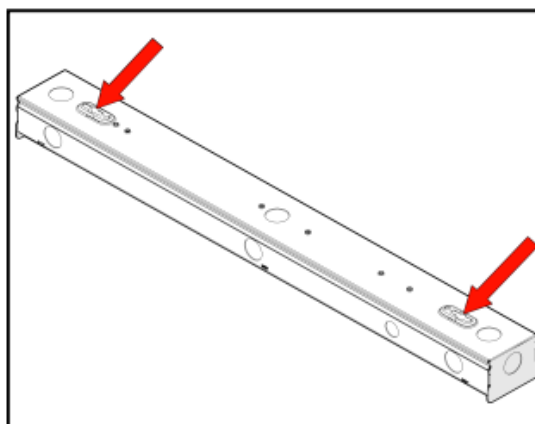
Standard Installation for 2ft/4ft Fixtures



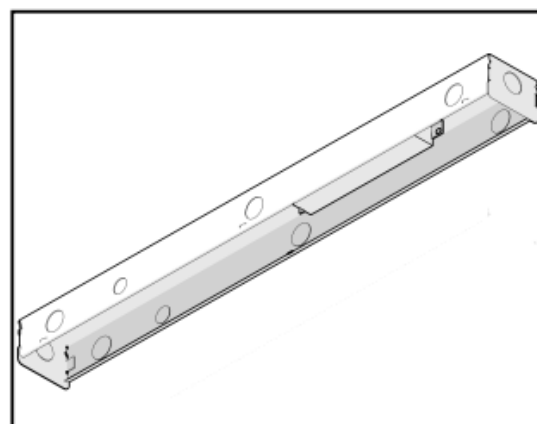
Step 1: Detach the LED assembly by starting at one end of the fixture and pressing each side the base. Pull the LED assembly away from the base. Continue this along the entire fixture until the base and LED assembly are separated.



Step 2: After separating the base and LED assembly, disconnect the LED wires and safely set the LED assembly aside until the base is mounted and wired.

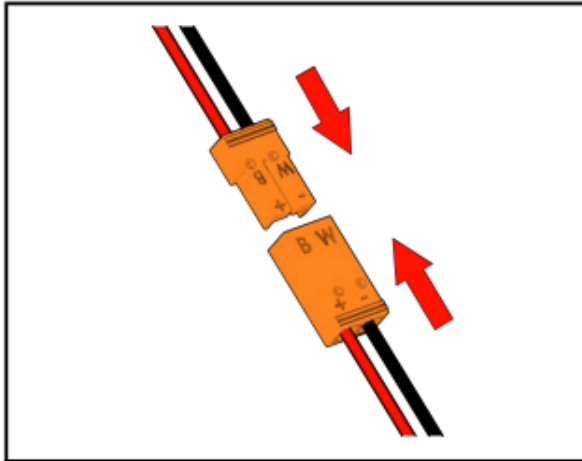


Step 3: Remove the appropriate knockout and pull the supply wires into the housing. Install the fixture base to the mounting surface using the two keyhole slots shown. (Hardware provided by others).

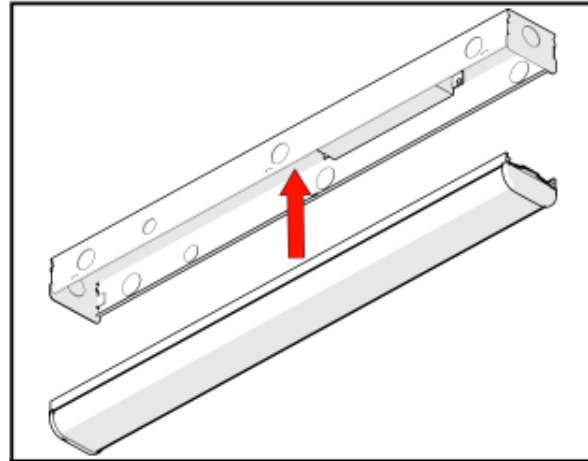


Step 4: With the fixture base installed, wire the fixture's LED driver to the branch power supply according to the wiring diagram on Page 4.

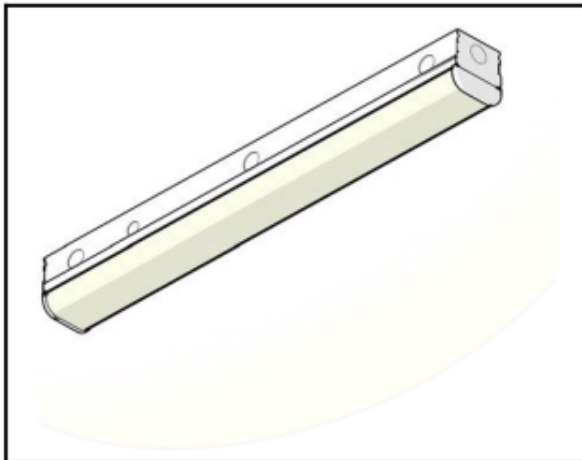
Follow the appropriate diagram if installing the EM version.



Step 5: Reconnect the LED wires to the LED assembly.
If installing the EM version, restore power to the unswitched line and connect the EM battery plug to the EM driver.

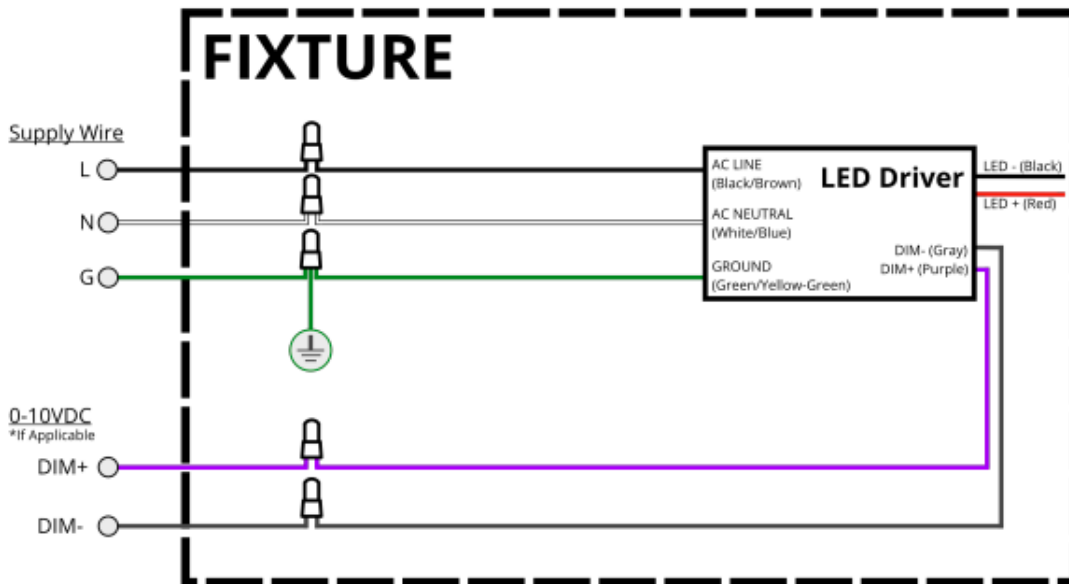


Step 6: Reattach the LED assembly to the fixture base.
The LED assembly should "click" into place.

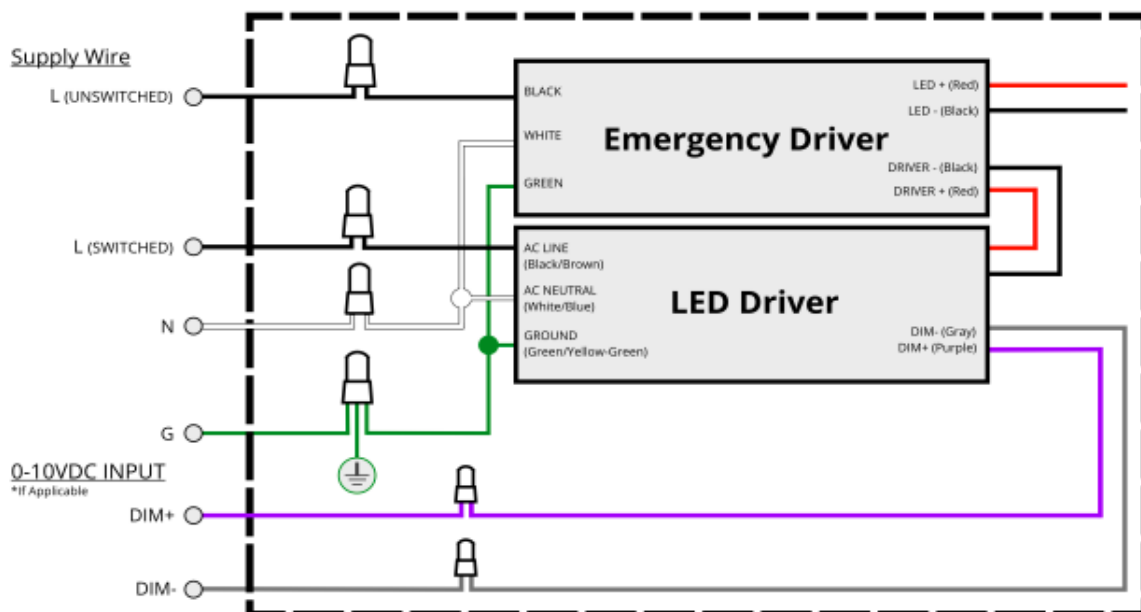


Step 7: Turn on the supply power and ensure the fixture works properly. If the fixture does not work, shut off supply power and recheck all electrical connections.

Electrical Wiring Diagram



Electrical Wiring Diagram with EM Backup



****WARNING: Do not connect the EM battery to the EM driver until AC power is supplied to the EM driver**