



INDUSTRIAL AND COMMERCIAL  
LIGHTING MFR SINCE 2003

PROJECT NAME: \_\_\_\_\_

CATALOG NUMBER: \_\_\_\_\_

NOTES: \_\_\_\_\_

FIXTURE SCHEDULE: \_\_\_\_\_

## LED Dusk to Dawn



The WareLight Dusk to Dawn series fixtures offer traditional dusk to dawn features in a versatile look that complements many applications. This is a high-performance, energy-efficient solution for roadways, sidewalks, and buildings. The dusk to dawn series uses the latest LED technology and precision-engineered optics to provide exceptional illumination while also saving energy.

### Features:

- Voltage 120-277V
- Lumens:
  - 65W = 8800
  - 90W = 12200
- CCT: 5000K
- CRI: 70
- Lifespan: 50,000+ hours
- Finishes: Silver Gray or Bronze
- Mounting Arm included
- cULus and Wet Location listed
- 5 Year Warranty



| Series | Wattage | CCT         | Finish          | Voltage       | Accessory                     |
|--------|---------|-------------|-----------------|---------------|-------------------------------|
| WL-DTD | 65W     | 50K = 5000K | S = Silver Gray | MV = 120-277V | Arm = Mounting Arm (Included) |
|        | 90W     |             | B = Dark Bronze |               |                               |

Lighting Supplier Since 2003



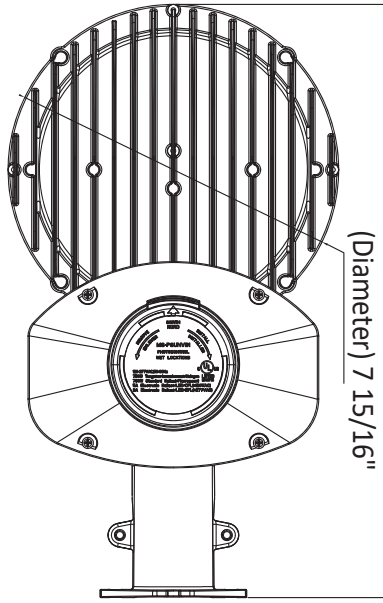
WAREHOUSE-LIGHTING.COM

Warehouse-Lighting.com  
2750 South 163<sup>rd</sup> St  
New Berlin, WI 53151

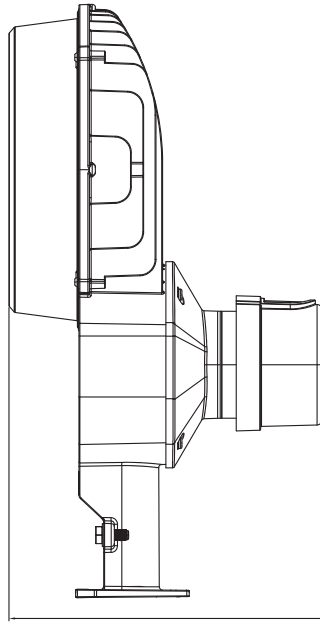
[Warehouse-Lighting.com](http://Warehouse-Lighting.com)  
Phone: 888-454-4480  
[info@warehouse-lighting.com](mailto:info@warehouse-lighting.com)



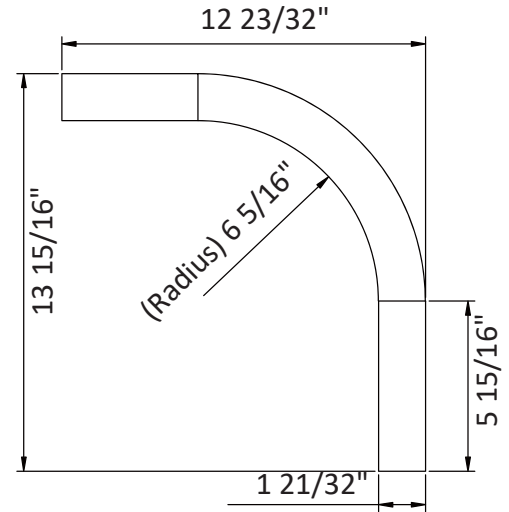
INDUSTRIAL AND COMMERCIAL  
LIGHTING MFR SINCE 2003



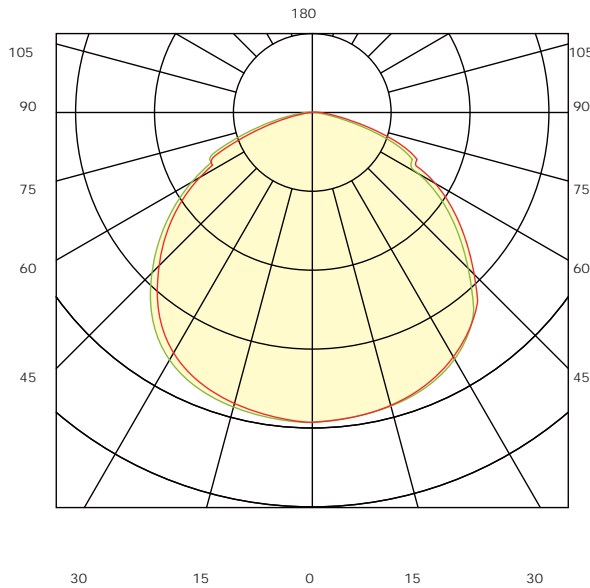
(Diameter) 7 15/16"  
14 7/32"



7 5/8"



## PHOTOMETRICS



| SKU                     | Diameter | Dimensions            | Weight   | Lumens |
|-------------------------|----------|-----------------------|----------|--------|
| WL-DTD-65W-50K-S-MV-ARM | 7 15/16" | 14 7/32" L x 7 5/8" H | 4.80 lb. | 8800   |
| WL-DTD-65W-50K-B-MV-ARM |          |                       |          |        |
| WL-DTD-90W-50K-S-MV-ARM |          |                       | 5.02 lb. | 12200  |
| WL-DTD-90W-50K-B-MV-ARM |          |                       |          |        |

Lighting Supplier Since 2003



WAREHOUSE-LIGHTING.COM

Warehouse-Lighting.com  
2750 South 163<sup>rd</sup> St  
New Berlin, WI 53151

[Warehouse-Lighting.com](http://Warehouse-Lighting.com)  
Phone: 888-454-4480  
[info@warehouse-lighting.com](mailto:info@warehouse-lighting.com)