



WAREHOUSE-LIGHTING.COM
INDUSTRIAL AND COMMERCIAL
LIGHTING MFR SINCE 2003

Installation Guide

Installation Instructions

Read instruction manual carefully to ensure proper installation.
Please keep this instruction manual for future use!

WARNING

To avoid the risk of fire or electric shock this product should be installed, inspected, and maintained by a qualified electrician only.

Installation should be completed by an individual familiar with the construction and operation of the luminaire. The installation of the luminaire must be in accordance with national and local building and electrical codes.

Safety Warning:

To avoid electric shock:

Be certain electrical power is OFF before and during installation and maintenance.

The luminaire must be supplied by a wiring system that includes an equipment grounding conductor.

To avoid burning hands:

Make sure lens and housing are cool when performing maintenance.

To avoid product degradation:

- Make sure the supply voltage is the same as the luminaire Voltage.
- Use proper supply wiring as specified on the luminaire nameplate.
- Avoid use in environments containing sulfur, chlorine, or other halides, methyl acetate or ethyl acetate, cyanoacrylates, glycol, ethers, formaldehyde, or butadiene.

Notes:

- Instructions do not cover all details and all possible product configurations.
- Do not restrict luminaire ventilation.
- Ensure LED luminaire is not covered with material that will prevent convection or conduction cooling.
- Ensure LED luminaire has the correct polarity before installation.
- Avoid exposing wiring to metal edges and sharp objects.

Maintenance:

Perform visual, electrical, and mechanical inspections on a regular basis. The environment and frequency of use should determine this. It is recommended that checks be made at least once a year. Electrical checks to make sure that all connections are clean and tight. Mechanically check that all parts are properly assembled.

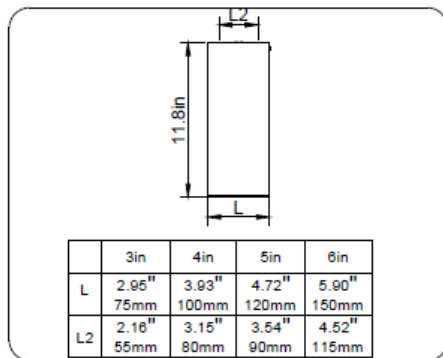


WAREHOUSE-LIGHTING.COM

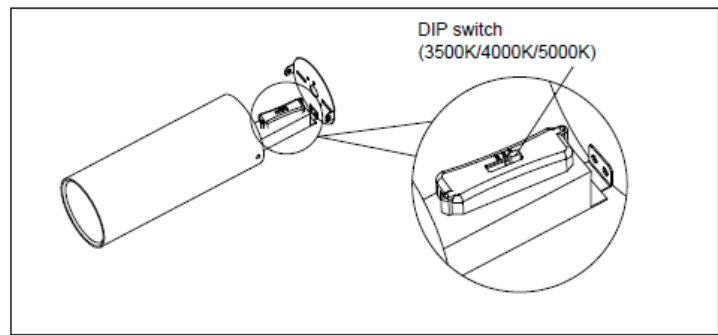
INDUSTRIAL AND COMMERCIAL
LIGHTING MFR SINCE 2003

Installation Guide

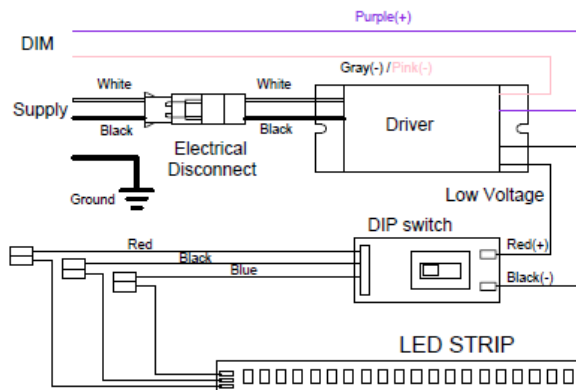
■ Installation Dimension(suspended)



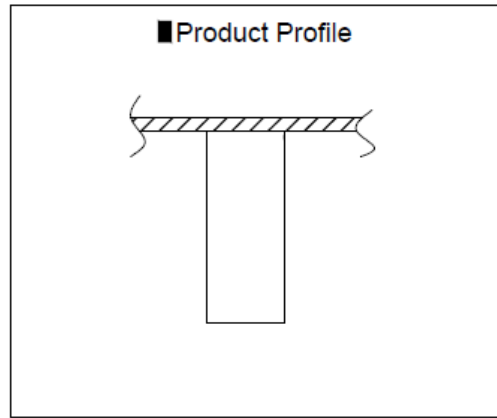
■ Dip switch for CCT



■ Wiring Diagram



■ Product Profile





WAREHOUSE-LIGHTING.COM

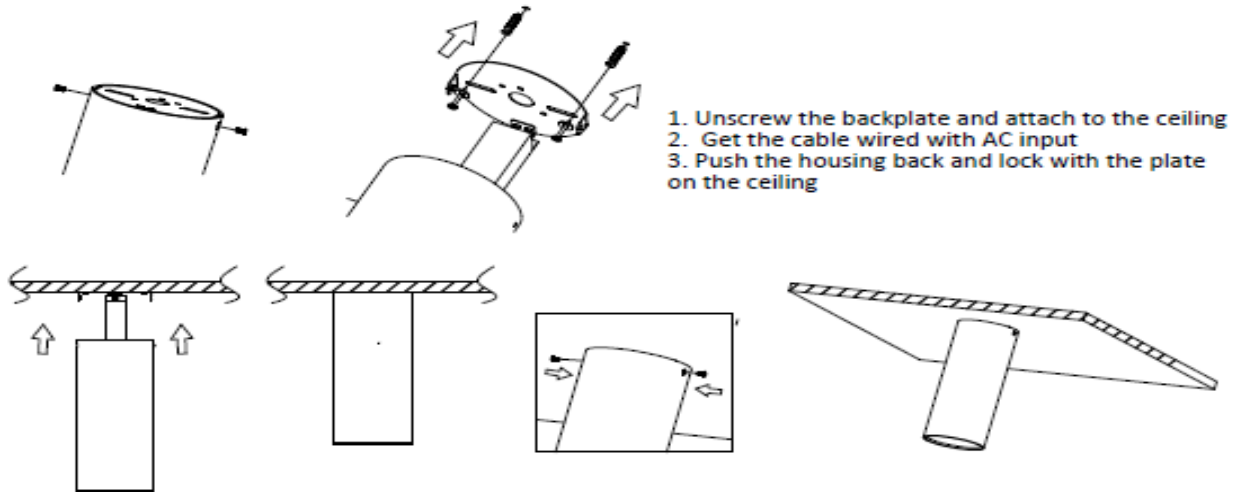
INDUSTRIAL AND COMMERCIAL
LIGHTING MFR SINCE 2003

Installation Guide

Installation Instructions

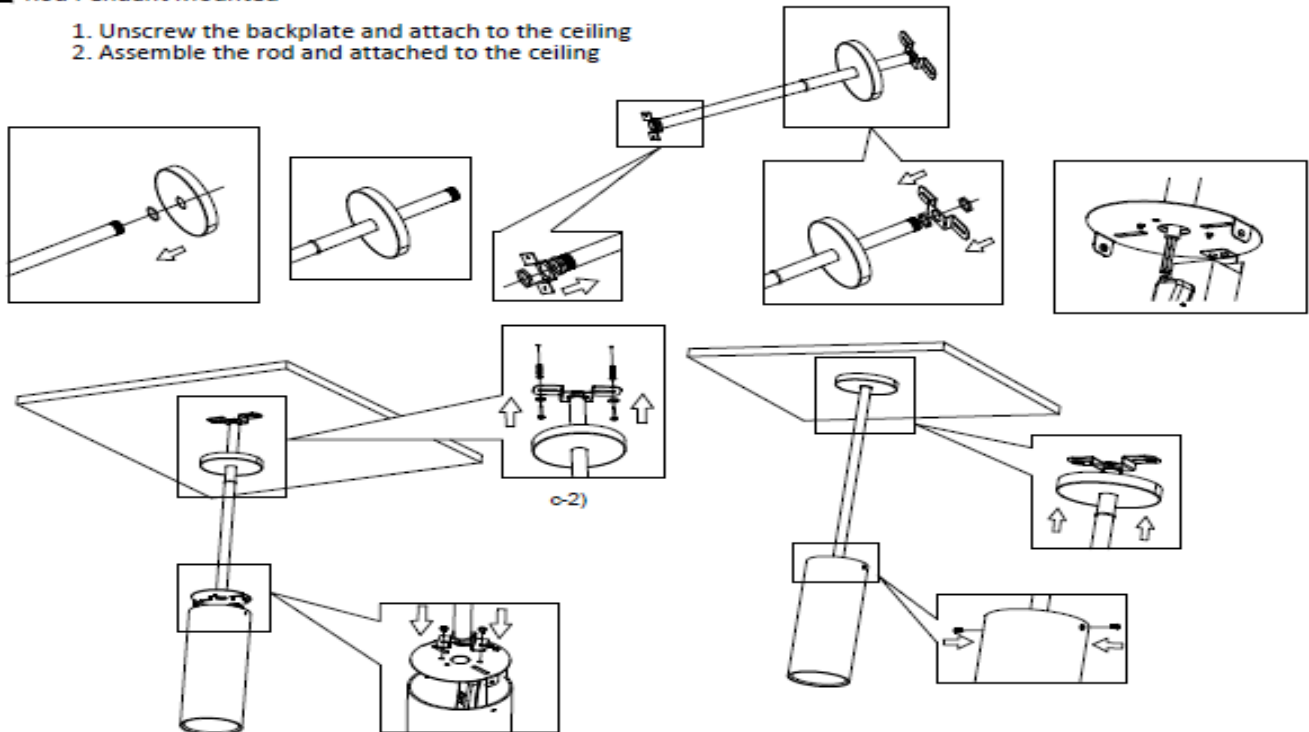
LED Linear Architectural

■ Surface Mounted



■ Rod Pendant Mounted

1. Unscrew the backplate and attach to the ceiling
2. Assemble the rod and attached to the ceiling



3. Attach the backplate with the rod then screw the fixture with the plate.



WAREHOUSE-LIGHTING.COM

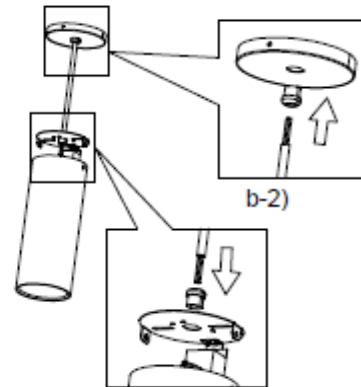
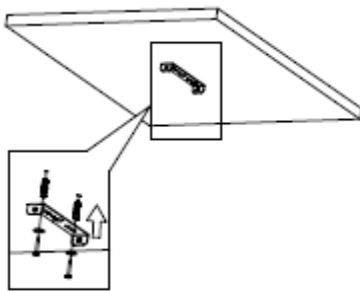
INDUSTRIAL AND COMMERCIAL
LIGHTING MFR SINCE 2003

Installation Guide

Installation Instructions

LED Linear Architectural

■ Cord Pendant



1. Attached the crossbar onto the ceiling
2. Using 7n-2 Cable busing to tighten the cord with canopy and the back plate of fixture, get the cord wired with AC input
3. Lock the canopy kits with the crossbar as below
4. Get the cord wired with L/N/G /Dimming wires then lock the fixture with housing

