



INDUSTRIAL AND COMMERCIAL  
LIGHTING MFR SINCE 2003

PROJECT NAME \_\_\_\_\_  
ITEM # \_\_\_\_\_  
FIXTURE SCHEDULE \_\_\_\_\_  
NOTES \_\_\_\_\_

# Backlit Flat Panel G2 Series



The WareLight back lit flat panel fixture adopts the latest in optical and LED technology for use in many applications. The fixture provides a single pleasant soft light that fills any interior space, giving it a larger, brighter, and more productive feel.

## Specifications WL-BLFP-1x4

CRI (Color Rendering Index)	>80	Ratings & Certifications	cULus, Damp Locations, IC Rated
Light Source	LED	Dimmable	0-10V Dimmable *with sensor and remote only
Lens	Polycarbonate, PMMA	Lifespan	L70 > 100,000
Color Temperature	3500K-4000K-5000K Select	Mounting Options	Recess ceiling (grid or drop down ceiling)
Wattage	Select 20w-25w-30w	Operating Temperature	-20° C to 50° C (-4° F to 122° F)
LPW	125	Lumens	2500 – 3125 -3750
Housing	Extruded Aluminum	Voltage	120-277v
Product Weight	4.74 lbs. 6.36 lbs. w/EM	Product Dimensions	47.8 L x 11.9 W x 1.5 H 47.8 L x 11.9 W x 1.7 H w/EM
Finish	White	Warranty	5-year





INDUSTRIAL AND COMMERCIAL  
LIGHTING MFR SINCE 2003

PROJECT NAME \_\_\_\_\_  
ITEM # \_\_\_\_\_  
FIXTURE SCHEDULE \_\_\_\_\_  
NOTES \_\_\_\_\_

## Order Information

Haven G3			Example: WL-BLFP-2x2-CWT-MV-FIEM-G2		
Series	Size	Color and Wattage Tunable	Voltage	Emergency Backup	Generation
<b>WL-BLFP</b>	1x4	<b>CWT</b> CCT/Watt Tunable	<b>MV</b> Universal Voltage 120-277v	Blank No emergency backup  <b>FIEM</b> Factory installed emergency backup	<b>G2</b>
	2x2				
	2x4	<b>CLWT</b> CCT/Watt Tunable			

## Dimensions

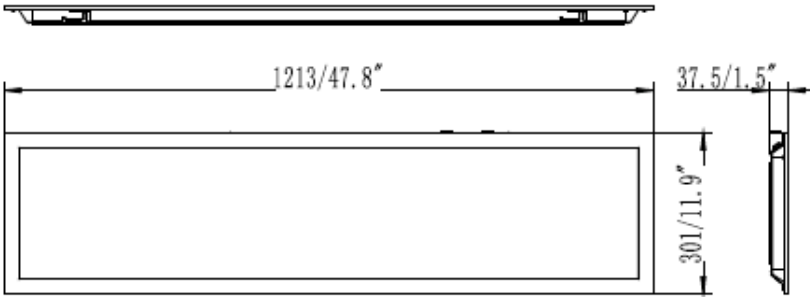
Item	Length	Width	Height	Weight
WL-BLFP-1X4-CWT-MV-G2	47.8"	11.9"	1.5"	4.74 lbs.
WL-BLFP-1X4-CWT-MV-FIEM-G2	47.8"	11.9"	1.7"	6.36 lbs.
WL-BLFP-2X2-CWT-MV-G2	23.7"	23.7"	1.5"	3.97 lbs.
WL-BLFP-2X2-CWT-MV-FIEM-G2	23.7"	23.7"	1.7"	5.59 lbs.
WL-BLFP-2X4-CLWT-MV-G2	47.8"	23.7"	1.5"	8.38 lbs.
WL-BLFP-2X4-CLWT-MV-FIEM-G2	47.8"	27.7"	1.7"	10 lbs.

# WARELIGHT

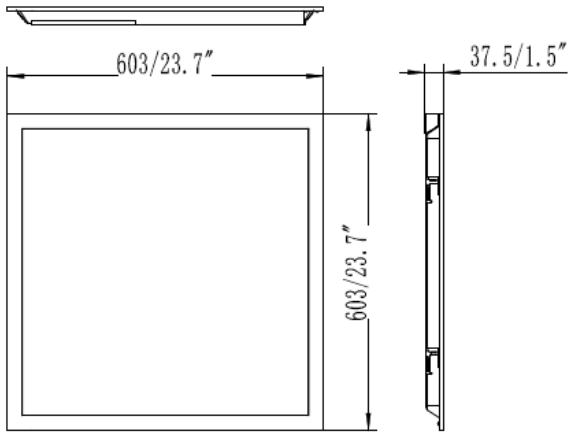


INDUSTRIAL AND COMMERCIAL  
LIGHTING MFR SINCE 2003

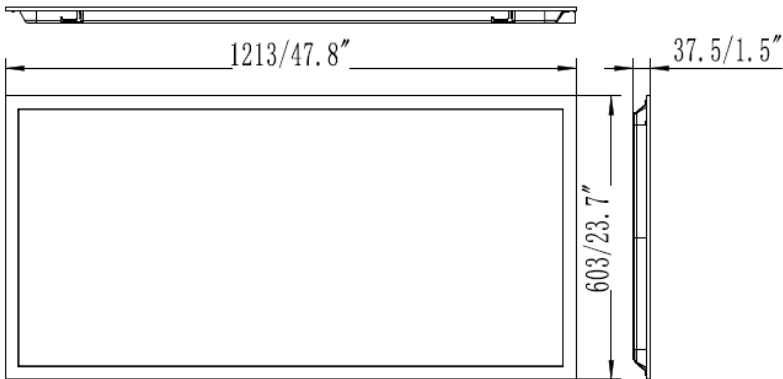
PROJECT NAME \_\_\_\_\_  
ITEM # \_\_\_\_\_  
FIXTURE SCHEDULE \_\_\_\_\_  
NOTES \_\_\_\_\_



**WL-BLFP-1X4**



**WL-BLFP-2X2**



**WL-BLFP-2X4**

## INTEGRATED LOW VOLTAGE DAYLIGHT HARVESTING/BI-LEVEL PIR MOTION SENSOR-IFS06R

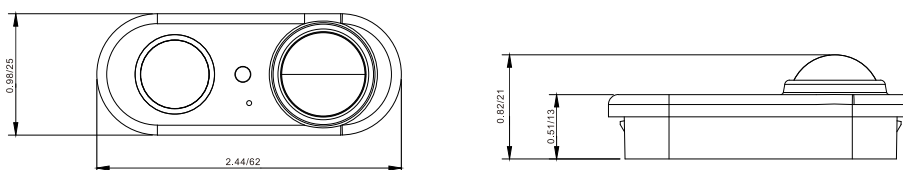


### PRODUCT OVERVIEW

#### INTEGRATED LOW VOLTAGE DAYLIGHT HARVESTING/BI-LEVEL PIR MOTION SENSOR-IFS06R

IFS06R is compact size PIR sensor combines occupancy sensing with photocell. When used with 0-10V dim-to-off LED drivers, it enables any lighting manufacturer to deliver sensor-equipped fixtures with minimal engineering effort. It operates on 12V DC which can be supplied by a LED driver, which will save OEM cost on manufacturer side. Different mode can be selected according to different applications through RM5 I IR remote controller. The integrated photocell can switch the lights on and off for dusk to dawn control, so that lighting remains on overnight even without motion detection. Under daylight harvesting mode, the auto-calibration function can control the amount of electric light by measuring the overall combined natural and electric light to achieve the desired light level. Support push button wire connection. Support super low profile luminaire.

### DIMENSION



### WIRING



### MODELS

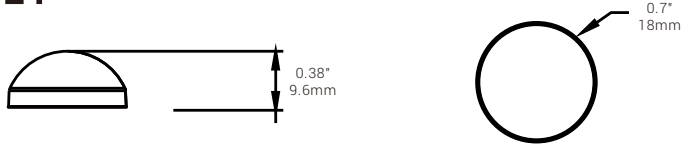
IFS06R, 12V DC

### SPECIFICATIONS AND FEATURES

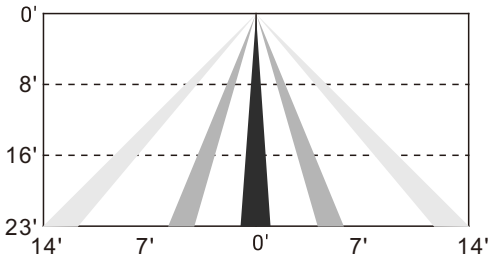
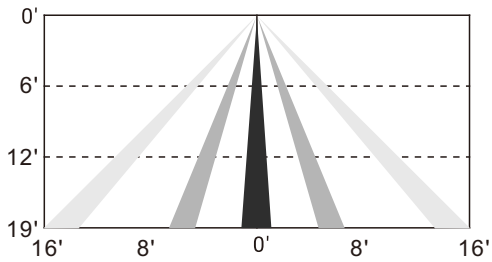
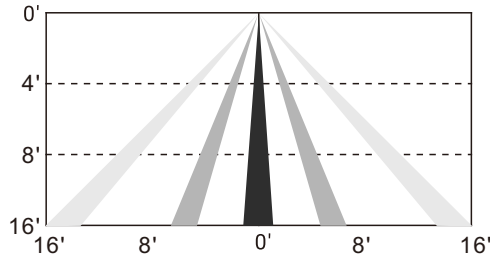
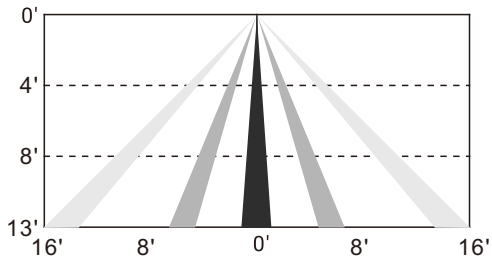
Input Voltage: 12V DC  
 Input Current: 9mA  
 Standby Power: 0.1W  
 Warranty: Five year warranty  
 Detection range: 32ft Max  
 Mounting height: 23ft Max  
 IP rate: IP20  
 Op. temperature: -30F~131F  
 (-30°C~55°C)  
 Fixture Die Cut: 20.8x64.8mm

## DIMENSIONS

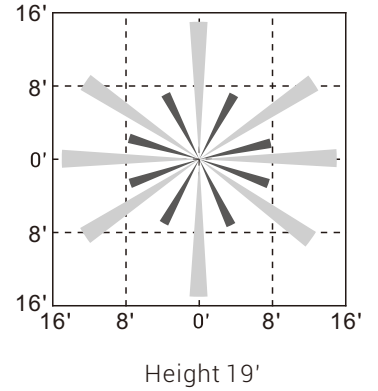
### LBL1



LBL1 Coverage Side View



LBL1 Coverage Top View

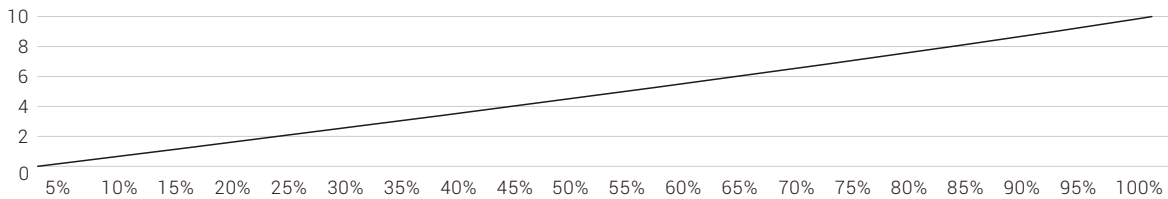


## DIMMING CURVE

Dimming Curve

0	0.5	1	1.5	2	2.5	3	3.5	4	4.5	5	5.5	6	6.5	7	7.5	8	8.5	9	9.5	10
0.001	0.5	1.01	1.51	2.01	2.51	3.02	3.52	4.03	4.53	5.04	5.54	6.05	6.54	7.05	7.55	8.06	8.55	9.07	9.56	9.97

Voltage



## REMOTE INSTRUCTION

### Memory Mode (Commissioning) To begin commissioning, follow the steps below:

1. Select either A, B, C, D.
  2. Indicator lights on the remote will flash to indicate the current saved settings.
  3. Settings can be configured by pressing appropriate buttons in the highlighted gray area of the remote. (TRIM-LEVEL, SENSITIVITY, HOLD TIME, STANDBY DIM, STANDBY TIME, and PHOTOCELL). Review selected settings and make changes as necessary.
  4. Point IR remote to desired luminaire for configuration and press "SEND".
  5. If configuration is successful, luminaire will flash two times suggesting settings are saved. Any parameter change to the current saved settings on A to F will override previous settings and will be automatically saved on the remote. If configuring multiple luminaires, select the configured memory mode A to E then follow steps 4 and 5.
- \*\*\* **E Mode** allows visual adjustment to choose the desired dimming Level.

### Continuous Adjustment Mode or Daylight Harvesting (F Mode)

#### Enables dimmability in response to daylight availability.

1. Point IR remote to desired luminaire
2. Press "ON" then press DIM+ or DIM- to adjust dimming level.
3. Press "F", indicator lights on the remote will indicate current saved settings. Note: only TRIM-LEVEL, SENSITIVITY, and HOLD TIME can be selected for Daylight Harvesting settings.
4. Review selected settings and make changes as necessary. Press "SEND".
5. If configuration is successful, luminaire will flash twice to confirm setting saved.  
If configuring multiple luminaires, select the configured DAYLIGHT HARVESTING settings then follow steps 4 and 5.

ON	Turns On Luminaires
OFF	Turns OFF Luminaires
TEST	Test mode will last 5 mins then return to previous setting Test mode will hold time 2 seconds SDL 50% and standby time 2 seconds
RESET	See below for factory settings highlighted in yellow
DIM+/-	Remote will manually dim luminaire up or down by increments of 0.5volts. Must be smooth dimming if holding dimming button.
TRIM-LEVEL	Set Maximum threshold value 50/75/100%(Default = 100%)
SENSITIVITY	OFF(PIR OFF Enter PC ON/OFF function)/LOW(50%)/HIGH (100%) (Default=HIGH)
HOLD TIME	(time of no occupancy after which fixture goes to stand by) 30s / 5min /15min / 30min (Default= 5min)
F MODE DAYLIGHT HARVESTING	(Enable/Disable) Measure and set feature to allow the fixture to maintain a light level. If turned ON. (Default = Disabled)
STANDBY DIM	Select any standby dim level 0/10/30/50% (Default=50%)
STANDBY TIME	Stand by time - 10s / 5min /15min / 30min / 1h / ∞. "∞" means the stand-by time is infinite and the fixture is effectively controlled by the daylight sensor) (Default=30min)
PHOTOCELL	LOW (1fc) MED (20fc) and HIGH (50fc) settings (Default = Disabled) CAL Collecting The current Lux Level
MODE	Set settings to a Program profile A to D
SEND	Send settings to sensor

