

| | |
|------------|----------|
| DATE: | PROJECT: |
| TYPE: | NOTES: |
| CATALOG #: | |

VT SERIES 4' VAPOR TIGHT 3600
 WITH 0-10V DIMMING
 Lumens 4120 | Efficacy 122

KEY FEATURES

ETi SSL's 4-FT Vapor Tight is designed with durable stainless-steel latches to prevent moisture and dirt from compromising the housing and damaging interior wires and components inside the fixture. Vapor Tights are weatherproof and rated IP65 as dust tight and protect against projected water.

CCT & Light Quality

- CCT 4000K
- 80+ CRI

Light Output & Efficacy

- 4120 Lumens
- Efficacy Rating 122
- 90.79% lumen maintenance @ 54,000 hours and projected L70 @ 60,000 hours

Dimming, Voltage, Controls

- 0-10V dimming to 10%
- Universal voltage (120-277V)
- BBU or OC sensor accessories available

SPECIFICATIONS

Construction

- Gray polycarbonate housing with stainless-steel latches
- Airtight seal prevents moisture and dirt from compromising the housing and damaging interior wires and components

Optics

- Non-yellowing high-impact resistant polycarbonate lens
- Frosted diffuser delivers even illumination and diminished glare

Installation

- Suspension and surface mounting kits included
- Link together up to 7 luminaires

Electrical

- 60,000 hour LEDs at L70 for reduced maintenance
- Operates at 120-277V, 50/60 Hz
- 0-10V dimmable driver, down to 10%

Warranty

5-Year Standard Warranty. See terms at: ETISSL.com/warranty/



Cord Grip Included

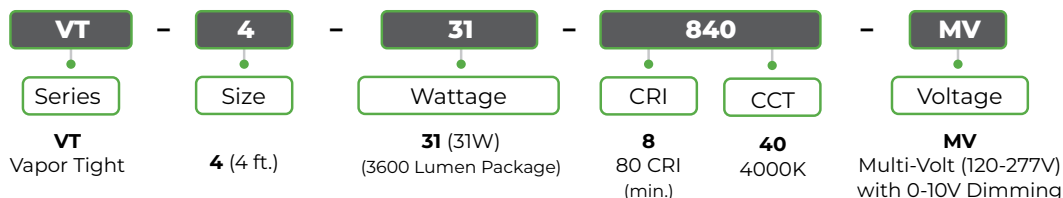
| KEY DATA | |
|-----------------------|--------------|
| Lumens | 4120 |
| Wattage | 33.71 |
| Efficacy (LPW) | 122 |
| Reported Life (Hours) | L70 / 60,000 |

Certifications & Test Data

- All luminaires are built to UL standards and have the appropriate UL labels and information on product
- Wet location—IP65 Rated
- Adheres to LM79, LM80, and TM21 industry standards for photometric, lumen maintenance and lifetime calculations
- DLC® (DesignLights Consortium) Listed. Please refer to DLC for specific product qualifications at www.designlights.org (See Page 2 for search info.)
- IC Rated
- Driver rated for FCC part 15 Class B for use in residential or commercial applications



CATALOG LOGIC





STANDARD STOCK ORDERING INFORMATION (typical 2-3 day shipment lead time)¹

| Catalog Part Number | Order Number | Description | Lumen Package | Delivered Lumens ² | Nominal Wattage | Efficacy | CCT | CRI | Voltage | Dim | DLC |
|---|--------------|-----------------------|---------------|-------------------------------|-----------------|----------|-------|-----|----------|-------|-----------------------------|
| <input type="checkbox"/> VT-4-31-840-MV | 54656241 | 4' Vapor Tight, 4000K | 3600 | 4120 | 31 | 122 | 4000K | 80+ | 120-277V | 0-10V | Standard Search: 546562##-2 |

Notes: 1. Stock SKUs typically ship in 24-48 hours upon receipt of an approved released order
 2. For more delivered lumens and test data see on page 3, or visit ETISSL.com


AVAILABLE STOCK ACCESSORIES (must be ordered separately, field installed)

Emergency LED Driver/BBU³ Not compatible with Motion Sensor

| Catalog Part Number | Order Number | Description | Details |
|---|--------------|---|---|
| <input type="checkbox"/> EMA40FY-170 | 70112201-2 | Square Emergency LED Driver BBU 40W, IP rated, 90 min |  BBU's certified in CA Title 20 MAEDBS Search: EMA25FY-170 INFORMATION |
| <input type="checkbox"/> EMUFO-40170-YY | 70114401-2 | Round Emergency LED Driver BBU 40W, IP rated, 90 min |  BBU's certified in CA Title 20 MAEDBS Search: EMA25FY-170 INFORMATION |

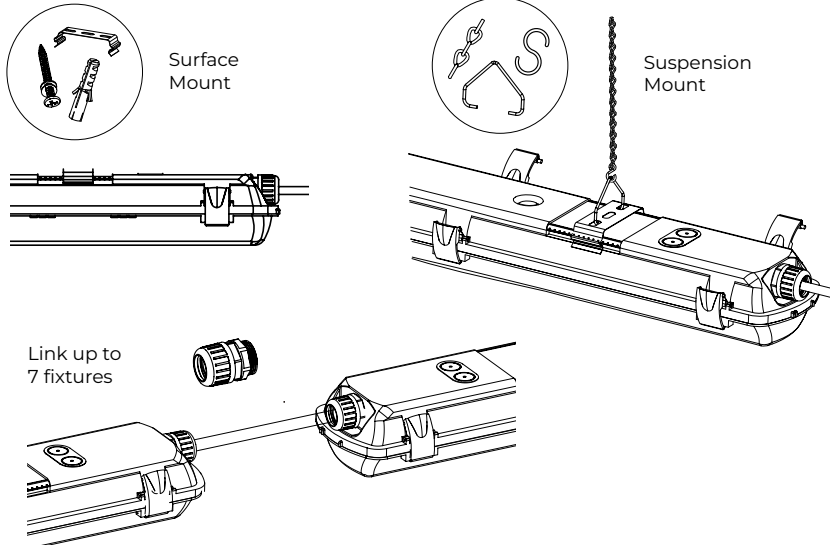
Notes:
 1. Multiply the LPW of specified SKU by BBU wattage for the approximate delivered lumens. (Ex. 127 LPW x 40-watts = approximately 5000 lumens)
 2. Luminaires also compatible with: 70112202-2 (25W, IP rated, 90 minutes, Square) and 70114402-2 (25W, IP rated, 90 minutes, Round)
 3. BBUs CANNOT be used or installed with Motion Sensor. Luminaire can be used with either BBU or Sensor. It is not compatible with both.

Motion Sensor^{1,2} Not compatible with Emergency LED Driver/BBU

| Catalog Part Number | Order Number | Description | Details |
|---------------------|--------------|--|---|
| MC601V | 90600144 | Internal Step Dimming Motion Sensor (Microwave with daylight sensor) |  SPEC SHEET DOWNLOAD (located on ETISSL.com) |

Notes: 1. Motion Sensor CANNOT be used or installed with BBUs. Luminaire can be used with either BBU or Sensor. It is not compatible with both.
 2. For factory installed sensor In fixture please view order numbers 54656241-I. [Download OC Sensor version Spec Sheet.](#)

MOUNTING

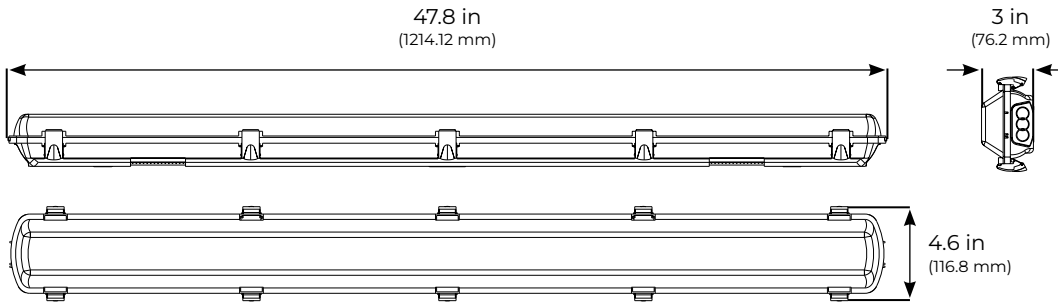


Included with the product



- Mounting Screws
- Dry Wall Anchors
- U Brackets
- V Clips
- Cord Grip
- 2 Suspension Chains
- S Hooks
- Wire Connectors

DIMENSIONS / DETAILS



Unit Weight
4.3 lbs

PERFORMANCE / Data

Lumen Maintenance

| Ambient Temp. | TM-21 Lumen Maintenance (54,000 hours) |
|---------------|--|
| 25° C (77° F) | > 90.79% |
| Ambient Temp. | TM-21 Theoretical L70 (hours) |
| 25° C (77° F) | 60,000 |

Load Information

| | |
|----------------------------------|----------------------------------|
| Power Factor | 0.90 |
| THD | < 20% |
| Frequency | 50/60 Hz |
| Sound Rating | < 20 Dba |
| Low Temp Start / Max Temp | -30° C (-22° F) / 45° C (113° F) |

PHOTOMETRIC SAMPLE

ETi
SOLID STATE LIGHTING

Luminaire Data: 4000K

| | |
|--------------------------|----------------------------------|
| CCT & CRI | 4000K, 80+ CRI |
| Initial Delivered Lumens | 4120 |
| Wattage | 33.71W |
| Efficacy | 122 |
| Beam Angle | 50% = 135.9° 10% = 163.6° |
| Spacing | 0° = 1.30 90° = 1.44 |

Photometric values based on tests performed in compliance with LM-63 & LM-79

Indoor Candela Plot

