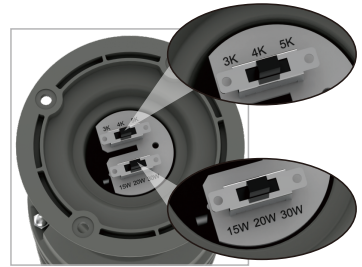


Vapor proof led light is with the design of steel cage, which makes the light more safer. With IP65, it can be applied to both dry and wet location. Metal wire pipe design use better protective wire rod, junction box, adopt traditional connection way with multi-direction for concatenation wire. The 90-180 adjustable angle enables it to fit for more applications, such as vertical installation and horizontal installation. This light fixture has advantages of wide lighting angles, high efficiency, no flickering, and long lifespan.

IMPORTANT SAFETY NOTICES:

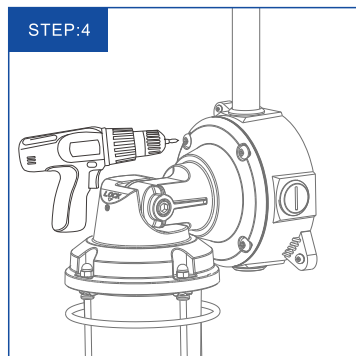
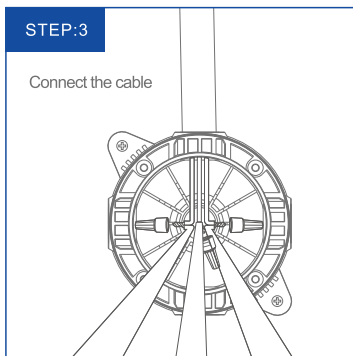
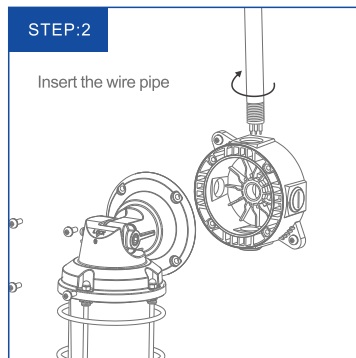
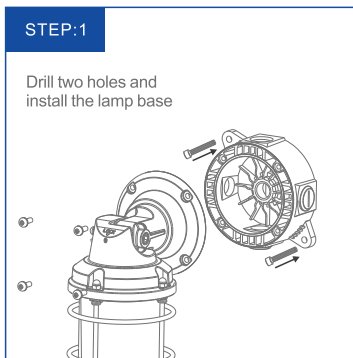
When using electrical equipment, basic safety precautions should always be followed
 WARNING:Operating temperature: -4° F to 113°F.
 WARNING:They are suitable for dry and wet locations.
 WARNING:This device can not be intended for use with emergency exits.
 WARNING:Turn off the power before installation.
 WARNING:The electrical rating of this product is 100-277V.
 Installer must confirm that there is 100-277V at the fixture before installation.



CCT Selectable: 3000K/4000K/5000K
Watt Selectable: 15W/20W/30W

What's in the box			
Screw: PM5*13	1 pc	Expansion screws	3 pcs
Screw: PA5*40	3 pcs	Bend Pipe	1 pc

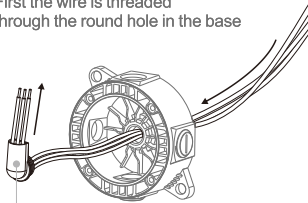
THE FIRST INSTALL METHOD



THE SECOND INSTALL METHOD

STEP:1

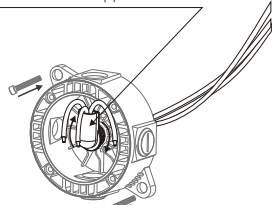
First the wire is threaded through the round hole in the base



When installed on the outdoor side wall, the inside bend pipe of this part can prevent water flow in from the wall seam

STEP:2

① Tighten the bottom hole mounting and aim it with the upper hole

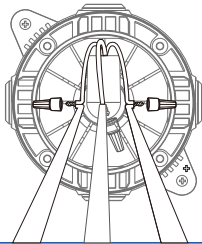
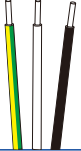


② Screw the base

STEP:3

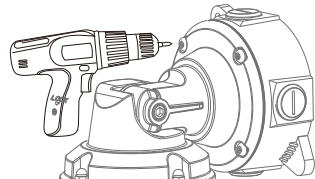
Connect the wire

GND N L

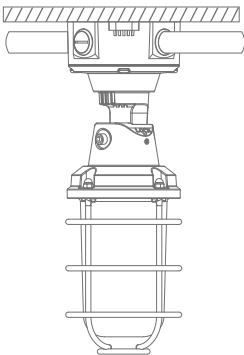


STEP:4

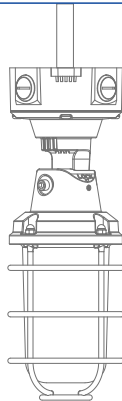
Tighten the screws



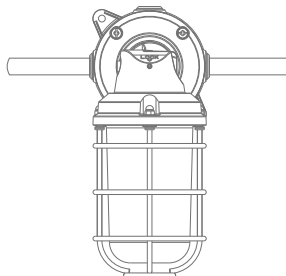
DIFFERENT INSTALLATION ORIENTATIONS



Mode 1



Mode 2



Mode 3



Mode 4

BASIC PARAMETERS:

Watt	Input	Light effect	Lamp Dimension (180°)	Lamp Dimension (90°)	Operating temperature
15W/20W/30W	100-277 Vac	95lm/w±5%	4.53x12.01in	6.18x10.12in	-4°F to 113°F