



# VIEWPOINT AREA LIGHT INSTALLATION INSTRUCTIONS

## ⚠ CAUTION

PLEASE READ INSTRUCTIONS BEFORE COMMENCING INSTALLATION AND RETAIN FOR FUTURE REFERENCE.  
Electrical products can cause death or injury, or damage to property. If in any doubt about the installation or use of this product, consult a competent electrician.

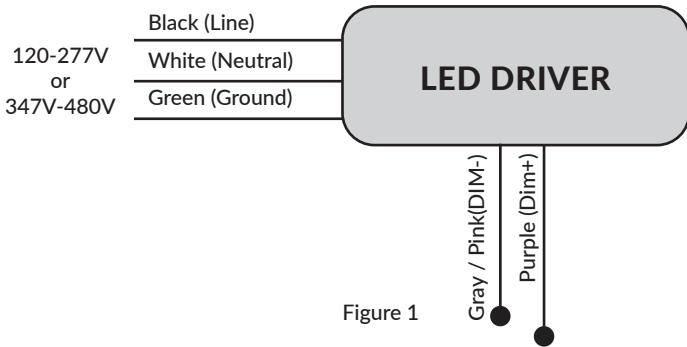
## ⚠ WARNING

To avoid the risk of fire, explosion, or electric shock, this product shall be installed, inspected, and maintained by a qualified electrician, in accordance with all applicable electrical codes.

## ⚠ WARNING

- To avoid electric shock:
- Be certain electrical power is OFF before and during installation or maintenance.
  - Luminaire must be connected to a wiring system with equipment-grounding conductor.
- To avoid explosion:
- Make sure the supply voltage is the same as the rated luminaire voltage.
  - Do not install where marked operating temperatures exceed the ignition temperature of the hazardous atmosphere.
  - Do not operate in ambient temperatures above those indicated on the luminaire.
  - Do not use any electric generator to power the LED fixture.

### General Wiring Diagram



Universal voltage driver permits operation at 120-277V / 347-480V\*, 50-60Hz.  
0-10V control wires must be rated for 300V minimum.  
For 0-10V Dimming, follow the wiring direction as in Figure 1.

1. Connect the black fixture lead to the (+) LINE supply lead.
2. Connect the white fixture lead to the (-) COMMON supply lead.
3. Connect the GROUND wire from fixture to supply ground. Do NOT connect the GROUND of the dimming fixture to the output.
4. Connect the purple fixture lead to the (V+) Dim lead.
5. Connect the gray / pink fixture lead to the (V-) Dim lead.

## Introduction:

This LED Area Light uses the latest in solid-state lighting technology for long life, low maintenance, and high efficiency.

- This luminaire can field adjust the brightness through the FAO rotary switch.
- The optical part is available for Type III, Type IV, Type V.
- The solid-state driver allows operation on nominal 120-277V / 347-480V, 50-60Hz AC supply without any variation in light output.

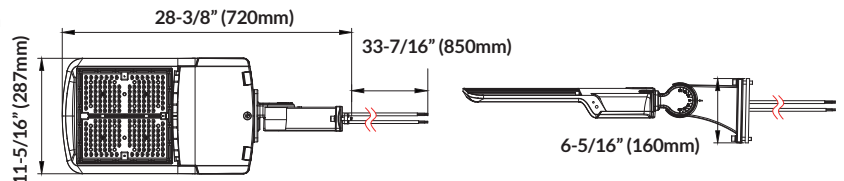
Suitable for use in the following locations:

- Ambient Temperature: -40°F to 122°F (-40°C to 50°C)
- Suitable for Wet Locations

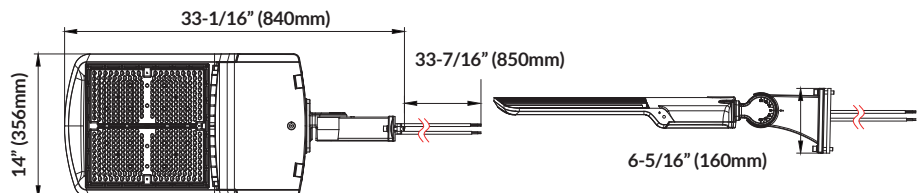
## Installation Instructions:

1. Read all Warnings and Installer Notes before proceeding with this installation.
2. Check to ensure all parts listed are included in your installation

**A** VAS-14L/17L/21L-XX-XX-XX-PMB



**B** VAM-21L/24L/28L-XX-XX-XX-PMB  
&  
VAM-33L/37L/42L-XX-XX-XX-PMB

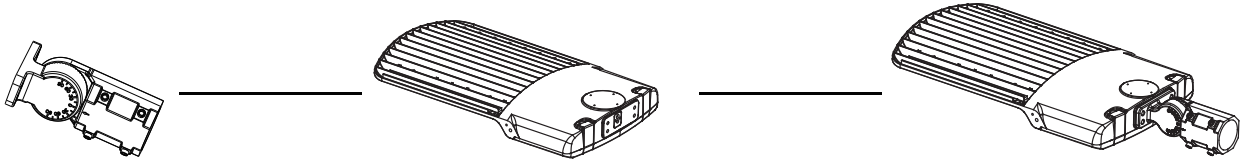




Optional Brackets:

Optional Slip Fitter brackets for VAS and VAM

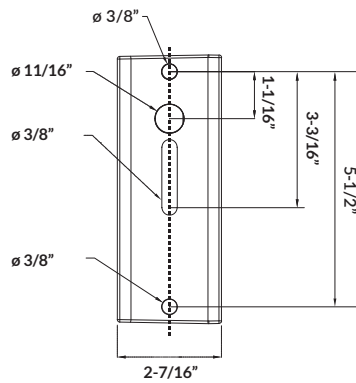
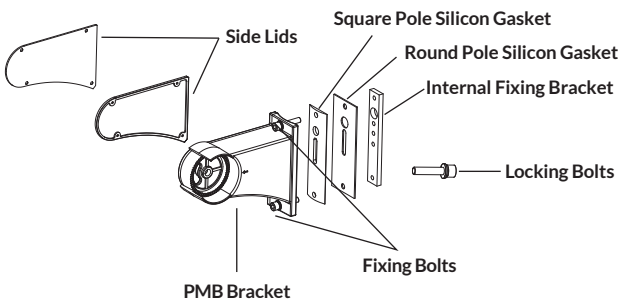
SLPF - 2-3/8"  
Adjustable Slip Fitter



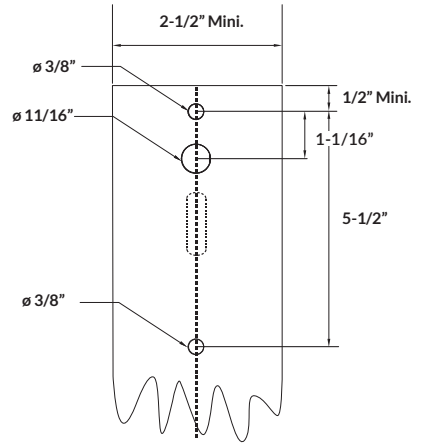
Installation Instructions:

TURN OFF POWER FROM MAIN CIRCUIT BREAKER

1. Standard Pole Mount Bracket (PMB) Mounting:



Fixing bracket dimensions

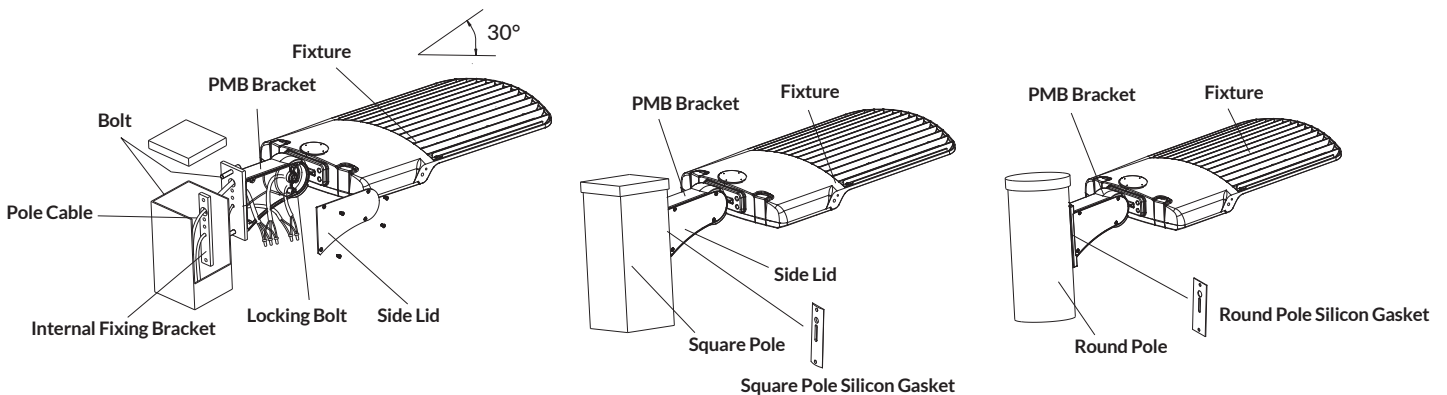


Pole drill template

Mounting the Fixture:

- Open the Side Lid of the bracket
  - Place the internal Fixing bracket inside the pole. Pass the pole cable through. Place the Pole Gasket between the pole and the PMB part B.
- Note: Use Square pole gasket for Square pole and use Round Pole gasket for round pole.

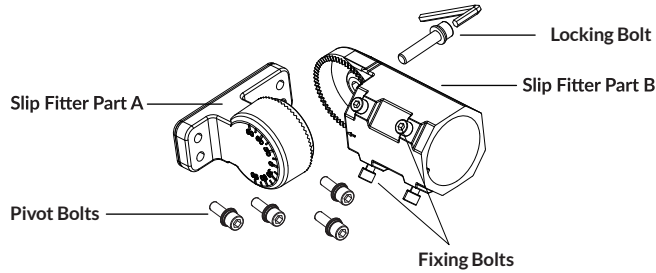
- Attached the PMB bracket to the internal fixing bracket using the fixing bolts.
  - To adjust the fixture angle loose the locking bolts and adjust to desired angle. Tighten back the locking bolt to secure it.
  - Make Appropriate wiring according to the "General Wiring Diagram" and tuck all the wires in the PMB. Close the side Lid and tighten it.
- Note: Adjustable angle is 0-30°





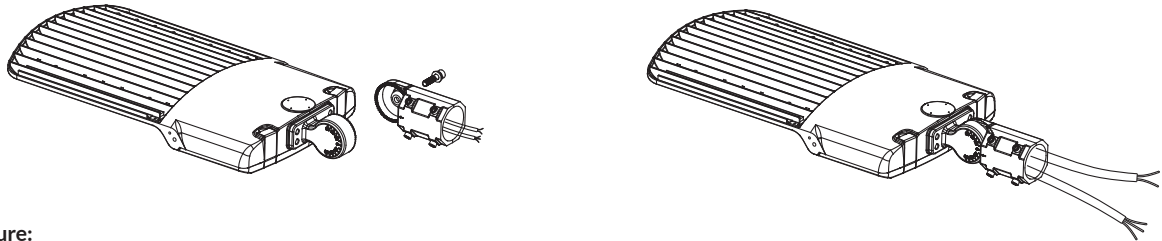
## Installation Instructions:

### 2. SLPF - 2-3/8" Adjustable Slip Fitter Mounting



#### Assembling the mounting bracket:

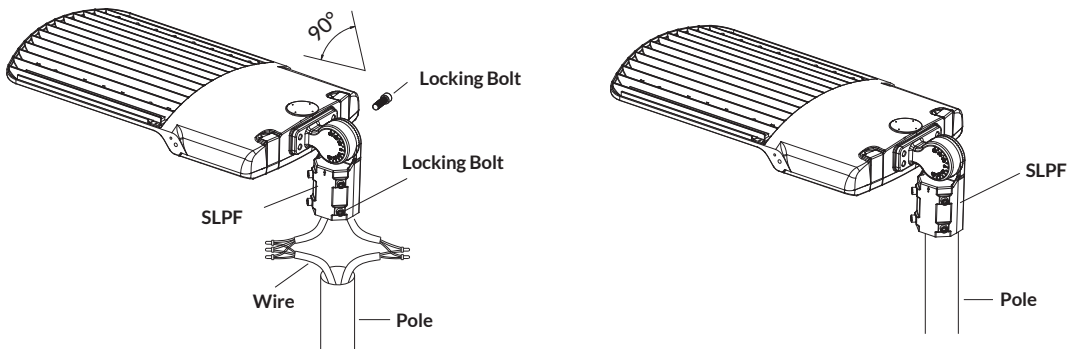
- Separate the Slip Fitter parts by unscrewing the Locking Bolt.
- Pass the input cable of the fixture through the Slip Fitter Part A and fix it to the fixture with Pivot Bolts. (Figure 1)
- Attach the Slip Fitter Part B and the Slip Fitter Part A and fasten the Locking Bolt. (Figure 2)



#### Mounting the Fixture:

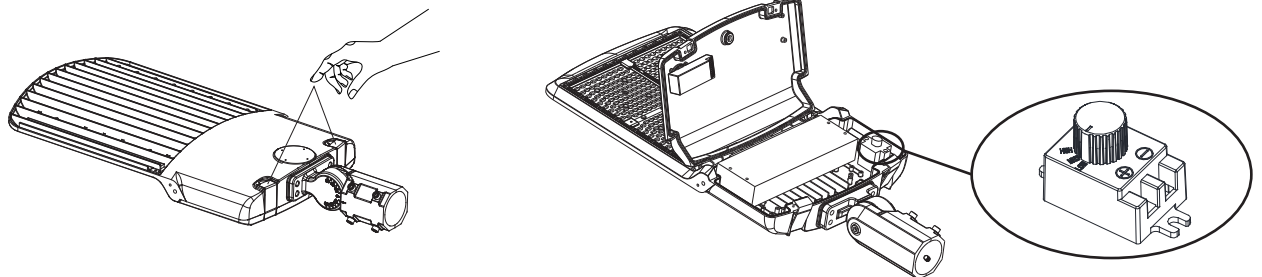
- Make Appropriate wiring according to the "General Wiring Diagram" and tuck all the wires in the pole.
- Insert Slip Fitter on the pole and fasten the Fixing Bolts.
- To adjust the fixture angle, loose the Locking Bolt and adjust the fixture to desired angle. Tighten the Locking Bolt to secure it.

Note: Adjustable angle is 0-90°



### 3. Instruction for Wattage Selectable

- Pull the latches and open the driver compartment.
- Adjust the FAO Rotary switch to desired Lumen Output.
- Close back the driver compartment and make sure to tighten and secure the latches.





# VIEWPOINT AREA LIGHT

## INSTALLATION INSTRUCTIONS

### Nominal Lumen Output Settings

Size	Model	Power/ Lumen	FAO-function					
			Low Lumen Output		Med Lumen Output		High Lumen Output	
			3000K	4000K/5000K	3000K	4000K/5000K	3000K	4000K/5000K
S size	VAS-14L/17L/21L-U-T4-PMB or SLPF	100W-125W-150W	13000	14000	16250	17500	19500	21000
	VAS-14L/17L/21L-HV-T4-PMB or SLPF							
M size	VAM-21L/24L/28L-U-T4-PMB or SLPF	150W-175W-200W	19500	21000	22750	24500	26000	28000
	VAM-21L/24L/28L-HV-T4-PMB or SLPF							
	VAM-33L/37L/42L-U-T4-PMB or SLPF	240W-270W-300W	31200	33600	35100	37800	39000	42000
	VAM-33L/37L/42L-HV-T4-PMB or SLPF							

### After Installation:

**AFTER INSTALLATION IS COMPLETE, PLEASE CHECK THE FOLLOWING:**

- Ensure the lighting fixture is firmly fixed.
- Ensure wires are connected correctly before applying power.
- At last, turn on the power, and check if the lighting fixture works properly. If not, turn off the power and contact your local dealer.

**WARNING: The luminaire shall be installed by qualified electrician.**

### Cleaning and Maintenance:

**CAUTION: Be sure fixture temperature is cool enough to touch. Do not clean or maintain while fixture is energized.**

- Clean lens & fixture with non-abrasive cleaning solution.
- Do not allow LED modules or other electronics to come into contact with water, solvents, or other chemicals
- Clean the diffuser only with a mild soap and water. Do not use solvents such as alcohol or bleach.
- Clean painted surfaces only with a mild soap, isopropyl alcohol, or acetic acid solution.