



# VALUE LANCE

## TROFFER RETROFIT KIT



407-478-3759  
www.ilp-inc.com

### FEATURES

- LED Retrofit Kit for recessed lighting applications
- One-piece unit with two universal mounting brackets
- Universal brackets allow for installation in grid or hard lid ceilings
- Average install time less than 3 minutes
- Frosted acrylic lens
- 2x2 & 2x4 sizes available
- Advanced Control option
- BAA Compliant option available
- 3500K & 4000K CCT
- >80 Color Rendering Index (CRI)
- Calculated L70>100,000 hours
- 0-10V Dimmable Driver (100% - 10%)
- 120-277V Universal Driver
- 5 Year Warranty (std); 10 Year Warranty Optional
- UL Classified for Damp Locations
- DesignLights Consortium® Premium Qualified Luminaire



### SUITABLE APPLICATIONS

- Education
- Healthcare
- Offices
- Hallways
- Multipurpose Rooms
- Conference Rooms

### ORDERING GUIDE:

Series	Lumens	Driver	CCT	BAA	WARRANTY
VLN22 Value LANCE Troffer Kit 2' x 2'	3L	U 120-277V	40	BLANK Non BAA	BLANK 5 Year
	4L		35	BAA <sup>5</sup> BAA Compliant	10YR <sup>6</sup> 10 Year
VLN24 Value LANCE Troffer Kit 2' x 4'	3L				
	4L				
	7L				

OPTIONS		CONTROLS	
Factory Installed		Advanced	
SR	Sensor Ready Driver	ES <sup>1,4</sup>	EasySense Sensor
DR	Dali Ready Driver	5E/CU/IL <sup>4</sup>	Enlighted 5E Individual Lighting (IL) Sensor w/ Control Unit
BLD	Bi-level Dimming Driver with 2 Hot Leads	5E/CU/CL <sup>4</sup>	Enlighted 5E Connected Lighting (CL) Sensor w/ Control Unit
FI/ILBCP05	5W LED Factory Installed Battery Backup	5E/CU/IOT <sup>4</sup>	Enlighted 5E Internet of Things (IOT) Sensor w/ Control Unit
FI/ILBCP05/HE	5W LED Factory Installed Battery Backup - CEC Title 20 Compliant	5E/5W/IL <sup>4</sup>	Enlighted 5E Individual Lighting (IL) Sensor w/ Aux Driver/5 Wire Connection
FI/ILBCP07	7W LED Factory Installed Battery Backup	5E/5W/CL <sup>4</sup>	Enlighted 5E Connected Lighting (CL) Sensor w/ Aux Driver/5 Wire Connection
FI/ILBCP07/HE	7W LED Factory Installed Battery Backup - CEC Title 20 Compliant	5E/5W/IOT <sup>4</sup>	Enlighted 5E Internet of Things (IOT) Sensor w/ Aux Driver/5 Wire Connection
FI/ILBCP10	10W LED Factory Installed Battery Backup	VDO <sup>2,4</sup>	Lutron Vive DFCSJ-OEM-OCC (Daylight and Occupancy)
FI/ILBCP10/HE	10W LED Factory Installed Battery Backup - CEC Title 20 Compliant	VRF <sup>2,4</sup>	Lutron Vive DFCSJ-OEM-RF (Radio Frequency Only)
FI/ILBCP12	12W LED Factory Installed Battery Backup		
EM10/HE-SD <sup>7</sup>	12W LED Factory Installed Battery Backup		
<b>Ship With Accessories</b>			
		ES/PCD <sup>3</sup>	EasySense Pre-Programmed Control Device
		ES/WWS/DR	EasySense Dual Rocker Wireless Wall Switch

<sup>1</sup> Must be used with ES/PCD for commissioning  
<sup>2</sup> Must be used with SR Sensor Ready Driver

<sup>3</sup> One needed per project  
<sup>4</sup> View controls page for more detail (pg.3)

<sup>5</sup> Consult Factory  
<sup>6</sup> Contact Factory for more details

<sup>7</sup> CEC Title 20 Compliant

# VALUE LANCE

## TROFFER RETROFIT KIT



### QUICK SHIP ITEMS:

SERIES	LUMENS	DRIVER	CCT
VLN22 Value LANCE Troffer Kit 2' x 2'	3L	U 120-277V	40
	4L		35
VLN24 Value LANCE Troffer Kit 2' x 4'	3L		
	4L		
	7L		

## LED SYSTEMS INFO

PART NUMBER	LUMENS	WATTS	EFFICACY	REPLACES	DLC LISTING
VLN22-3L-U-40	3,284 lm	25 W	133 lm/W	2T8	Standard
VLN22-4L-U-40	4,491 lm	35 W	129 lm/W	3T8	Standard
VLN24-3L-U-40	3,369 lm	25 W	137 lm/W	2T8	Premium
VLN24-4L-U-40	4,582 lm	35 W	132 lm/W	3T8	Premium
VLN24-7L-U-40	6,731 lm	53 W	129 lm/W	4T8	Standard

LED System data above was tested at 120V on VLN22-3L-U-40, VLN22-4L-U-40, VLN24-3L-U-40, VLN24-4L-U-40 & VLN22-7L-U-40.

PART NUMBER	LUMENS	WATTS	EFFICACY	REPLACES	DLC LISTING
VLN22-3L-U-35	3,225 lm	25 W	132 lm/W	2T8	Standard
VLN22-4L-U-35	4,425 lm	35 W	128 lm/W	3T8	Standard
VLN24-3L-U-35	3,310 lm	24 W	136 lm/W	2T8	Standard
VLN24-4L-U-35	4,515 lm	35 W	131 lm/W	3T8	Standard
VLN24-7L-U-35	6,637 lm	52 W	128 lm/W	4T8	Standard

LED System data above was tested at 120V on VLN22-3L-U-35, VLN22-4L-U-35, VLN24-3L-U-35, VLN24-4L-U-35 & VLN22-7L-U-35.

## SPECIFICATIONS

### CONSTRUCTION

Post painted white steel body for maximum rigidity and durability. One-piece unit with two universal mounting brackets for quick and easy installation into grid and hard-lid ceilings.

### ELECTRICAL

Class 2 LED light engine for high efficacy and long life. Calculated L70 > 100,000 hours. LED Lumen Maintenance Estimates based on TM-21 projections for the light source at 25°C ambient. Power Factor > 0.90. Standard 120-277 Vac 0-10V dimmable (10%-100%). Optional Sensor Ready and DALI ready drivers for pairing with controls and integrated controls networks.

### MOUNTING

One-piece door frame light engine with two universal mounting brackets for easy installation. The one-piece door frame can be hinged to the universal mounting brackets for the completion of installation. See page 3 for step-by-step troffer kit installation instructions.

### WARRANTY

5 Year Warranty Standard; 10 Year Warranty Optional ([Terms and Conditions apply](#)).

### OPTICS

Standard PMMA frosted acrylic volumetric lens for durability and LED glare reduction. Removeable lens for easy access to LED boards and maintenance.

### TROFFER COMPATIBILITY

VLN is designed to fit into most existing parabolic and lensed troffers with a housing depth of 3 1/8" or greater. ILP recommends a test installation prior to ordering project quantities. Contact factory for additional troffer compatibility confirmation. VLN maintains insulation contact (IC) rating of existing fixture.

### CONTROLS

Factory installed Advanced integral EasySense option available. Sensor mounts within the body of the fixture.

### CERTIFICATIONS

UL Classified to US and Canadian safety standards. Suitable for damp locations. DLC (DesignLights Consortium) Premium Qualified. Please refer to the DLC Qualified Products List at [www.designlights.org/QPL](http://www.designlights.org/QPL) to confirm specific product qualifications.

# VALUE LANCE

## TROFFER RETROFIT KIT

### ADVANCED CONTROLS OPTIONS

#### EASYSense

##### ES

EasySense sensor combines occupancy sensing, daylight harvesting & institutional tuning in one compact solution. This is an ideal control for any commercial application. Each sensor allows you to turn on/off occupancy and/or daylight harvesting functions as well as set the full light output, background light level, occupancy prolong time, occupancy grace fading time and occupancy time out/hold time. Requires the use of EasySense Pre-Programmed Control Device (ES/PCD), or approved phone from compatibility list; one needed per project.



##### ES/PCD

Pre-Programmed EasySense Control Device. One needed per project. Sensor can also be programmed with the approved compatible cell phone (listed below).

##### Compatible Cell Phones:

- LG G4
- Samsung S5
- Samsung Note 4
- Samsung S4 Mini
- Samsung S6
- Samsung Note Edge 1
- Samsung S4

##### ES/WWS/DR

Optional Wireless / Batteryless Dual Rocker Wall Switch. Up to 100ft range. Functions include: On/Off, dimming and setting of (2) scenes for full room control.

##### Specifications:

- Wireless
- ZigBee®
- Batteryless
- 30-100ft Range
- Dual Rocker

##### Functions:

1. On (Hold to brighten up)
2. Off (Hold to dim down)
3. Scene 1
4. Scene 2



#### LUTRON

##### VDO

Vive DFCSJ-OEM-OCC integral fixture control sensor with daylight & occupancy. Vive provides intuitive programming allowing for maximum flexibility with wireless communication & sensing as desired. Provided with factory installed components only. Lutron system provided by others. Sensor must be used in conjunction with Pico Switch/Dimmer. Cannot be used in conjunction with mechanical on/off power switch. Contact factory for more information.



##### VRF

Vive DFCSJ-OEM-RF integral fixture control with Radio Frequency (RF) communication. Vive provides intuitive programming allowing for maximum flexibility with wireless communication as desired. Providing with factory installed components only. Lutron system provided by others. Sensor must be used in conjunction with Pico Switch/Dimmer. Cannot be used in conjunction with mechanical on/off power switch. Contact factory for more information.



#### ENLIGHTED

##### 5E/CU/IL

Bundled System with Enlighted 5E sensor (SU-5E-IL), Control Unit (CU-4E-FM) and Cable (CBL-5E-CU4-30N). Fixtures are controlled based on occupancy & ambient light. Includes ability to group fixtures together and connect to a switch to zone fixtures for group operation. Provided with factory installed components only. Enlighted system provided by others. Contact factory for more information.



##### 5E/CU/CL

Bundled System with Enlighted 5E sensor (SU-5E-CL), Control Unit (CU-4E-FM) and Cable (CBL-5E-CU4-30N). Fixtures are controlled based on occupancy and ambient light. Includes individual lighting control plus connection to Enlighted Energy Manager. The Energy Manager provides data analysis for all data collected by the Enlighted Smart Sensors for energy, occupancy and environment. Provided with factory installed components only. Enlighted system provided by others. Contact factory for more information. (see image above)

##### 5E/CU/IOT

Bundled System with Enlighted 5E sensor (SU-5E-IOT), Control Unit (CU-4E-FM) and Cable (CBL-5E-CU4-30N). Fixtures are controlled based on occupancy and ambient light. Includes individual lighting control plus connection to Enlighted Energy Manager. Energy Manager provides data analysis for all data collected by Enlighted Smart Sensors for energy, occupancy & environment. Additionally, the IOT functionality takes the data access and function beyond just lighting to a wide range of applications beyond the standard connected lighting controls. Provided with factory installed components only. Enlighted system provided by others. Contact factory for more information. (see image above)

##### 5E/5W/IL

Bundled System with Enlighted 5E sensor (SU-5E-IL) & Cable (CBL-5E-CU4-30N) paired with a driver with auxiliary power and 5 wire connection. Fixtures are controlled based on occupancy and ambient light. Includes ability to group fixtures together and connect to a switch to zone fixtures for group operation. Provided with factory installed components only. Enlighted system provided by others. Contact factory for more information. (see image above)

##### 5E/5W/CL

Bundled System with Enlighted 5E sensor (SU-5E-CL) & Cable (CBL-5E-CU4-30N) paired with a driver with auxiliary power & 5 wire connection. Fixtures are controlled based on occupancy and ambient light. Includes individual lighting control plus connection to Enlighted Energy Manager. The Energy Manager provides data analysis for all data collected by the Enlighted Smart Sensors for energy, occupancy and environment. Provided with factory installed components only. Enlighted system provided by others. Contact factory for more information. (see image above)

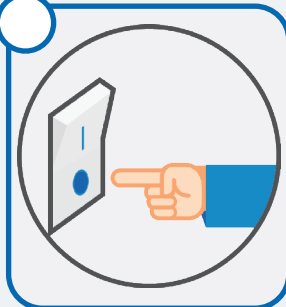
##### 5E/5W/IOT

Bundled System with Enlighted 5E sensor (SU-5E-IOT) & Cable (CBL-5E-CU4-30N) paired w/ a driver w/ auxiliary power and 5 wire connection. Fixtures are controlled based on occupancy & ambient light. Includes individual lighting control plus connection to Enlighted Energy Manager. The Energy Manager provides data analysis for all data collected by Enlighted Smart Sensors for energy, occupancy & environment. Additionally, the IOT functionality takes the data access and function beyond just lighting to a wide range of applications beyond the standard connected lighting controls. Provided with factory installed components only. Enlighted system provided by others. Contact factory for more information. (see image above)

# VALUE LANCE

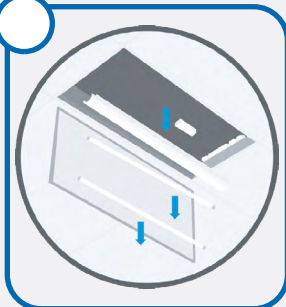
## TROFFER RETROFIT KIT

### TROFFER KIT INSTALLATION INSTRUCTIONS



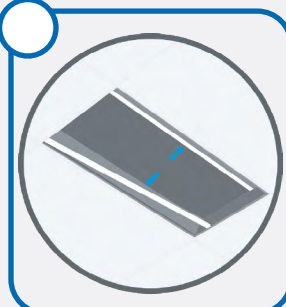
**STEP 1**

Shut off or disconnect power to the fixture.



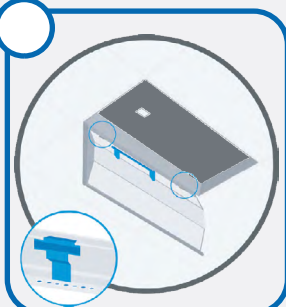
**STEP 2**

Remove existing fluorescent lamps and components, then disconnect existing connections to the fluorescent ballast.



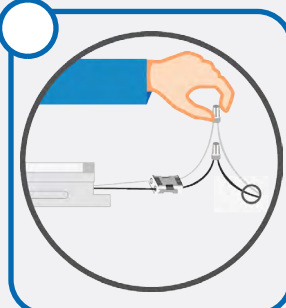
**STEP 3**

Gently lift the original housing and insert the brackets between the housing and the T-grid. Allow the housing to rest on the brackets, securing them in place. Optional tether included on the mounting brackets to secure the kit to the housing.



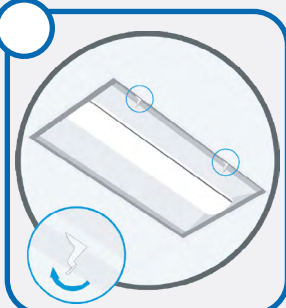
**STEP 4**

Hang the Value LANCE body by hooking the T-hinges into the respective slots in the bracket.



**STEP 5**

Connect the Value LANCE to AC power and ground.



**STEP 6**

Rotate the Value LANCE body up into the fixture and close the latches. Turn on or reconnect power to the fixture to complete the installation.

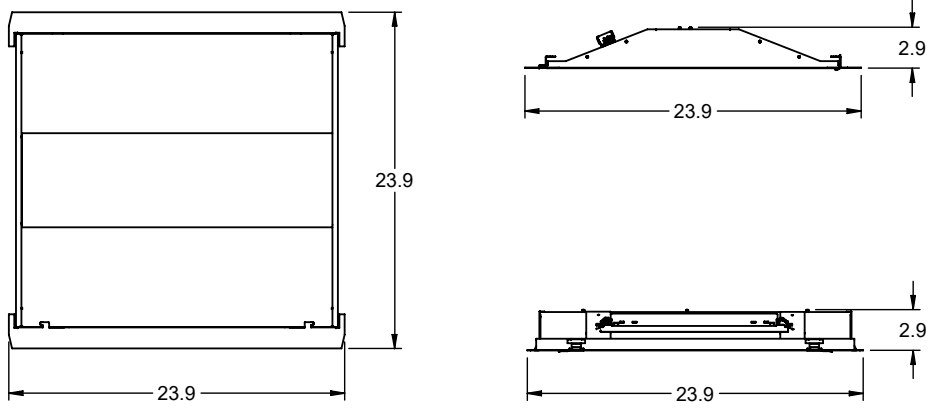
ILP recommends a test installation prior to ordering project quantities.

# VALUE LANCE

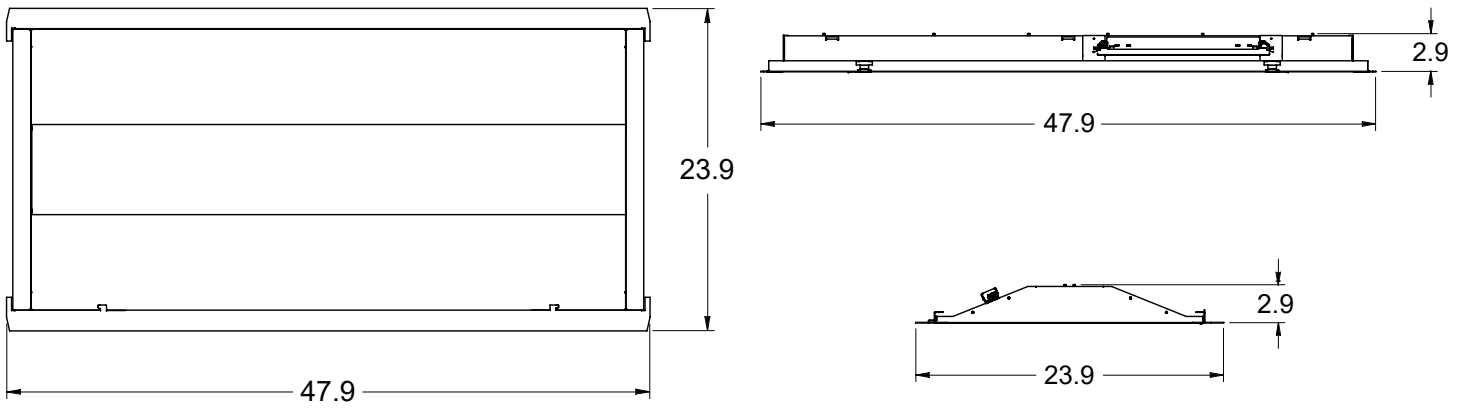
## TROFFER RETROFIT KIT

### LINE DRAWINGS

2 x 2 Dimensions



2 x 4 Dimensions



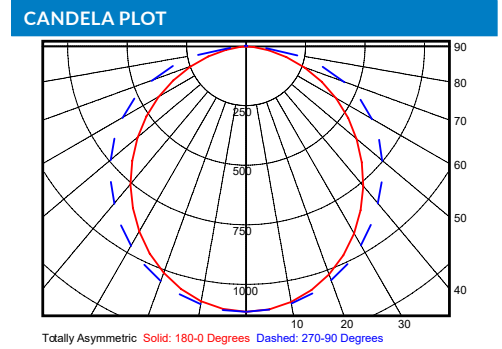
# VALUE LANCE

## TROFFER RETROFIT KIT

### PHOTOMETRIC DATA

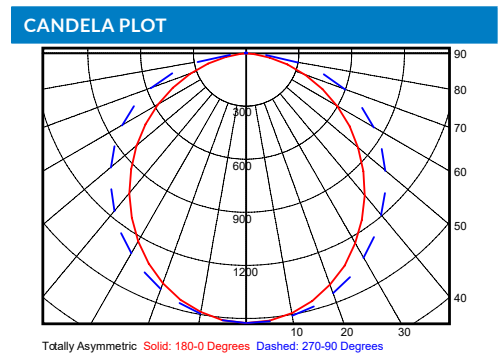
LUMINAIRE DATA	
Part Number	VLN22-3L-U-40
Description	Value LANCE Troffer Kit, 2'x2', 3000lm, 4000K
Fixture Lumens (lm)	3,295 lm
Wattage (W)	25 W
Efficacy (lm/W)	134 lm/W
Mounting	Recessed
Spacing Criteria	0° = 1.22, 90° = 1.30

ZONAL LUMEN SUMMARY		
Zone	Lumens (lm)	% Fixture
0° - 40°	1,410	43%
0° - 60°	2,516	76%
0° - 90°	3,288	100%
90° - 180°	4	0%
0° - 180°	3,292	100%



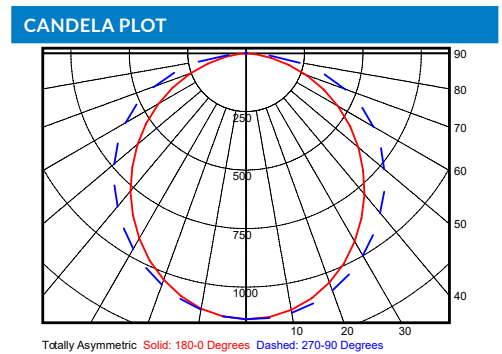
LUMINAIRE DATA	
Part Number	VLN22-4L-U-40
Description	Value LANCE Troffer Kit, 2'x2', 4000lm, 4000K
Fixture Lumens (lm)	4,511 lm
Wattage (W)	35 W
Efficacy (lm/W)	129 lm/W
Mounting	Recessed
Spacing Criteria	0° = 1.22, 90° = 1.32

ZONAL LUMEN SUMMARY		
Zone	Lumens (lm)	% Fixture
0° - 40°	1,929	43%
0° - 60°	3,441	76%
0° - 90°	4,500	100%
90° - 180°	8	0%
0° - 180°	4,507	100%



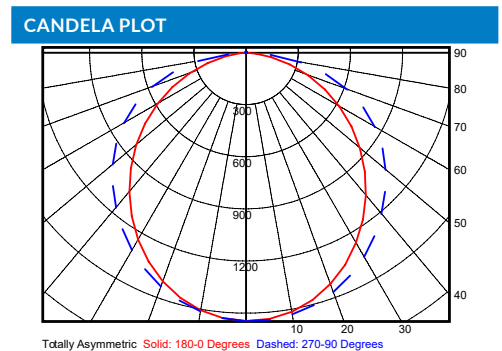
LUMINAIRE DATA	
Part Number	VLN24-3L-U-40
Description	Value LANCE Troffer Kit, 2'x4', 3000lm, 4000K
Fixture Lumens (lm)	3,375 lm
Wattage (W)	25 W
Efficacy (lm/W)	137 lm/W
Mounting	Recessed
Spacing Criteria	0° = 1.22, 90° = 1.32

ZONAL LUMEN SUMMARY		
Zone	Lumens (lm)	% Fixture
0° - 40°	1,437	43%
0° - 60°	2,564	76%
0° - 90°	3,368	100%
90° - 180°	5	0%
0° - 180°	3,373	100%



LUMINAIRE DATA	
Part Number	VLN24-4L-U-40
Description	Value LANCE Troffer Kit, 2'x4', 4000lm, 4000K
Fixture Lumens (lm)	4,590 lm
Wattage (W)	35 W
Efficacy (lm/W)	132 lm/W
Mounting	Recessed
Spacing Criteria	0° = 1.22, 90° = 1.32

ZONAL LUMEN SUMMARY		
Zone	Lumens (lm)	% Fixture
0° - 40°	1,952	43%
0° - 60°	3,482	76%
0° - 90°	4,578	100%
90° - 180°	9	0%
0° - 180°	4,586	100%



LUMINAIRE DATA	
Part Number	VLN24-7L-U-40
Description	Value LANCE Troffer Kit, 2'x4', 7000lm, 4000K
Fixture Lumens (lm)	6,782 lm
Wattage (W)	52 W
Efficacy (lm/W)	129 lm/W
Mounting	Recessed
Spacing Criteria	0° = 1.22, 90° = 1.30

ZONAL LUMEN SUMMARY		
Zone	Lumens (lm)	% Fixture
0° - 40°	2,879	43%
0° - 60°	5,144	76%
0° - 90°	6,763	100%
90° - 180°	14	0%
0° - 180°	6,777	100%

