

UHX SERIES INDUSTRIAL LIGHTING

UHX-230W-MP-40K
UHX-230W-MP-50K

Customer Name: _____

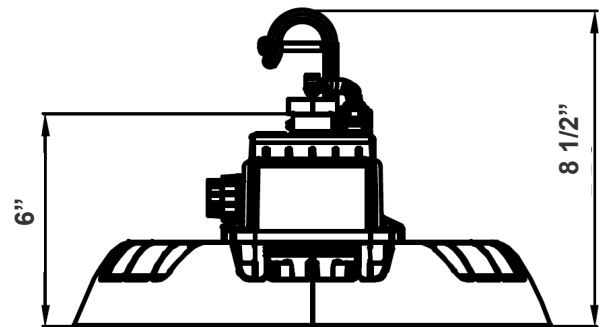
Project Name: _____

Note: _____

Type: _____



Selection:



8 1/2" (H) X 14 3/5" (D)

In a aluminium shell designed for heat dissipation, UHX is IP65 water resistant rated and ideal for general site lighting, alleys, loading docks, doorways, pathways, parking areas, warehouses and storage buildings.

Features

- Waterproof design, suitable for wet locations
- ADC12 Aluminum Heat Sink, Outdoor Powder Coating Finish
- Optical Lens: PC Materials High Light Transmittance, Anti-UV, Fire-Resistant
- Multi Power (Selectable Switch Located On The Driver Housing)

Technical Specifications

Electrical:

- Input Wattage: 100W/ 150W/ 200W/ 230W
- Input Voltage: 120-277V AC 50/60Hz
- Power Factor: >0.9
- THD: <20%
- Efficacy: 155/ 150/ 145/ 140 LPW

Mechanical:

- ADC12 Aluminum Heat Sink, Outdoor Powder Coating Finish
- Optical Lens: PC Materials High Light Transmittance, Anti-UV, Fire-Resistant
- LED: LUMILEDS 2835
- LED PCB Board: High Conductive, Waterproof, Aging Resistance, salt mist Resistance, Ensure the Safety and Long Lifespan
- Operating temperature: -40°F to 122°F
- IP rating: IP65, Wet Locations
- 5-Year Warranty

Lighting:

- Dimming: 0~10V
- Multi Power (Selectable Switch Located On The Driver Housing)
- Total Lumens: 15500/ 22500/ 29000/ 32200LM
- Color Temperatures: 4000K/ 5000K
- Color Rendering index: > 80
- Beam Angle: 90°
- Lifespan: 50,000 Hrs

Applications:

- Ideal for general site lighting, alleys, loading docks, doorway, pathway, parking areas, warehouses and storage buildings.



Lighting Supplier Since 2003

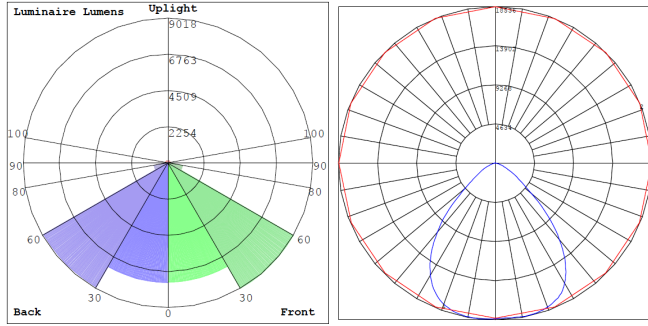


WAREHOUSE-LIGHTING.COM

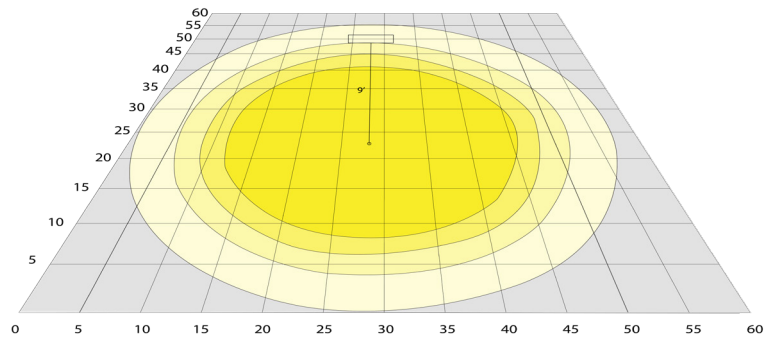
Warehouse-Lighting.com
2750 South 163rd St
New Berlin, WI 53151

Warehouse-Lighting.com
Phone: 888-454-4480
info@warehouse-lighting.com

Photometrics: UHX-230W-MP



BUG Rating: B5-U3-G1



Area 60'x 60' Mounting Height: 9'

Other Views:



Side View



Top View



Bottom View

Performance Table: UHX-230W-MP

MODEL NO.	Wattage	Voltage	Lumens	Color Temp	BUG Rating	LPW
UHX-230W-MP-40K	100W	120-277V	15500LM	5000K	B5-U3-G1	155
UHX-230W-MP-50K	150W		22500LM			150
UHX-230W-MP-50K	200W		29000LM			145
UHX-230W-MP-50K	230W		32200LM			140

Sample Ordering

Model Wattage Power Color Temp.

UHX - 230W - MP -

40K = 4000K
50K = 5000K

Accessory

- Blank = No Accessory
- HB-RING = HIGHBAY TOP RING ADAPTER, 1/2in
- HB-EB-50/75 = HIGHBAY EXPANSION BUSHING FROM 1/2in TO 3/4"
- UHX-SMB = UHX SERIES SURFACE MOUNTING YOKE BRACKET
- UHX-WG-A = UHX SERIES WIRE GUARD, FITS ON FIXTURES
- UHX-SC = UHX SERIES 22" SAFETY CABLE
- UHX-ALR-A = UHX SERIES ALUM. REFLECTOR
- UHX-PCR-A = UHX SERIES PRISMATIC PC REFLECTOR
- UHX-PCDC = UHX SERIES PC DROP LENS COVER FOR REFLECTORS
- UHX-PCC = UHX SERIES PC BOTTOM COVER FOR REFLECTORS
- UHX-FL-B = UHX SERIES REPLACEMENT FROSTED GLASS LENS

Factory-Installed Option:

- Blank = No Accessory
- OPT-EM-UHX = EXTERNAL EMERGENCY BACKUP BATTERY INSTALLED ON TOP OF THE FIXTURE
- OPT-HBC=125TL-BK = NEMA TWIST-LOCK PLUG 8FT, 15A, 125V, 16/3TL, BLK
- OPT-HBC=277TL-BK = NEMA TWIST-LOCK PLUG 8FT, 15A, 277V, 16/3TL, BLK
- OPT-HBC=125SB-BK = STRAIGHT BLADE PLUG 10FT, 15A, 125V, 18/3TL, BLK
- OPT-SEN-UHX = MICROWAVE BI-LEVEL SENSOR

Example:

1. UHX-230W-MP-50K
2. UHX-230W-MP-50K
HB-RING

(FOR UHX 230W MP FIXTURE 120-277V)
(FOR UHX 230W MP FIXTURE 120-277V)
(HIGHBAY TOP RING ADAPTER, 1/2in)

Lighting Supplier Since 2003



WAREHOUSE-LIGHTING.COM

Warehouse-Lighting.com
2750 South 163rd St
New Berlin, WI 53151

Warehouse-Lighting.com
Phone: 888-454-4480
info@warehouse-lighting.com

ACCESSORIES:



UHX-PCR-A
UHX SERIES
PRISMATIC PC
REFLECTOR



UHX-ALR-A
UHX SERIES ALUM
REFLECTOR



UHX-PCC
UHX SERIES PC
BOTTOM COVER FOR
REFLECTORS



UHX-PCDC
UHX SERIES PC DROP
LENS COVER FOR
REFLECTORS



HB-RING
HIGHBAY TOP RING
ADAPTER, 1/2in



HB-EB-50/75
HIGHBAY
EXPANSION
BUSHING FROM 1/2in
TO 3/4"



UHX-SMB
UHX SERIES SURFACE
MOUNTING YOKE
BRACKET



UHX-WG-A
UHX SERIES WIRE
GUARD, FITS ON
FIXTURES



UXH-FL-B
UHX SERIES REPLACEMENT
FROSTED GLASS LENS



UHX-SC
UHX SERIES 22"
SAFETY CABLE

FACTORY-INSTALLED OPTION:



OPT-HBC-125SB-BK
STRAIGHT BLADE PLUG 10FT, 15A,
125V, 18/3TL, BLK



OPT-HBC-125TL-BK
NEMA TWIST-LOCK PLUG 8FT, 15A,
125V, 16/3TL, BLK



OPT-HBC-277TL-BK
NEMA TWIST-LOCK PLUG 8FT, 15A,
277V, 16/3TL, BLK



OPT-EM-UHX
EXTERNAL EMERGENCY
BACKUP BATTERY INSTALLED
ON TOP OF THE FIXTURE
(The bracket can be painted)

Lighting Supplier Since 2003



WAREHOUSE-LIGHTING.COM

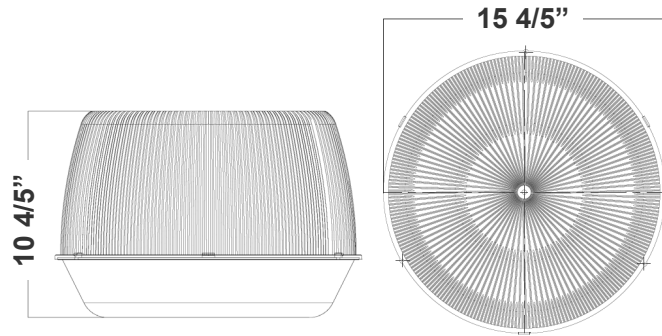
Warehouse-Lighting.com
2750 South 163rd St
New Berlin, WI 53151

Warehouse-Lighting.com
Phone: 888-454-4480
info@warehouse-lighting.com

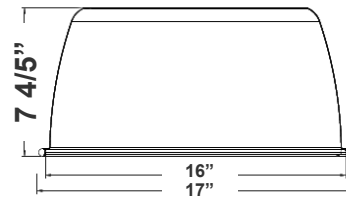
Dimensions:



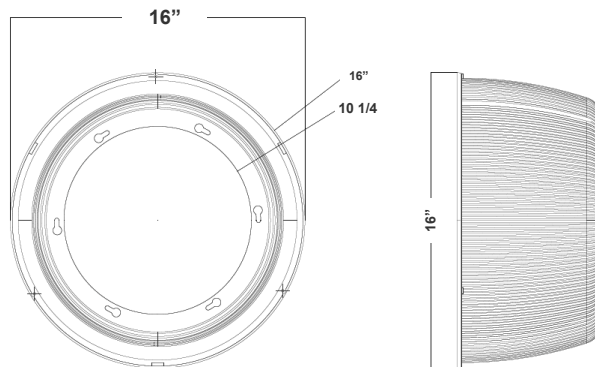
UHX-PCC
UHX SERIES PC BOTTOM COVER
FOR REFLECTORS



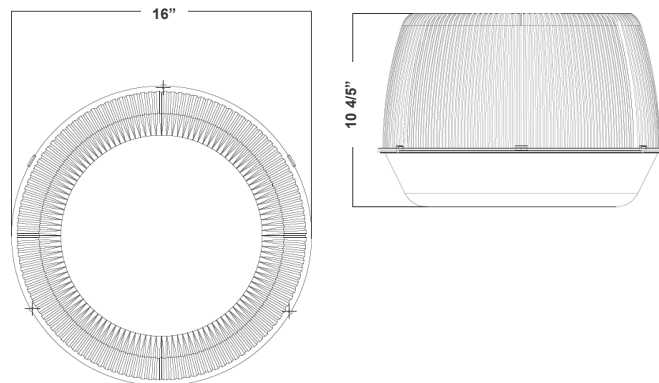
UHX-ALR-A
UHX SERIES ALUM. REFLECTOR



UHX-PCR-A
UHX SERIES PRISMATIC PC
REFLECTOR



UHX-PCDC
UHX SERIES PC DROP LENS
COVER FOR REFLECTORS



Lighting Supplier Since 2003



WAREHOUSE-LIGHTING.COM

Warehouse-Lighting.com
2750 South 163rd St
New Berlin, WI 53151

Warehouse-Lighting.com
Phone: 888-454-4480
info@warehouse-lighting.com